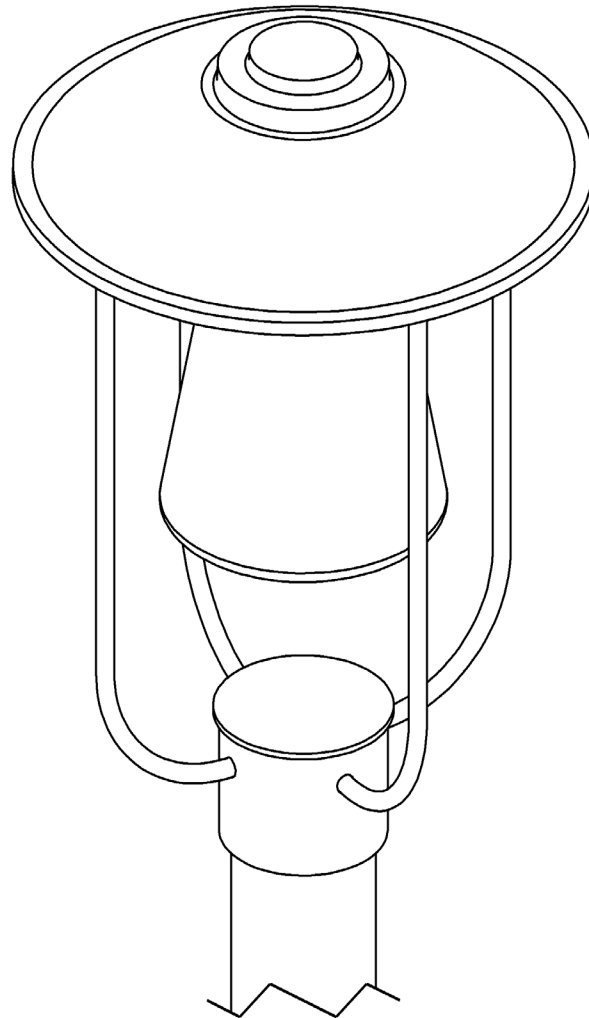


ASSEMBLY & INSTALLATION INSTRUCTIONS

G20

Erlenmeyer Post Light 347295



Component Parts

- A J Bolt**
- B Post**
- C Flat Washer (4)**
- D Split Washer (4)**
- E Hex Nut (4)**
- F Cover Cap (optional)**
- G Set Screw**
- H Fixture**
- I Socket**
- J Glass**
- K Ring**
- L Thumb Screws (4)**



ASSEMBLY & INSTALLATION INSTRUCTIONS

G20

Erlenmeyer Post Light 347295

CAUTION: FAILURE TO INSTALL THIS FIXTURE PROPERLY MAY RESULT IN SERIOUS PERSONAL INJURY OR DEATH AND PROPERTY DAMAGE. We recommend installation by a licensed electrician. This product must be installed in accordance with applicable installation code(s), by a person familiar with the construction and operation of the product and the hazards involved.*

Caution: Do not exceed maximum wattage noted on fixture. Use only recommended bulbs with fixture.

Please Note: After installation extra hardware and accessories are possible; our kits are used on multiple products.

To Install (Figure 1)

CAUTION: BE SURE POWER IS OFF AT THE MAIN BREAKER BOX PRIOR TO INSTALLATION.

NOTE: Fixture, Post and Cover Cap each sold separately.

SITE PREPERATION:

1. Run appropriate wiring to the site of the fixture, leaving enough excess wire to reach the top of the post, plus 12 inches.
2. Pour flat and level concrete base with wiring emerging at the center. Insert J bolts (A) so approximately 1" of the bolts are exposed above the concrete. Position J bolts according to the template on the last page of these instructions. Allow concrete to cure before installing fixture.

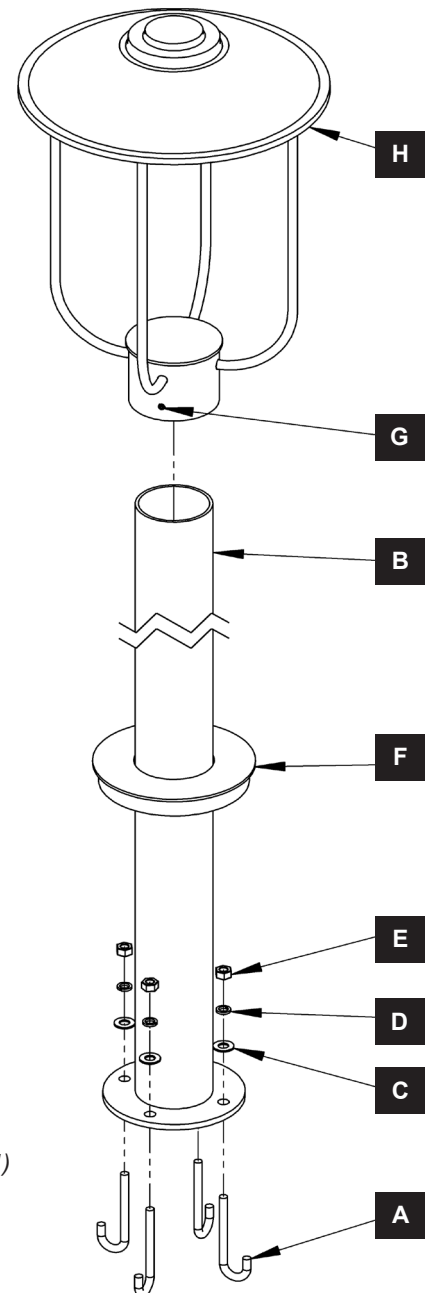
INSTALLATION:

NOTE: Post may be cut to desired height before installation.

3. Position post (B) over J bolts (A), feeding supply wire up though the post and secure using flat washers (C), split washers (D) and hex nuts (E).
4. Place optional cover cap (sold separately) (F) over post (B) to conceal mounting hardware.
5. Connect fixture wires to supply wires using appropriate wire connectors (not provided), black to black (or smooth), white to white (or ribbed) and bare copper or green to bare copper or green.

CAUTION: MAKE SURE WIRE CONNECTORS ARE TWISTED ON SECURELY AND NO BARE WIRE IS EXPOSED.

6. Place fixture (H) onto post (B), carefully tucking all wiring down into post and making sure no wires are pinched between the post and the fixture. Secure with set screw (G).
7. Follow steps on next page to install glass.



(Figure 1)

Erlenmeyer Post Light 347295

To Install Glass (Figure 2)

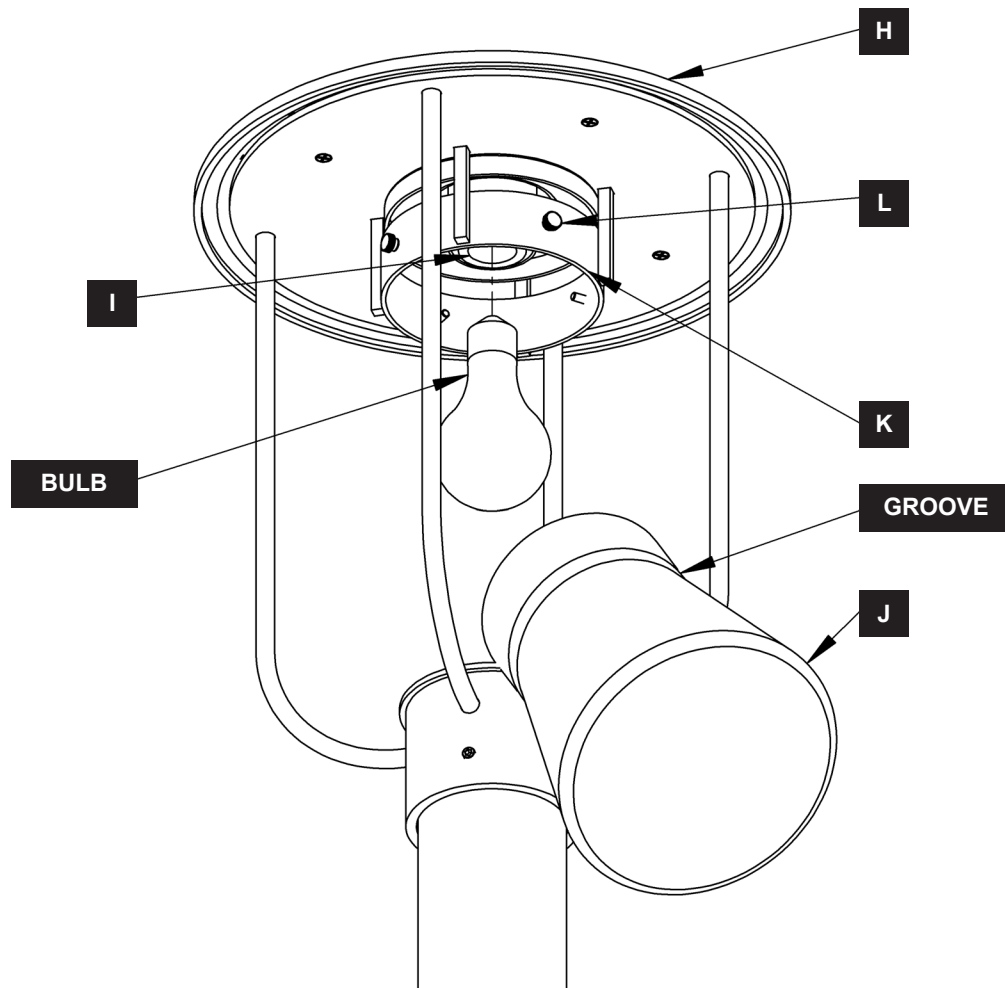
1. Unpack glass (J).
2. Install bulb (not included) into socket (I).
3. Tilt glass (J), slip through bars on fixture (H), over bulb and up into ring (K).
4. Align groove in glass (J) with thumb screws (L) in ring (K).

Note: It may be necessary to unthread thumb screws to allow glass to slide into ring. Thumb screws will not need to be completely removed.

5. Tighten thumb screws (L) evenly into groove of glass (J) to secure it in fixture (H).

Note: Be sure not to overtighten screws as this could break glass.

6. Restore electricity at main breaker.



(Figure 2)

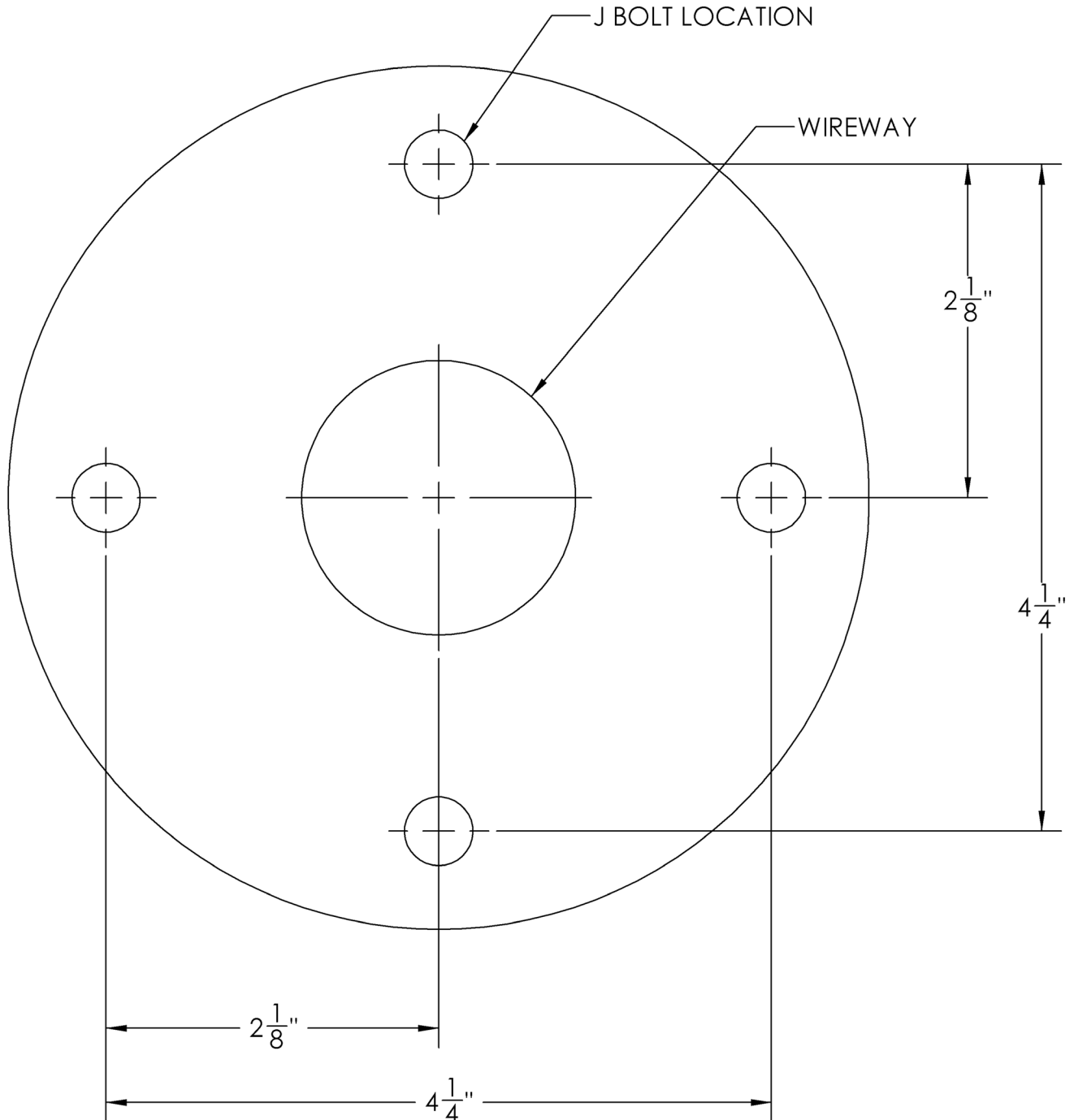


ASSEMBLY & INSTALLATION INSTRUCTIONS

G20

Erlenmeyer Post Light 347295

USE THIS TEMPLATE TO POSITION J BOLTS AND WIREWAY IN CONCRETE SLAB PRIOR TO INSTALLING OUTDOOR POST MOUNTED LIGHTING FIXTURE.



If you need further assistance, or find that you are missing any parts, please contact the dealer from which you purchased this product. We hope you enjoy your fixture!

*** Hubbardton Forge will not be liable for injury or damage caused by improper installation, lamping or use of this fixture.**