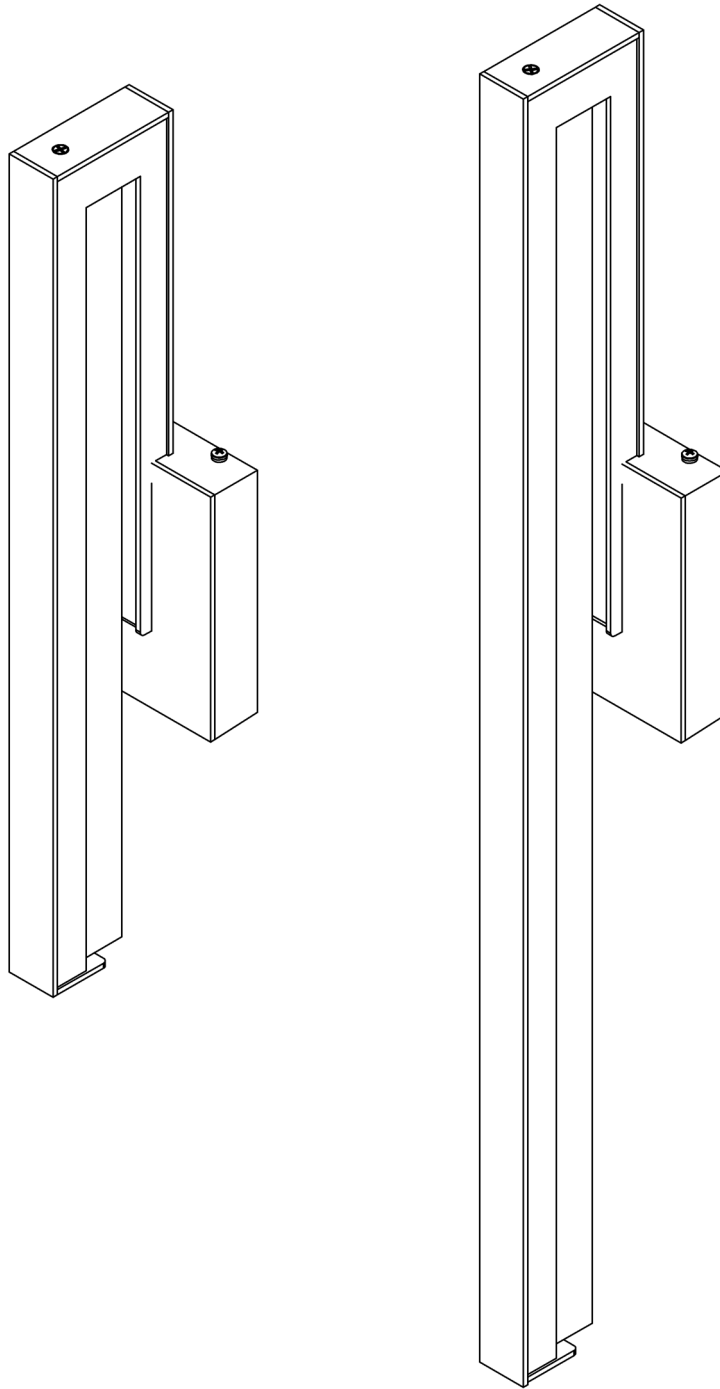


# Assembly & Installation Instructions

**B380**

Edge Outdoor Sconces 302560 & 302563

Page 1 of 4



**302560**

**302563**



HUBBARDTON FORGE.

MODERN AMERICAN BLACKSMITHS | FINE, HAND CRAFTED LIGHTING  
CASTLETON, VERMONT USA | HUBBARDTONFORGE.COM

# Assembly & Installation Instructions

**B380**

Edge Outdoor Sconces 302560 & 302563

Page 2 of 4

## Component Parts

<b>A</b>	<b>Fixture</b>
<b>B</b>	<b>Mounting Bracket</b>
<b>C</b>	<b>Anchors (4)</b>
<b>D</b>	<b>#10 Screws (4)</b>
<b>E</b>	<b>Cupped Washer</b>
<b>F</b>	<b>Ground Screw</b>
<b>G</b>	<b>Caulking Lip</b>
<b>H</b>	<b>#8 Screws (4)</b>
<b>I</b>	<b>Rubber Washers (2)</b>
<b>J</b>	<b>Glass</b>
<b>K</b>	<b>Glass Bracket</b>
<b>L</b>	<b>Nylon Tip Set Screw</b>



HUBBARDTON FORGE.

MODERN AMERICAN BLACKSMITHS | FINE, HAND CRAFTED LIGHTING  
CASTLETON, VERMONT USA | HUBBARDTONFORGE.COM

40148

# Assembly & Installation Instructions

**B380**

Edge Outdoor Sconces 302560 & 302563

Page 3 of 4

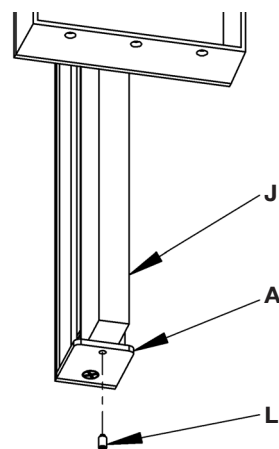
**CAUTION:** FAILURE TO INSTALL THIS FIXTURE PROPERLY MAY RESULT IN SERIOUS PERSONAL INJURY OR DEATH AND PROPERTY DAMAGE. We recommend installation by a licensed electrician. This product must be installed in accordance with applicable installation code(s), by a person familiar with the construction and operation of the product and the hazards involved.\*

**Caution:** Do not exceed maximum wattage noted on fixture. Use only recommended bulbs with fixture.

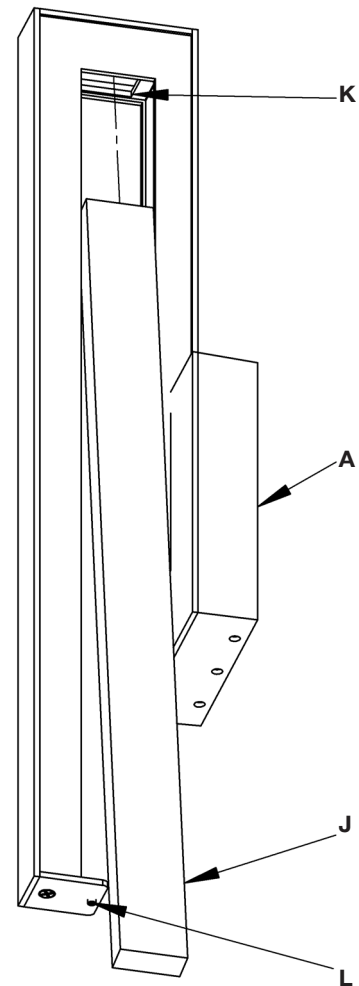
Please Note: After installation extra hardware and accessories are possible; our kits are used on multiple products.

## To Install Glass (Figures 1 & 2)

1. Carefully unpack the fixture and glass from the carton.
2. Glass (J) should be installed in fixture (A) prior to installing fixture to the wall.
3. Slide glass (J) into fixture (A) on an angle as seen in Figure 1. Align and insert glass (J) into glass bracket (K).
4. Center glass (J) in fixture (A) (Figure 2) and secure with nylon tip set screw (L). Tighten until snug against glass.
5. Follow steps on follow page to install fixture (A) to wall.



(Figure 2)



(Figure 1)



HUBBARDTON FORGE.

MODERN AMERICAN BLACKSMITHS | FINE, HAND CRAFTED LIGHTING  
CASTLETON, VERMONT USA | HUBBARDTONFORGE.COM

40148

# Assembly & Installation Instructions

**B380**

Edge Outdoor Sconces 302560 & 302563

Page 4 of 4

## To Install Fixture (Figures 3 & 4)

1. Place the mounting bracket (B) over the electrical box being sure to hold it level. Line up holes in mounting bracket with holes in electrical box. With a pencil, mark the location of all mounting holes in the mounting bracket on the wall behind. Set bracket aside.

2. Drill 1/4" holes in the locations marked on the wall. Place the tapered end of the anchors (C) into the holes and gently tap them flush to the wall using a light weight hammer.

3. Thread the wires in the electrical box through the hole in the mounting bracket (B) while moving the plate into position. Using two machine screws (not provided) fasten the mounting bracket to the electric box.

**Note:** A new electric box comes with screws. When replacing an existing fixture, retain screws for use with the new fixture.

4. Using #10 screws (D), screw the mounting bracket (B) securely to the wall. Be careful not to over-tighten or strip the anchors (C).

5. Attach a pigtail lead to the mounting bracket (B) using the cupped washer (E) and ground screw (F) found in kit bag. See location in Figure 3.

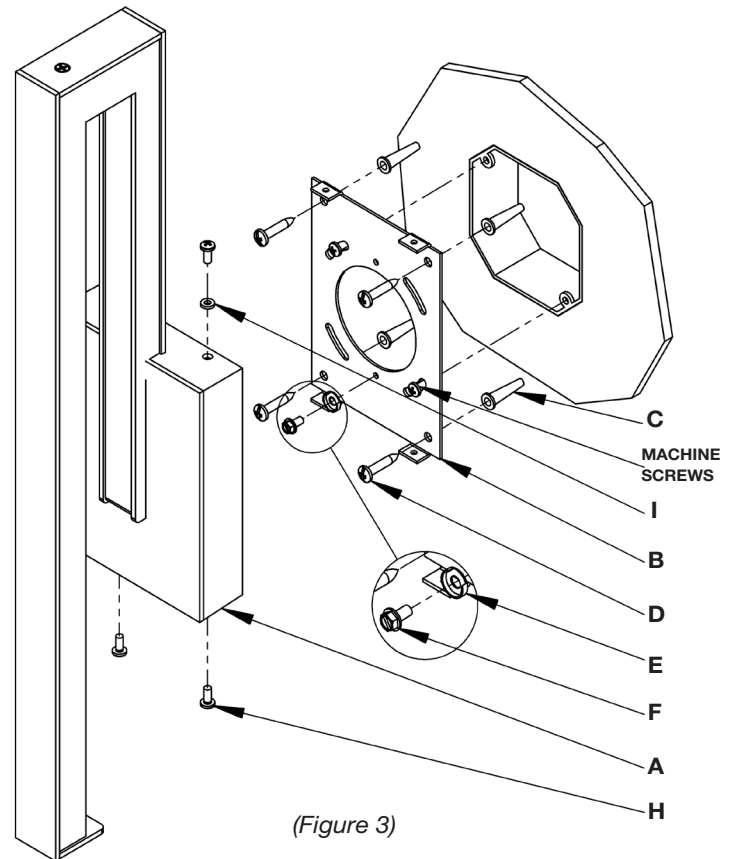
6. Hold fixture (A) close to wall. Using suitable wire connectors (not provided), connect fixture wires to supply wires (white to white and black to black). Connect all ground wires (bare copper or green to bare copper or green).

**CAUTION:** MAKE SURE WIRE CONNECTORS ARE TWISTED ON SECURELY, AND NO BARE WIRES ARE EXPOSED.

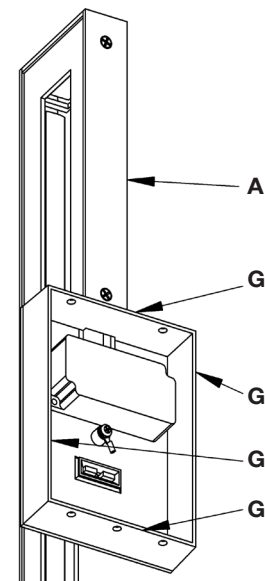
7. Apply a generous bead of a suitable caulking material (not provided) to caulking lip (G) on the fixture. Caulk should be applied around the entire perimeter of the backplate (Figure 4).

8. Place fixture (A) over mounting bracket (B) and screw with #8 screws (H) and rubber washers (I) on top and #8 screws on bottom. Be sure no wires are pinched between fixture and the wall.

9. Restore electricity at main breaker.



(Figure 3)



(Figure 4)

If you need further assistance, or find that you are missing any parts, please contact the dealer from which you purchased this product. We hope you enjoy your fixture!

\* **Hubbardton Forge will not be liable for injury or damage caused by improper installation, lamping or use of this fixture.**