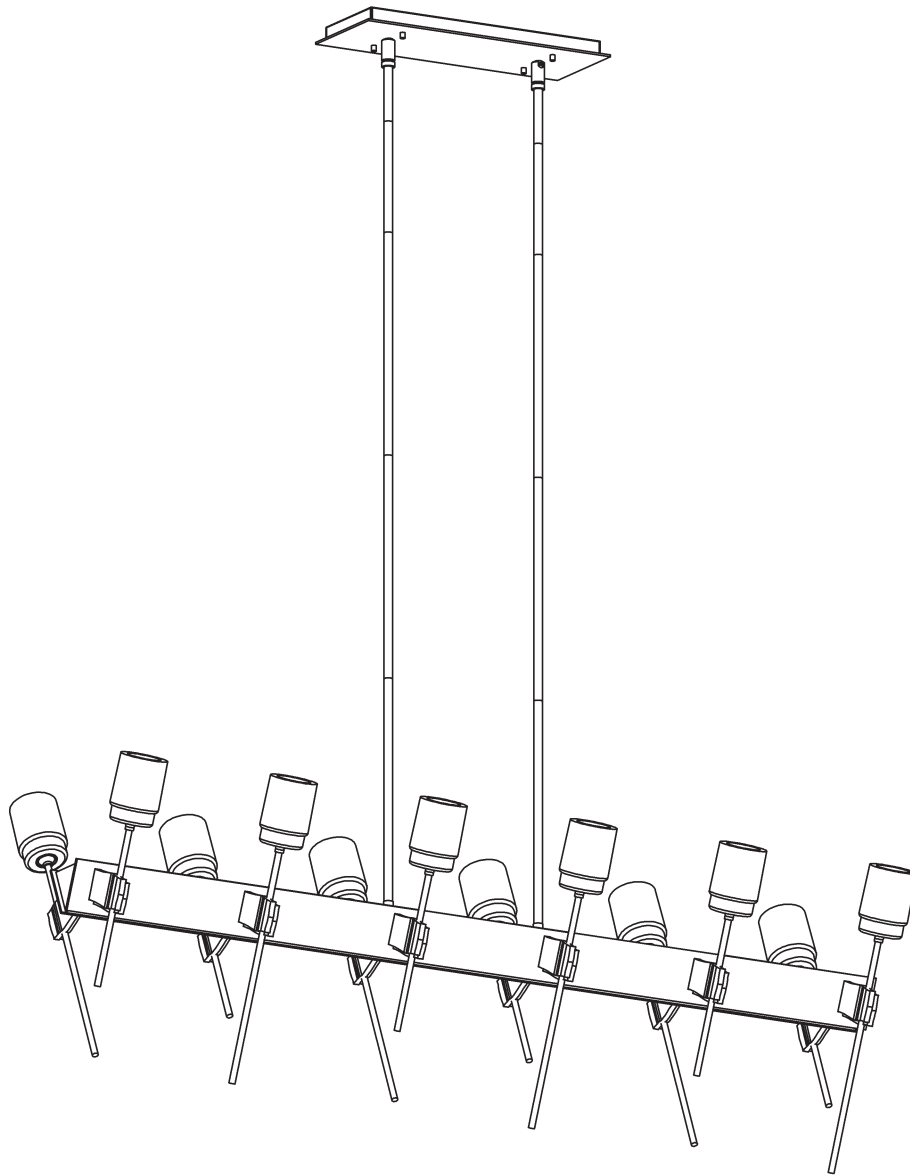


ASSEMBLY & INSTALLATION INSTRUCTIONS

A885

Echo Linear Pendant 131525



Component Parts

- A Fixture**
- B Canopy**
- C Canopy Plate**
- D #10 Screws (8)**
- E Anchors (8)**
- F Swivel (2)**
- G Standoffs (4)**
- H Knob (4)**
- I 3" Fixture Pipe (2)**
- J 6" Fixture Pipe (2)**
- K 12" Fixture Pipe (6)**
- L Stem Nipples (10)**
- M Safety Cable (2)**
- N Nut (2)**
- O Washer (2)**
- P Socket (12)**
- Q Bulb (12 - *Not Included*)**
- R Glass (12)**
- S Retaining Ring (12)**
- T Retaining Ring Tool**



Echo Linear Pendant 131525

CAUTION: FAILURE TO INSTALL THIS FIXTURE PROPERLY MAY RESULT IN SERIOUS PERSONAL INJURY OR DEATH AND PROPERTY DAMAGE. We recommend installation by a licensed electrician. This product must be installed in accordance with applicable installation code(s), by a person familiar with the construction and operation of the product and the hazards involved.*

Caution: Do not exceed maximum wattage noted on fixture. Use only recommended bulbs with fixture.
Please Note: After installation extra hardware and accessories are possible due to our kits are used on multiple products and options.

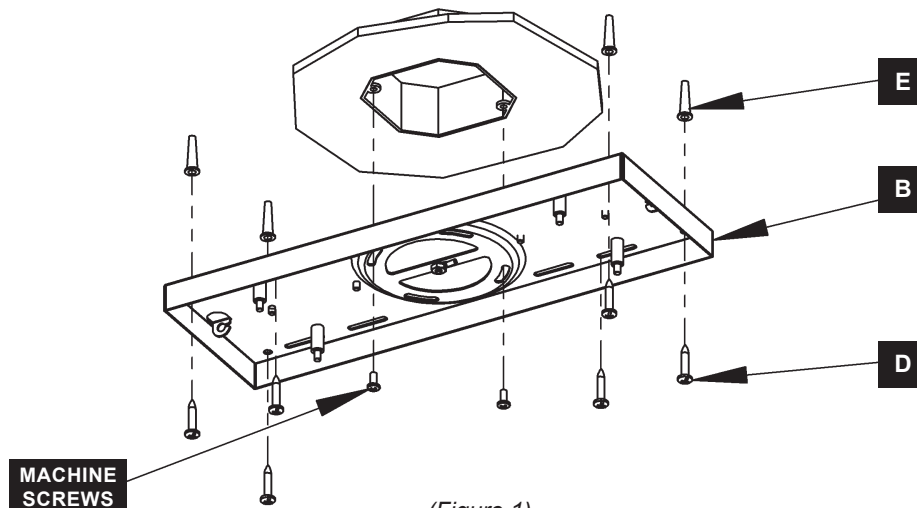
To Install Canopy (Figure 1)

CAUTION: BE SURE POWER IS OFF AT THE MAIN BREAKER BOX PRIOR TO INSTALLATION.

1. Carefully unpack canopy (B).
2. Place canopy (B) over the electrical box. Line up holes in canopy with holes in electrical box. With a pencil, mark the location of mounting holes needing anchors in canopy on ceiling. Set canopy (B) aside.
3. Drill 1/4" holes in the locations marked on the ceiling. Place the tapered end of the anchors (E) into the holes and gently tap them flush to the ceiling using a light weight hammer.
4. Thread the wires in the electrical box through the hole in the canopy (B) while moving the canopy into position. Using two machine screws (not provided) fasten canopy (B) to the electric box.

NOTE: A NEW ELECTRIC BOX COMES WITH SCREWS. WHEN REPLACING A FIXTURE, RETAIN THE EXISTING SCREWS FOR USE WITH THE NEW FIXTURE.

5. Install screws (D) into holes with anchors (E). Be sure not to overtighten and strip the anchor (E).
6. Follow instructions on following page to assemble and install fixture.



(Figure 1)

ASSEMBLY & INSTALLATION INSTRUCTIONS

A885

Echo Linear Pendant 131525

To Assemble and Install Fixture *(Figures 2) on following page*

1. Carefully unpack fixture (A) from the carton.
2. Locate fixture pipes (I, J, K), fixture (A), stem nipples (L) . Stem nipples (L) can be found in the kit bag.
3. Provided are multiple fixture pipes in three different lengths. Choose the combination that will achieve overall height desired. Refer to table below to determine pipes required to reach desired overall height. Once you have determined components necessary, feed wires that exit fixture (A) through individual components. Wires will slip easier through loose components than through pipes and nipples that are pre-assembled. Once wires are run, apply thread locking compound to all the connection points and assemble the pipes and nipples.

		Overall Height of Fixture												
		22.2	25.2	28.2	31.2	34.2	37.2	40.2	43.2	46.2	49.2	52.2	55.2	58.2
# of Pipes Required	3" Pipe (I)	1		1		1		1		1		1		1
	6" Pipe (J)	1			1	1			1	1			1	1
	12" Pipe (K)		1	1	1	1	2	2	2	2	3	3	3	3

NOTE: APPLICATION OF THE THREAD LOCKING COMPOUND IS NECESSARY TO PREVENT THE PIPE FROM LOOSENING DURING REGULAR MAINTENANCE AND CLEANING OF THE FIXTURE. BE CERTAIN TO APPLY THE COMPOUND.

4. Slip wires from the fixture (A) through assembled swivel (F) and thread swivel into fixture pipe.
5. Repeat repeat steps 3 & 4 for second set of pipes.
6. Ensure that slots on swivels (F) are aligned as shown in Figure 2.
7. Carefully place canopy plate (C) over swivels (F) and secure with washers (O), safety cables (M) and nuts (N) as shown in Figure 2. Washers (O), safety cables (M) and nuts (N) can be found in the kit bag.
8. Lift fixture assembly (A) up to canopy (B) and place safety cables (M) loops over hooks in canopy (B).
9. Using suitable wire connectors (not provided) connect fixture wires to supply (white/ribbed to white and black/smooth to black). Connect all ground wires (bare copper or green to bare copper or green).

CAUTION: MAKE SURE WIRE CONNECTORS ARE TWISTED ON SECURELY, AND NO BARE WIRE IS EXPOSED.

10. Align the holes in canopy plate (C) with standoffs (G) and secure with knobs (H).

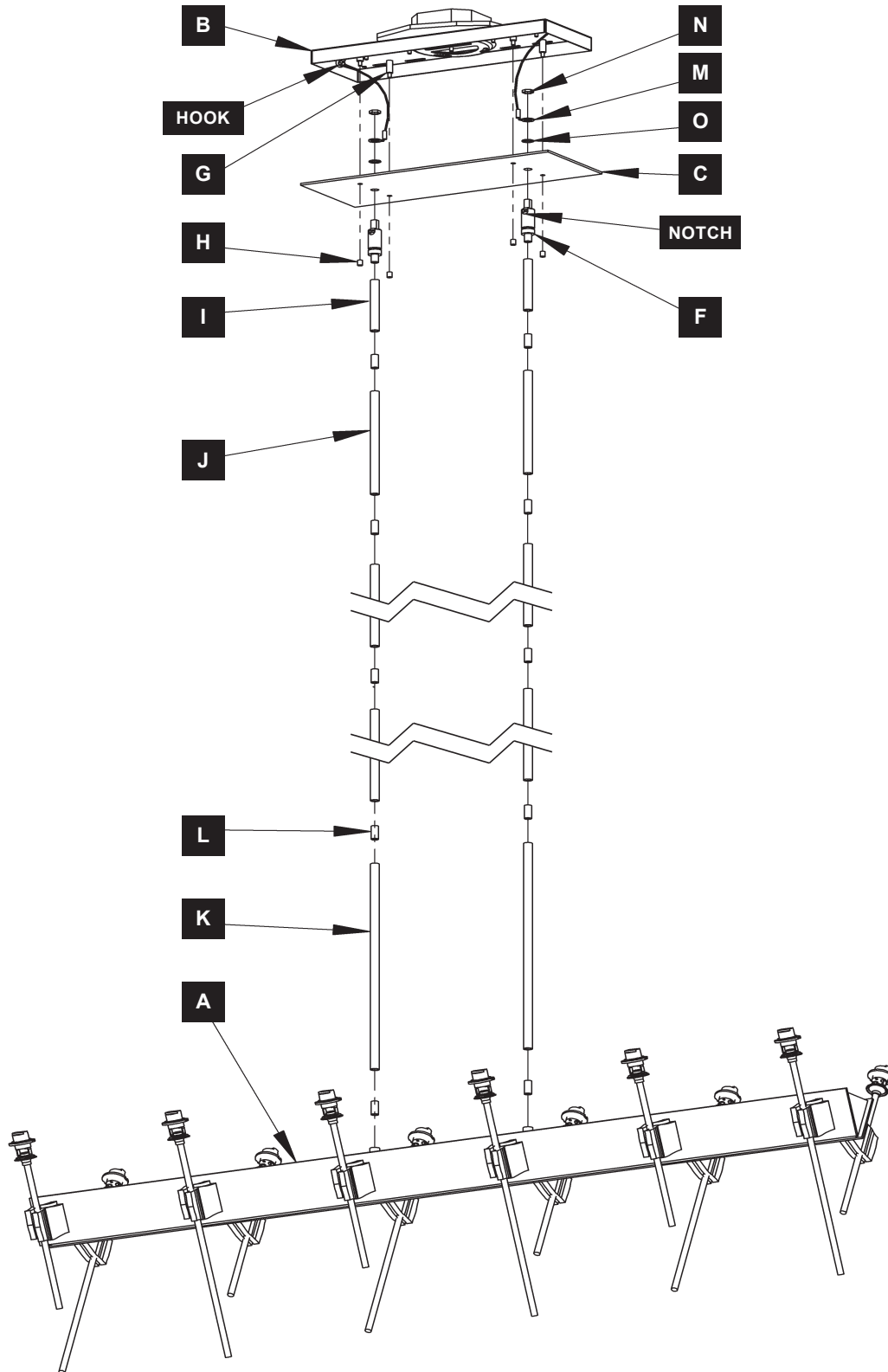
CAUTION: BE SURE NO WIRES ARE PINCHED BETWEEN CANOPY (B) AND THE CANOPY PLATE (C).

11. Refer to instructions on last page to install glass.

ASSEMBLY & INSTALLATION INSTRUCTIONS

A885

Echo Linear Pendant 131525



(Figure 2)

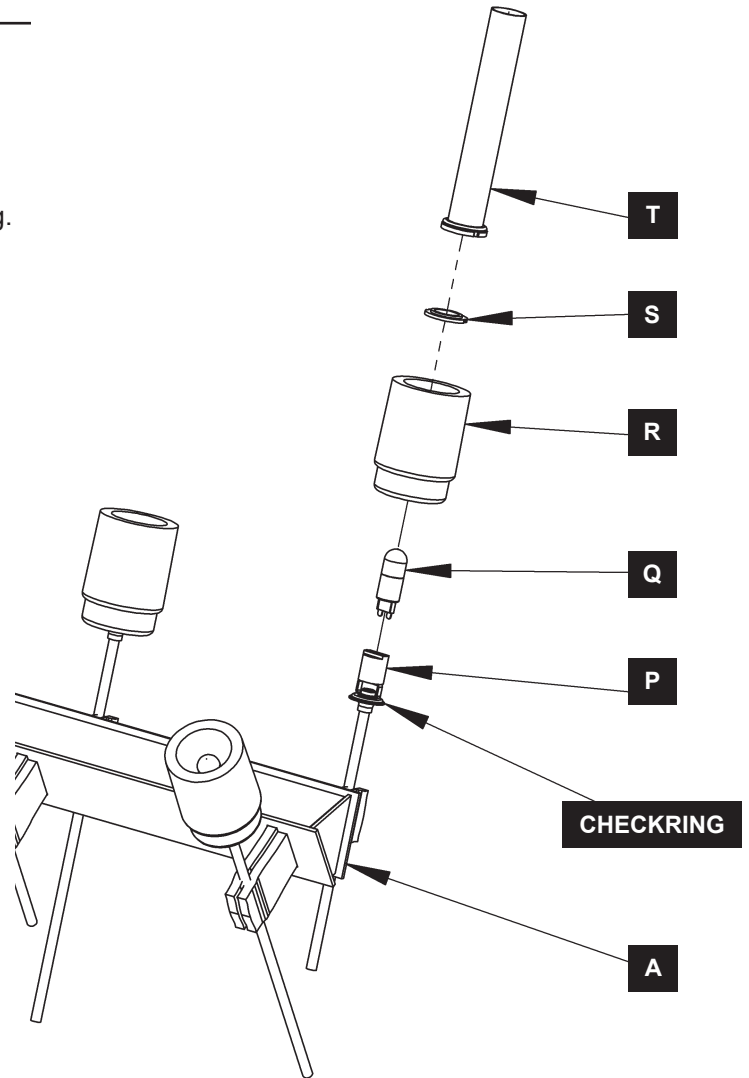


HUBBARDTON FORGE.

Echo Linear Pendant 131525

To Install Glass *(Figure 3)*

1. Remove retaining ring (S) from socket (P). Retaining rings are shipped installed.
2. Install bulb (Q) - not included.
3. Slip glass (R) over socket (P) until it rests on checkring.
4. Using provided retaining ring tool (T), thread retaining ring (S) onto socket (P) until snug against glass (R). Do not over tighten as this could break glass (R).
5. Repeat for remaining bulbs (Q) and glass (R).
6. Restore electricity at main breaker.



(Figure 3)

If you need further assistance, or find that you are missing any parts, please contact the dealer from which you purchased this product. We hope you enjoy your fixture!

*** Hubbardton Forge will not be liable for injury or damage caused by improper installation, lamping or use of this fixture.**