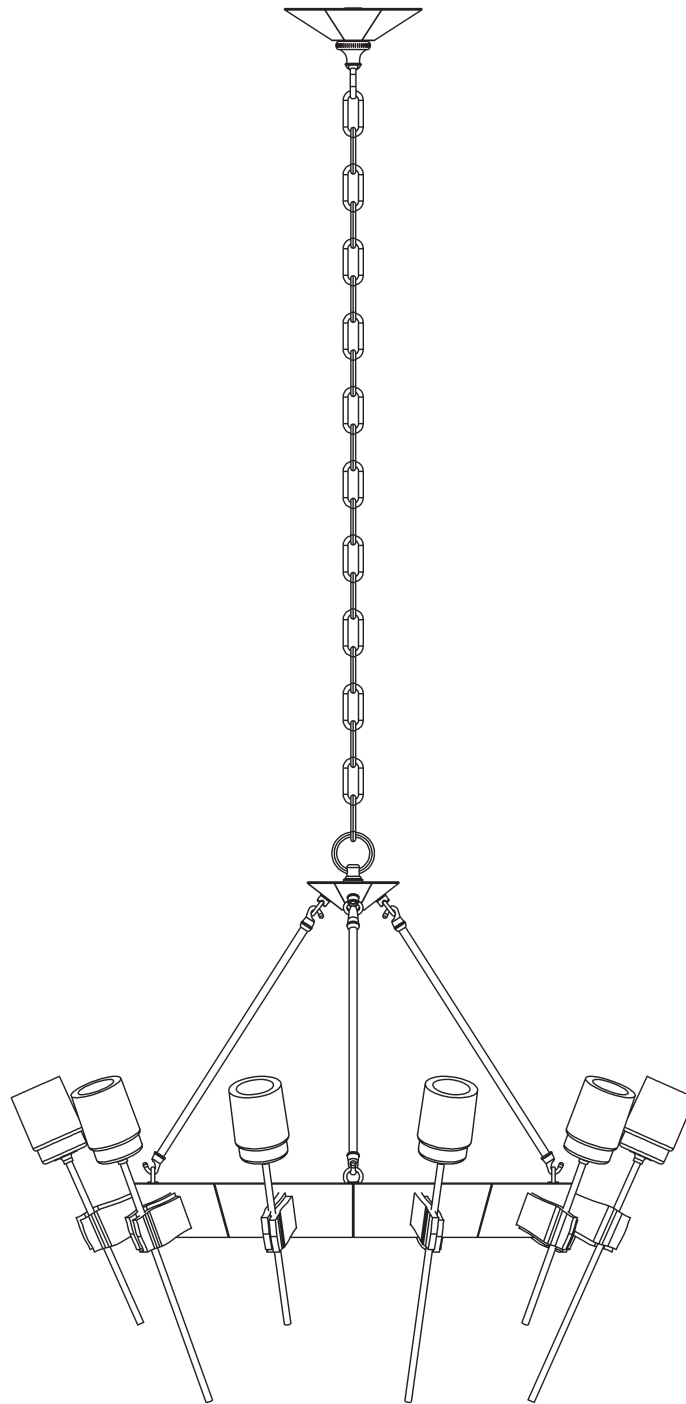


ASSEMBLY & INSTALLATION INSTRUCTIONS

A912

Echo Round - 101525



HUBBARDTON FORGE.

MODERN AMERICAN BLACKSMITHS | FINE, HAND CRAFTED LIGHTING
CASTLETON, VERMONT USA | HUBBARDTONFORGE.COM

52420 Rev A

1 OF 6

Echo Round - 101525

Component Parts

- A Fixture**
- B Can**
- C Pipe (4)**
- D Pipe Hook (8)**
- E Fixture Pipe Loop (4)**
- F Can Pipe Loop (4)**
- G Fixture Loop**
- H Crossbar**
- I Canopy Nipple**
- J Lag Screw (2)**
- K Lock Nut**
- L Canopy**
- M Loop Collar**
- N Canopy Loop**
- O Chain**
- P Ground Screw**
- Q Cupped Washer**
- R Ground Nut**
- S Washer (2)**
- T Socket (10)**
- U Bulb (10 - *Not Included*)**
- V Glass (10)**
- W Retaining Ring (10)**
- X Retaining Ring Tool**



ASSEMBLY & INSTALLATION INSTRUCTIONS

A912

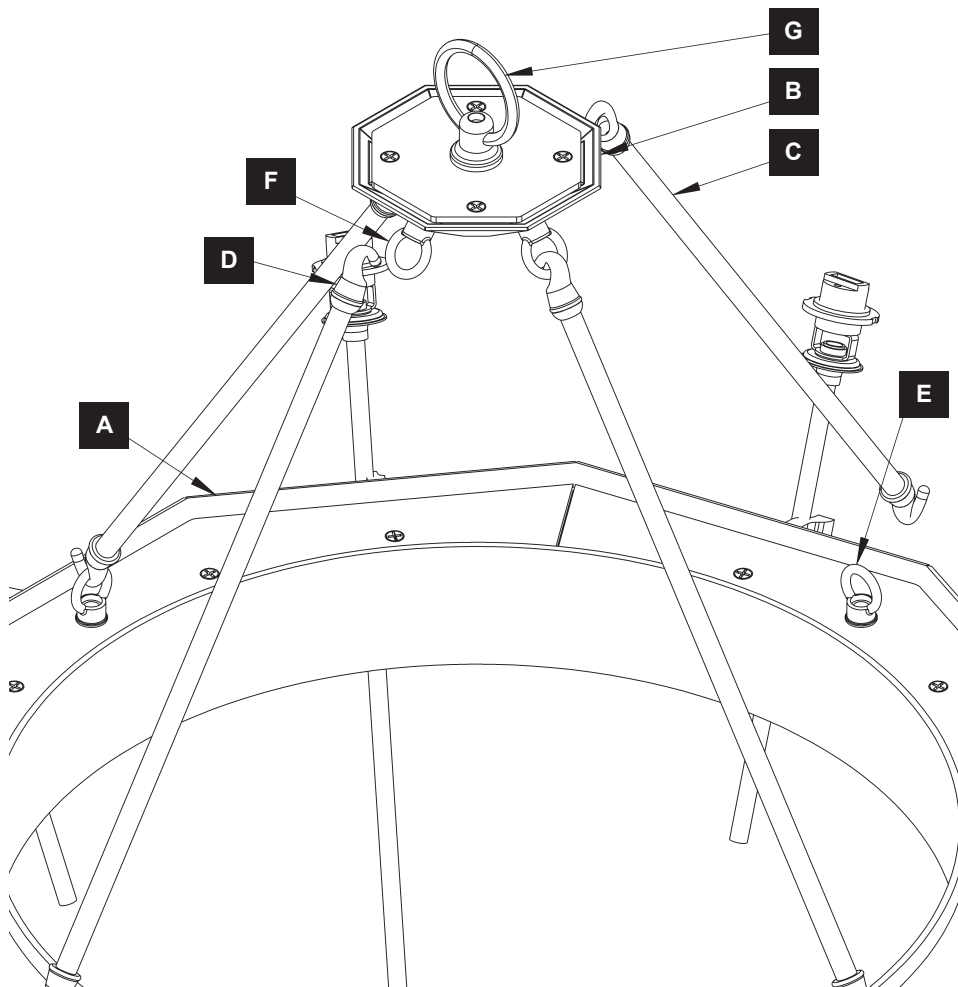
Echo Round - 101525

CAUTION: FAILURE TO INSTALL THIS FIXTURE PROPERLY MAY RESULT IN SERIOUS PERSONAL INJURY OR DEATH AND PROPERTY DAMAGE. We recommend installation by a licensed electrician. This product must be installed in accordance with applicable installation code(s), by a person familiar with the construction and operation of the product and the hazards involved.*

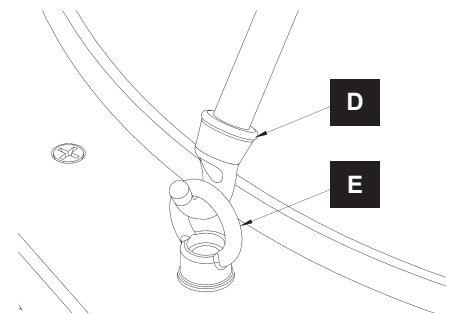
Caution: Do not exceed maximum wattage noted on fixture. Use only recommended bulbs with fixture.

To Assemble Fixture (Figures 1 & 2 - on following page)

1. Carefully unpack fixture (A) from the carton.
2. Locate two pipes (C). The two wired pipes (C) are already attached.
3. Install the two loose pipes (C) by attaching pipe hook (D) on end of pipe (C) into fixture pipe loop (E) and attach the other pipe hook (D) onto the can pipe loop (F).
4. Follow steps on remaining pages to complete fixture install.



(Figure 1)



(Figure 2)

ASSEMBLY & INSTALLATION INSTRUCTIONS

A912

Echo Round - 101525

To Attach to Ceiling *(Figure 3 - on following page)*

CAUTION: BE SURE POWER IS OFF AT THE MAIN BREAKER BOX PRIOR TO INSTALLATION.

1. Drill two holes through the back of the outlet box and using two lag screws (J), attach crossbar (H) to a solid structural member in the ceiling, centering the crossbar in the outlet box.
Lag screws are supplied with your fixture; however, different materials and/or construction methods may require different fasteners. If in doubt, contact a qualified electrician.

CAUTION: INSTALLER MUST ENSURE THAT THE MOUNTING METHOD IS CAPABLE OF SUPPORTING THE WEIGHT OF THE FIXTURE.

2. Thread canopy loop (N) onto canopy nipple (I). Place canopy (L) over loop and adjust nipple length to ensure a snug canopy fit using loop collar (M). Once the length is determined, set the canopy and loop collar aside and lock canopy nipple position by tightening the lock nut (K) against the crossbar (H).
3. Attach one end of the chain (O) to fixture loop (G).
4. Slide loop collar (M) and canopy (L) over chain (O) and fixture wires until they rest on fixture loop (G). Thread the fixture wires through every other link of the chain (O). Attach the other end of the chain to the canopy loop (N).
5. Run wires up through the canopy loop (N) and canopy nipple (I) into the outlet box.
6. Using suitable wire connectors (not provided), connect fixture wires to supply wires (ribbed side of fixture cord to white supply, smooth side of fixture cord to black supply). Run a pigtail lead from the ground screw (P), cupped washer (Q) and ground nut (R) on crossbar (H) and connect all ground wires (bare copper or green to bare copper or green) together. Push wires back into outlet box.

CAUTION: MAKE SURE WIRE CONNECTORS ARE TWISTED ON SECURELY AND NO BARE WIRE IS EXPOSED.

7. Slide the canopy (L) up the chain (O) and over the canopy loop (N). Holding tight to the ceiling, secure with loop collar (M).

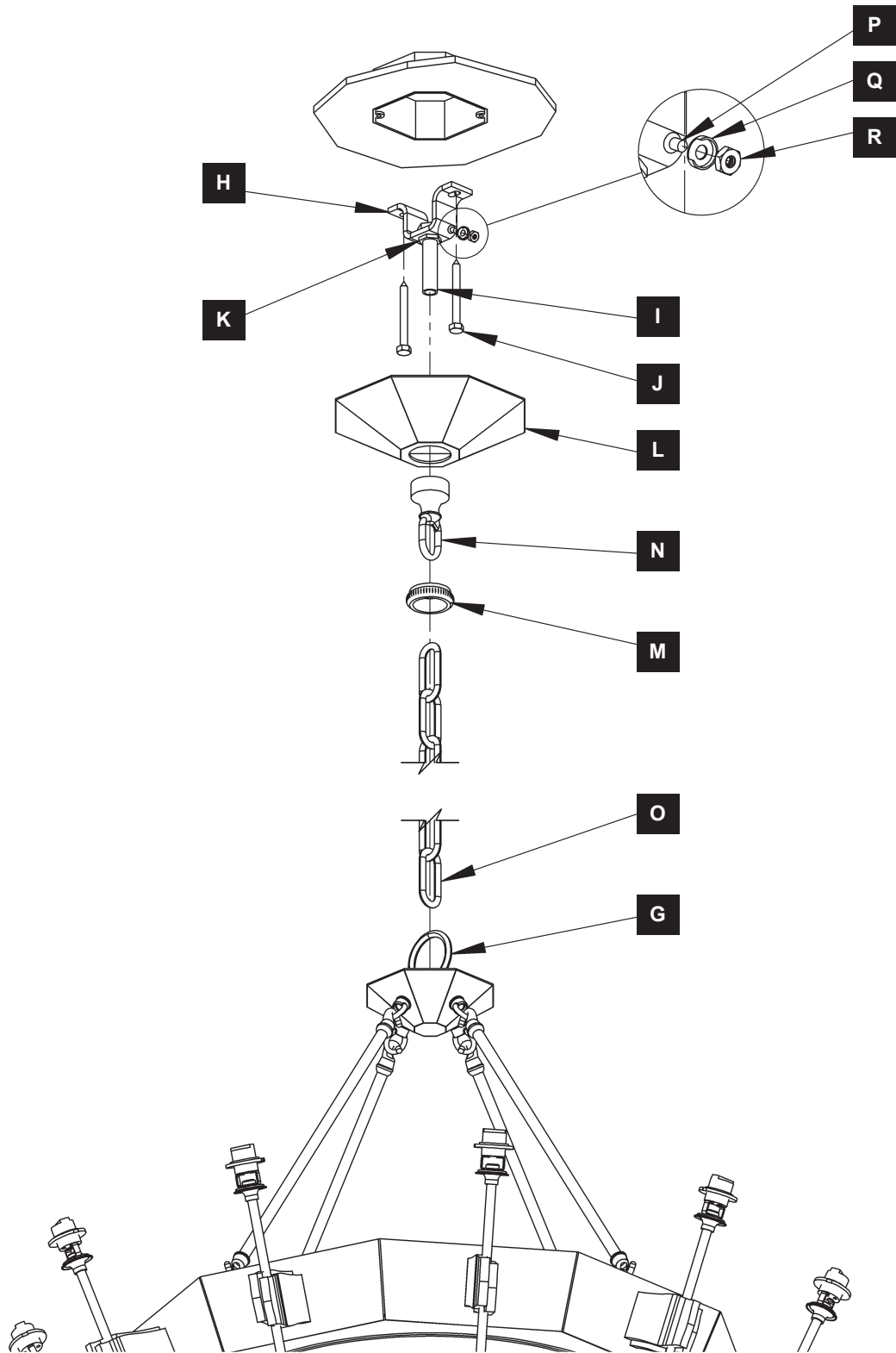
CAUTION: BE SURE NO WIRES ARE PINCHED BETWEEN THE CANOPY (L) AND THE CEILING.

8. Follow remaining steps to install glass.

ASSEMBLY & INSTALLATION INSTRUCTIONS

A912

Echo Round - 101525



(Figure 3)



HUBBARDTON FORGE.

MODERN AMERICAN BLACKSMITHS | FINE, HAND CRAFTED LIGHTING
CASTLETON, VERMONT USA | HUBBARDTONFORGE.COM

52420 Rev A

5 OF 6

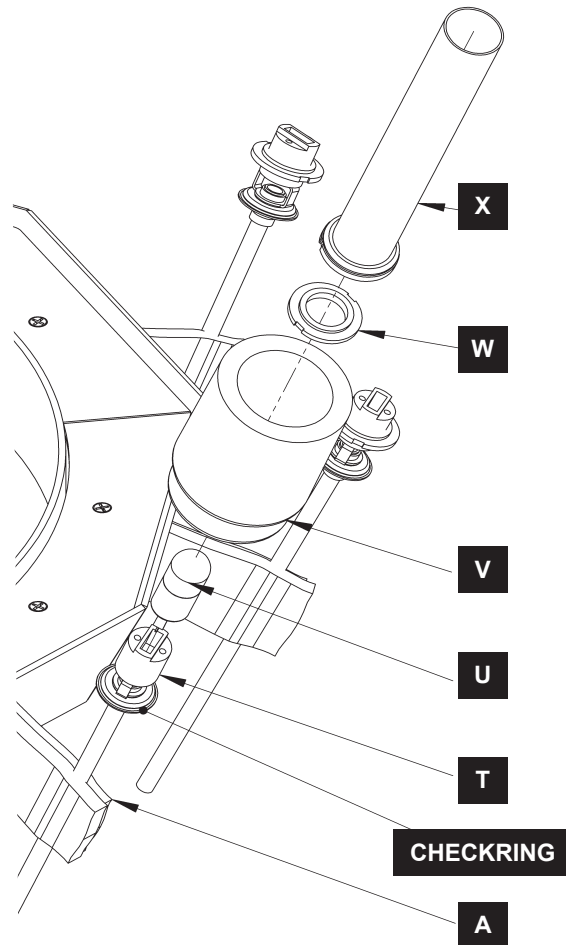
ASSEMBLY & INSTALLATION INSTRUCTIONS

A912

Echo Round - 101525

To Install Glass *(Figure 4)*

1. Remove retaining ring (W) from socket (T). Retaining rings are shipped installed.
2. Install bulb (U) - not included.
3. Slip glass (V) over socket (T) until it rests on checkring.
4. Using provided retaining ring tool (X), thread retaining ring (W) onto socket (T) until snug against glass (V). Do not over tighten as this could break glass (V).
5. Repeat for remaining bulbs (U) and glass (V).
6. Restore electricity at main breaker.



(Figure 4)

If you need further assistance, or find that you are missing any parts, please contact the dealer from which you purchased this product. We hope you enjoy your fixture!

**** Hubbardton Forge will not be liable for injury or damage caused by improper installation, lamping or use of this fixture.***