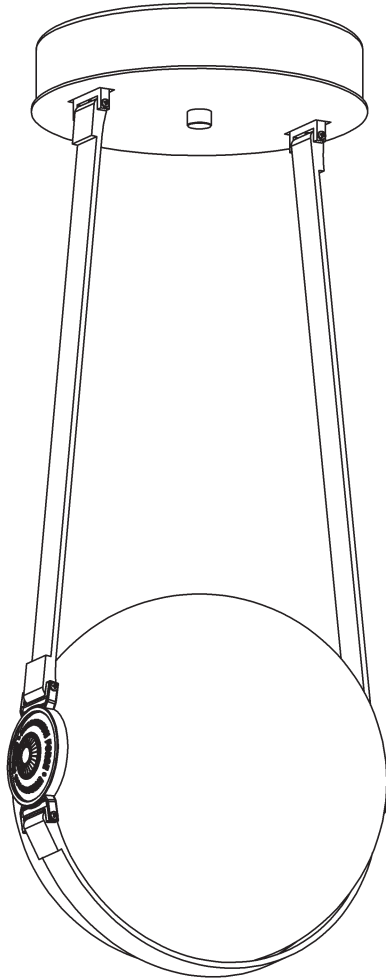


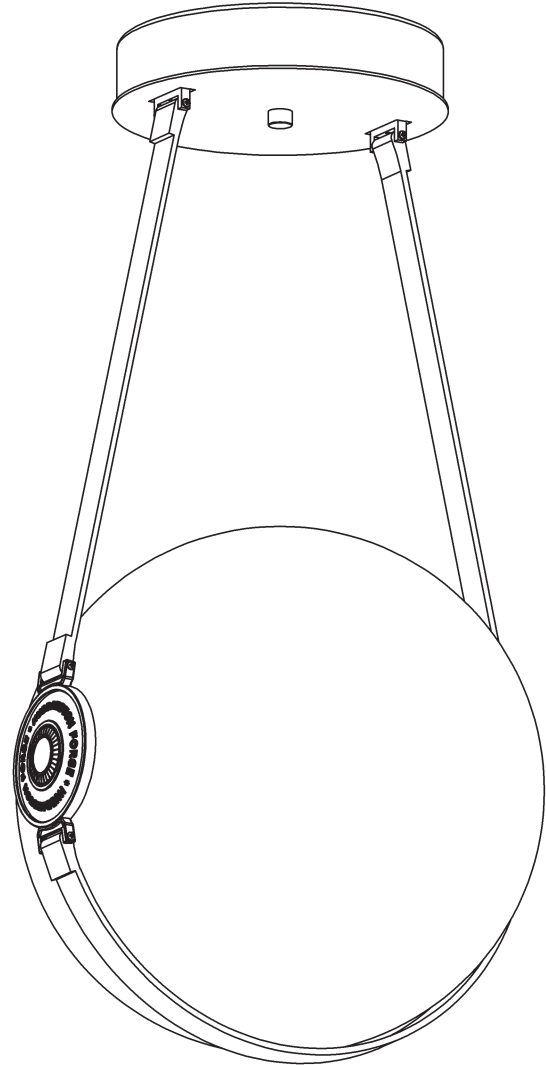
ASSEMBLY & INSTALLATION INSTRUCTIONS

A626

Derby Semi-Flush, 10" Globe 121047 and 14" Globe 121049



121047
(Shown in Instructions)



121049



HUBBARDTON FORGE.

MODERN AMERICAN BLACKSMITHS | FINE, HAND CRAFTED LIGHTING
CASTLETON, VERMONT USA | HUBBARDTONFORGE.COM

45382 Rev A

1 OF 6

ASSEMBLY & INSTALLATION INSTRUCTIONS

A626

Derby Semi-Flush, 10" Globe 121047 and 14" Globe 121049

Component Parts

A	Knob
B	Canopy Cover Plate
C	#8 Screw (4)
D	Driver Plate
E	Canopy
F	Brass Hanger (2)
G	Leather Strap Assembly
H	Brass Screw (4)
I	Glass Tube
J	Glass Globe
K	Ball nut
L	Plastic Washer (10)



ASSEMBLY & INSTALLATION INSTRUCTIONS

A626

Derby Semi-Flush, 10" Globe 121047 and 14" Globe 121049

CAUTION: FAILURE TO INSTALL THIS FIXTURE PROPERLY MAY RESULT IN SERIOUS PERSONAL INJURY OR DEATH AND PROPERTY DAMAGE. We recommend installation by a licensed electrician. This product must be installed in accordance with applicable installation code(s), by a person familiar with the construction and operation of the product and the hazards involved.*

Please Note: After installation extra hardware and accessories are possible due to our kits are used on multiple products and options.

To Install Canopy (Figure 1)

CAUTION: BE SURE POWER IS OFF AT THE MAIN BREAKER BOX PRIOR TO INSTALLATION.

1. Carefully unpack fixture from the carton.
2. Unscrew knob (A) and remove canopy cover plate (B). Set parts aside.
3. Unscrew #8 screws (C) and remove driver plate (D). Pay attention to the orientation of (+) and (-) brass hangers (F) in canopy (E). Set parts aside.
4. Locate (+) and (-) stickers on outside of canopy (E). The (+) sticker will line up with (+) brass hanger (F) and the buckle side of glass globe (J). (not shown in Figure 1)
5. Pull wires from electric box through canopy (E). Using two machine screws (not provided), fasten canopy (E) to the electric box.

Note: A new electric box comes with screws. When replacing a fixture, retain the existing screws for use with the new fixture.

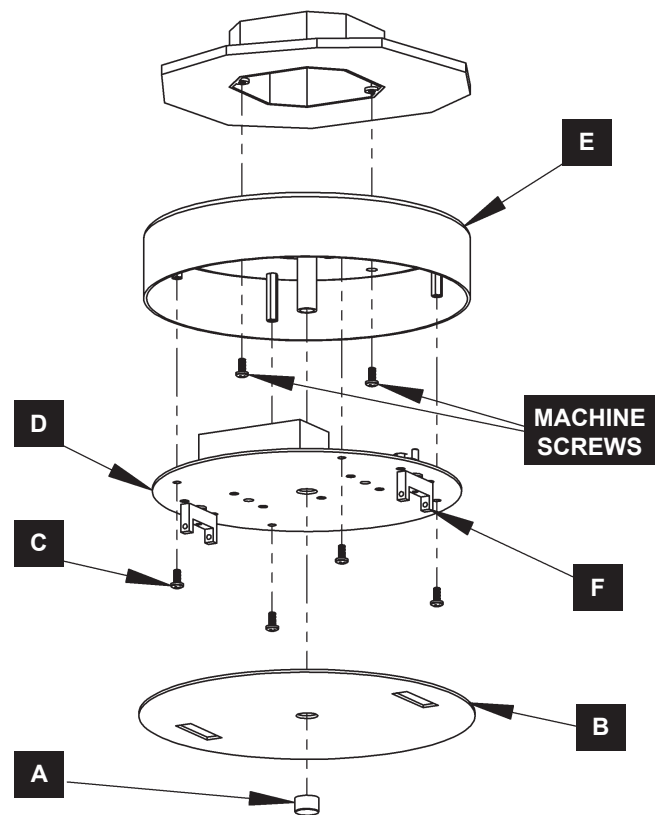
6. Hold driver plate (D) close to ceiling; using suitable wire connectors (not provided) connect driver wires to supply wires (white to white and black to black). Connect all ground wires (bare copper or green to bare copper or green).

CAUTION: MAKE SURE WIRE CONNECTORS ARE TWISTED ON SECURELY AND NO BARE WIRE IS EXPOSED.

7. Place driver plate (D) into canopy (E) while aligning (+) brass hanger (F) with (+) sticker on outside of canopy (E). Fasten with #8 screws (C).

CAUTION: BE SURE NO WIRES ARE PINCHED BETWEEN THE DRIVER PLATE AND THE CANOPY.

8. Attach canopy cover plate (B) with knob (A) over brass hanger (F). Make sure no part of canopy cover plate (B) touches brass hanger (F).
9. Follow steps on next page to complete installation.



(Figure 1)

ASSEMBLY & INSTALLATION INSTRUCTIONS

A626

Derby Semi-Flush, 10" Globe 121047 and 14" Globe 121049

To Install Fixture (Figure 2-4)

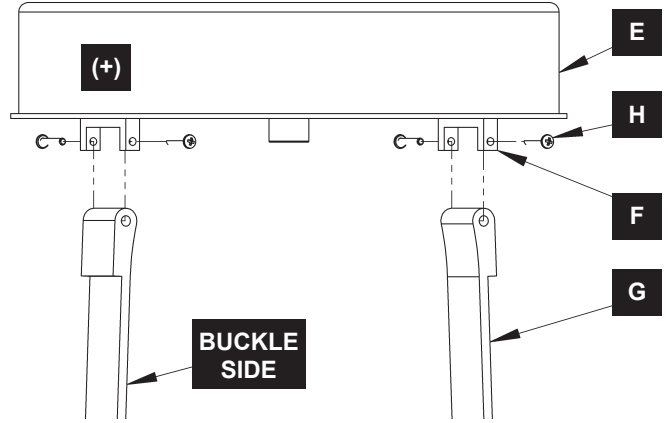
1. Locate remaining parts. Attach leather strap assembly (G) to brass hangers (F) using brass screws (H). (Figure 2)

Note: Make sure to align the buckle strap side with the (+) brass hanger (F).

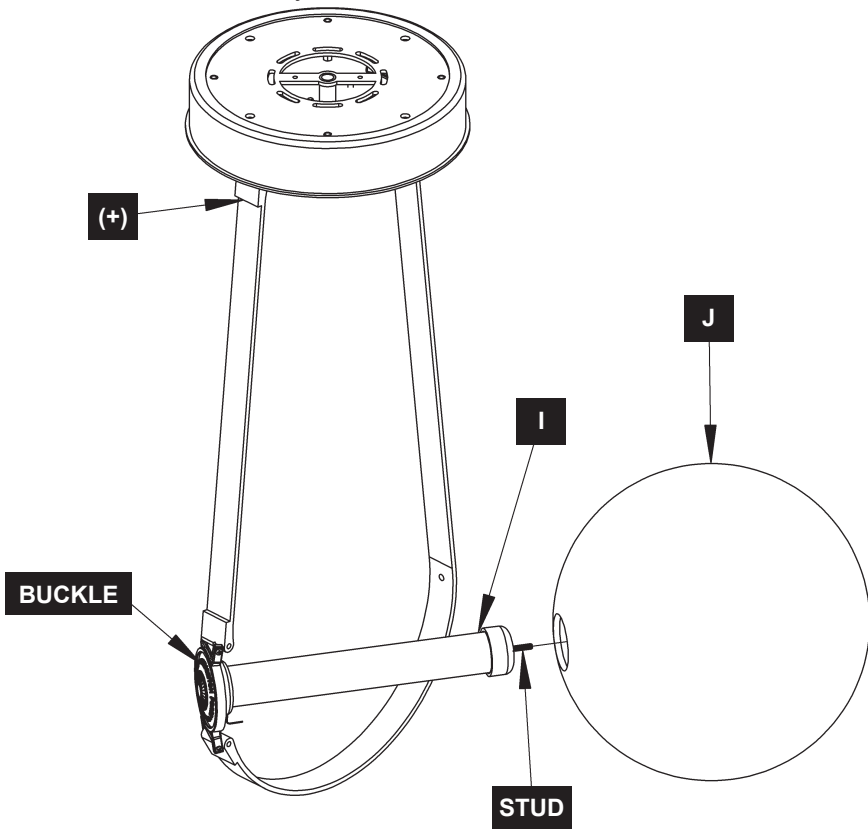
2. Unpack glass globe (J). Be careful as this is very fragile.
3. Insert glass tube (I) into glass globe (J). (Figure 3)

CAUTION: IT IS THE RESPONSIBILITY OF THE INSTALLER TO SECURE GLASS TUBE (I) PER INSTRUCTIONS. FAILURE TO DO SO WOULD IMPLY THE RISK OF PERSONAL INJURY.

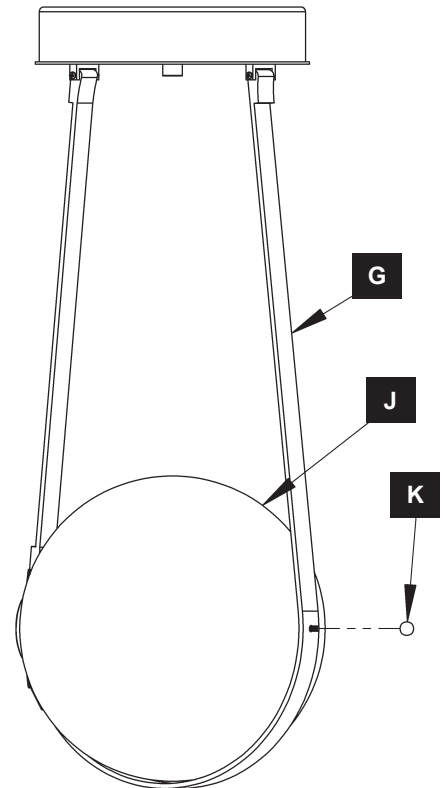
4. Fit leather strap assembly (G) around glass globe (J), slide stud through grommet in leather strap (G) and secure with ball nut (K). (Figure 4)
5. See next page to adjust glass tube (I) if not level after installation.
6. Restore electricity at main breaker.



(Figure 2)



(Figure 3)



(Figure 4)

ASSEMBLY & INSTALLATION INSTRUCTIONS

A626

Derby Semi-Flush, 10" Globe 121047 and 14" Globe 121049

To Level Glass Tube (Optional)

After the fixture is installed you may find the glass tube is not level. Follow the steps below to adjust one strap lower than the other, up to a max of about 1/4 inch. This can be done after the fixture is installed with the power turned off.

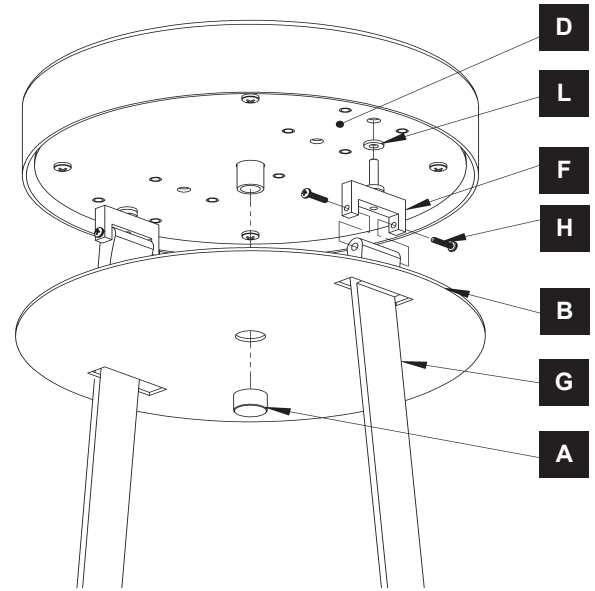
1. Turn off electricity at main breaker.
2. Carefully unthread knob (A) and lower canopy cover plate (B) until it is fully supported. Use care with leather straps.
3. Fully support leather strap assembly (G) on the side you wish to lower. Loosen and remove two brass screws (H) on the same strap.
4. Spin brass hanger (F) counter-clockwise to remove it from driver plate (D).
5. Add additional plastic washers (L) found in kit bag until you reach the desired height you wish to lower the strap. Note that a small height change at the strap will result in a relatively large height change at the end of glass tube (I).

Note: There must be a minimum of one plastic washer (L) on each brass hanger (F).

6. Thread brass hanger (F) into driver plate (D) until it becomes snug and lines up with slots in canopy cover plate (B).

CAUTION: DO NOT TIGHTEN BRASS HANGER (F) MORE THAN 1/2 TURN AFTER IT BECOMES SNUG. THERE IS POTENTIAL THIS CAN CAUSE A SHORT CIRCUIT.

7. Re-install brass screws (H) into leather strap assembly (G).
8. Re-install canopy cover plate (B) with knob (A).
9. Restore electricity at main breaker.



(Figure 5)

ASSEMBLY & INSTALLATION INSTRUCTIONS

A626

Derby Semi-Flush, 10" Globe 121047 and 14" Globe 121049

Leather Care

1. Turn off electricity at main breaker.
2. Wipe leather surface with a damp cloth to even out any abrasions or stains. Do not spot rub, for it will darken only that area. Occasional use of Aniline Leather Cleaner, Conditioner & Protector or Aniline Leather Maintenance Kit is recommended. Other leather cleaners such as saddle soap or household cleaners that may contain harsh chemicals, alcohol or ink removers should never be used.
3. Restore electricity at main breaker.

If you need further assistance, or find that you are missing any parts, please contact the dealer from which you purchased this product. We hope you enjoy your fixture!

**Hubbardton Forge will not be liable for injury or damage caused by improper installation, lamping or use of this fixture.*



HUBBARDTON FORGE.

MODERN AMERICAN BLACKSMITHS | FINE, HAND CRAFTED LIGHTING
CASTLETON, VERMONT USA | HUBBARDTONFORGE.COM

45382 Rev A

6 OF 6