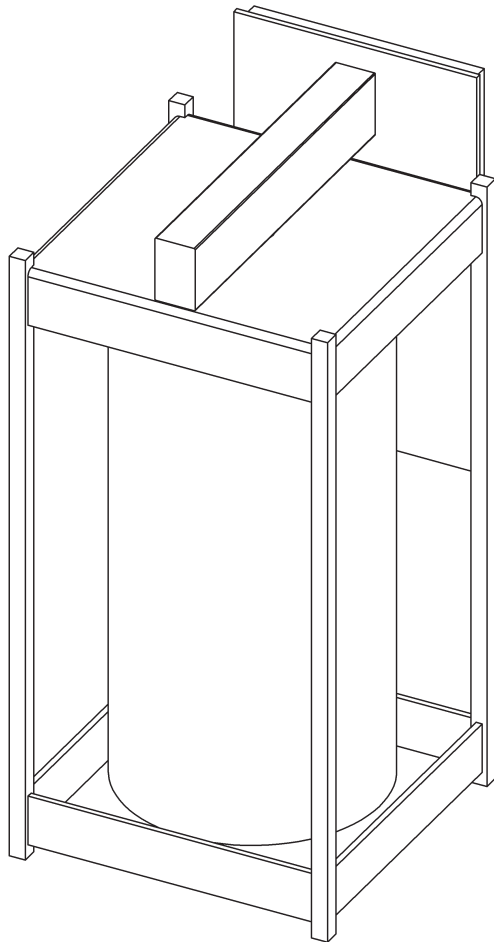


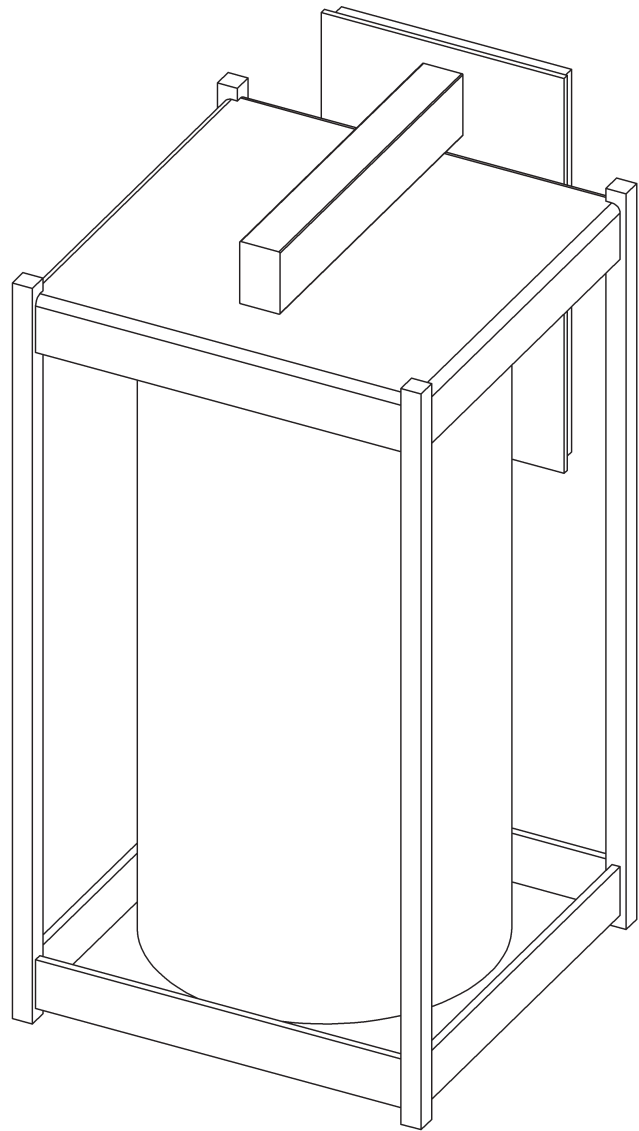
ASSEMBLY & INSTALLATION INSTRUCTIONS

B500

Cela Outdoor Sconce Medium & Large - 302021 302023



302021



302023

(shown in illustrations)

Component Parts

- A** **Fixture**
- B** **Crossbar**
- C** **Ground Screw**
- D** **Threaded Stud (2)**
- E** **Barrel Nut (2)**
- F** **Caulking Lip**
- G** **Socket**
- H** **Bulb - Not Included**
- I** **Glass**
- J** **Glass Retainer**



ASSEMBLY & INSTALLATION INSTRUCTIONS

B500

Cela Outdoor Sconce Medium & Large - 302021 302023

CAUTION: FAILURE TO INSTALL THIS FIXTURE PROPERLY MAY RESULT IN SERIOUS PERSONAL INJURY OR DEATH AND PROPERTY DAMAGE. We recommend installation by a licensed electrician. This product must be installed in accordance with applicable installation code(s), by a person familiar with the construction and operation of the product and the hazards involved.*

Caution: Do not exceed maximum wattage noted on fixture. Use only recommended bulbs with fixture.

Please Note: After installation extra hardware and accessories are possible; our kits are used on multiple products.

To Install Fixture (Figure 1 & 2 - on next page)

CAUTION: BE SURE POWER IS OFF AT THE MAIN BREAKER BOX PRIOR TO INSTALLATION.

1. Carefully unpack the fixture (A) from the carton.
2. Thread two studs (D) into the appropriate holes in the crossbar (B) that align with fixture (A) and desired orientation.
3. Using two machine screws (not provided) attach crossbar (B) to the electric box using outer oval holes to orient fixture.

Note: A new electric box comes with screws. When replacing a fixture, retain the existing screws for use with the new fixture.

4. Adjust the studs (D) to proper length to ensure the fixture will fit snugly against the wall.
5. Attach a pigtail lead to the crossbar (B) using the ground screw (C).
6. Hold fixture (A) close to wall. Using suitable wire connectors (not provided), connect fixture wires to supply wires (white to white and black to black). Connect all ground wires (bare copper or green to bare copper or green).
7. Apply a generous bead of a suitable caulking material (not provided) to caulking lip (F) on the fixture (Figure 2).

CAUTION: MAKE SURE WIRE CONNECTORS ARE TWISTED ON SECURELY, AND NO BARE WIRE IS EXPOSED.

8. Carefully tuck all wires behind fixture, push fixture firmly against the wall. Secure by threading barrel nut (E) onto threaded studs (D).

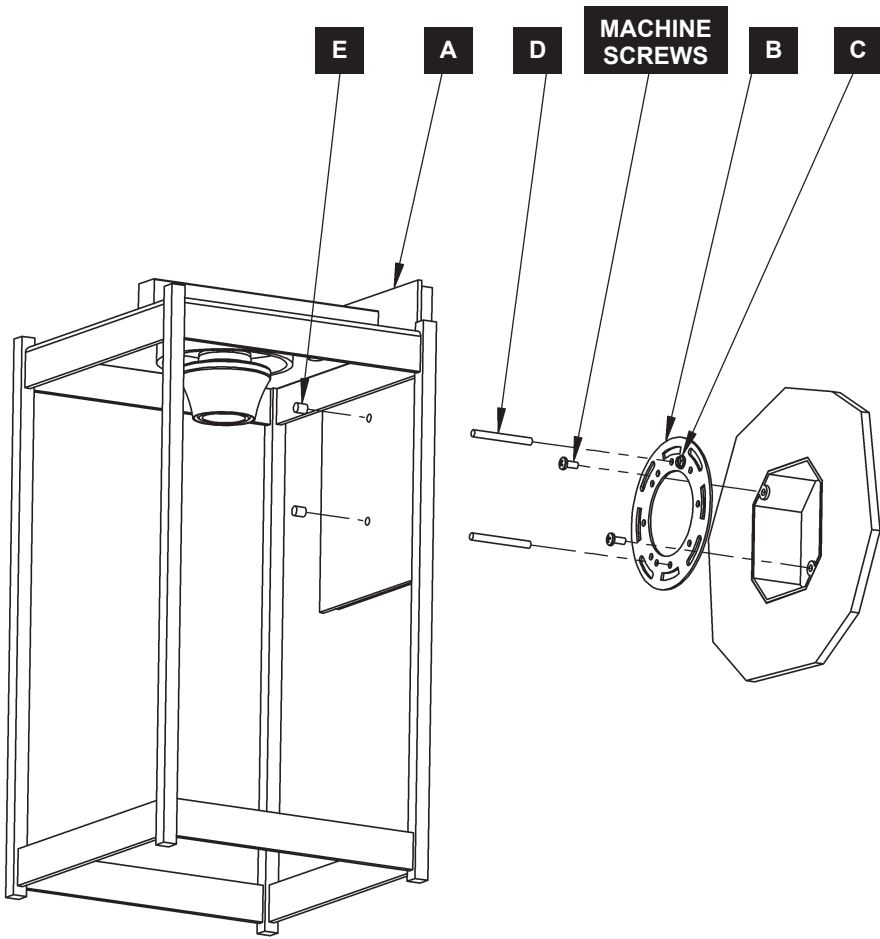
CAUTION: BE SURE NO WIRES ARE PINCHED BETWEEN THE WALL AND FIXTURE.

9. Follow steps on remaining pages to complete installation..

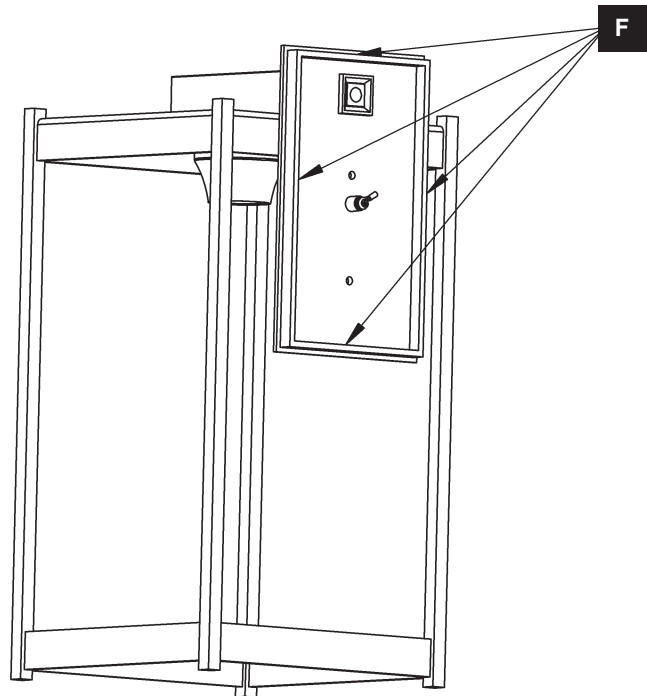
ASSEMBLY & INSTALLATION INSTRUCTIONS

B500

Cela Outdoor Sconce Medium & Large - 302021 302023



(Figure 1)



(Figure 2)



HUBBARDTON FORGE.

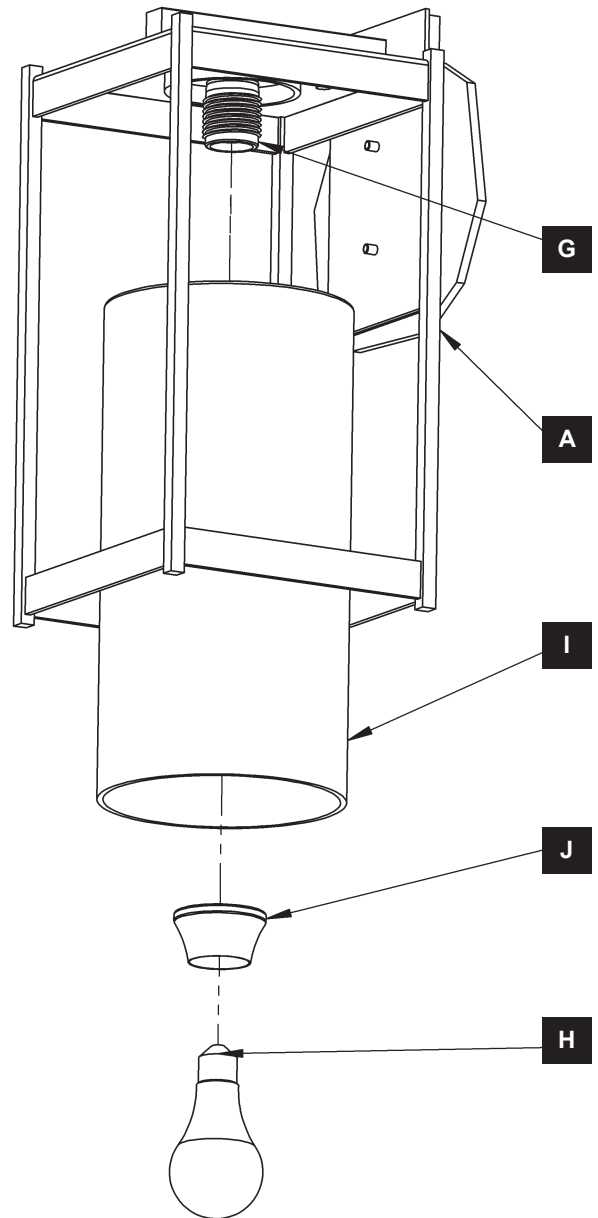
ASSEMBLY & INSTALLATION INSTRUCTIONS

B500

Cela Outdoor Sconce Medium & Large - 302021 302023

To Install Glass (Figure 3)

1. Glass retainer (J) is shipped installed on socket (G). Remove and set aside for use in following steps.
 2. Carefully unpack glass (I) from carton.
 3. Slide glass (I) over socket (G) and secure with glass retainer (J).
- Note:** Do not overtighten as this could break glass.
4. Install bulb (not included) (H) into socket (G).
 5. Restore electricity at main breaker.



(Figure 3)

If you need further assistance, or find that you are missing any parts, please contact the dealer from which you purchased this product. We hope you enjoy your fixture!

** Hubbardton Forge will not be liable for injury or damage caused by improper installation, lamping or use of this fixture.*