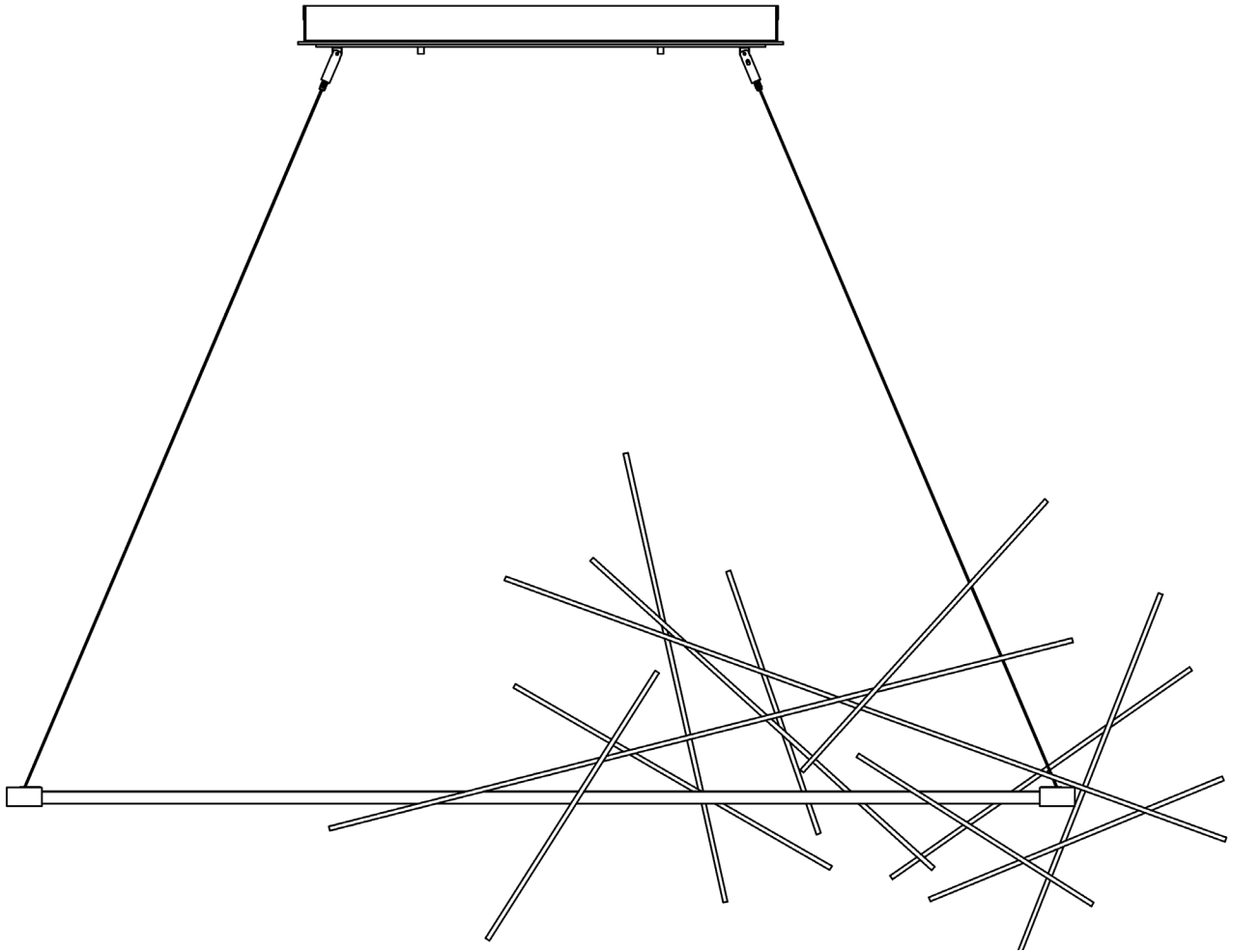


ASSEMBLY & INSTALLATION INSTRUCTIONS

A518

Cascade Pendant 139778



HUBBARDTON FORGE.

MODERN AMERICAN BLACKSMITHS | FINE, HAND CRAFTED LIGHTING
CASTLETON, VERMONT USA | HUBBARDTONFORGE.COM

Component Parts

- A Fixture**
- B Mounting Bracket**
- C #10 Screws (4)**
- D Anchors (4)**
- E Safety Cable**
- F Safety Cable Nut**
- G Ground Nut**
- H Cupped Washer**
- I Driver**
- J Canopy**
- K Gripper (4)**
- L Hex Standoff (2)**
- M Knob w/ Threaded Stud (2)**
- N Supply/Support Cable (4)**
- O Decorative Element**
- P Acrylic**



Cascade Pendant 139778

CAUTION: FAILURE TO INSTALL THIS FIXTURE PROPERLY MAY RESULT IN SERIOUS PERSONAL INJURY OR DEATH AND PROPERTY DAMAGE. We recommend installation by a licensed electrician. This product must be installed in accordance with applicable installation code(s), by a person familiar with the construction and operation of the product and the hazards involved.*

Caution: Do not exceed maximum wattage noted on fixture. Use only recommended bulbs with fixture.

Please Note: After installation extra hardware and accessories are possible; our kits are used on multiple products and options.

To Install Canopy - Figure 1 - on following page

CAUTION: BE SURE POWER IS OFF AT THE MAIN BREAKER BOX PRIOR TO INSTALLATION.

1. Carefully unpack the fixture from the carton.
2. Center the mounting bracket (B) over the electric box. With a pencil, mark the location of desired mounting positions on the ceiling. Set aside.
3. Drill 1/4" holes in the locations marked on the ceiling. For holes using anchors (D), place the tapered end of the anchor (D) into the hole and gently tap them flush to the ceiling using a light weight hammer.
4. Thread the wires in the electrical box through the center hole in the mounting bracket (B) while moving the bracket into position. Using two machine screws (not provided) fasten bracket (B) to the electric box.
Note: A new electric box comes with screws. When replacing a fixture, retain the existing screws for use with the new fixture.
5. Using the #10 screws (C), screw the bracket (B) to the ceiling. Be careful not to over-tighten or strip the anchors (D).
6. Raise canopy (J) close to mounting bracket (B). Attach safety cable (E) using safety cable nut (F).

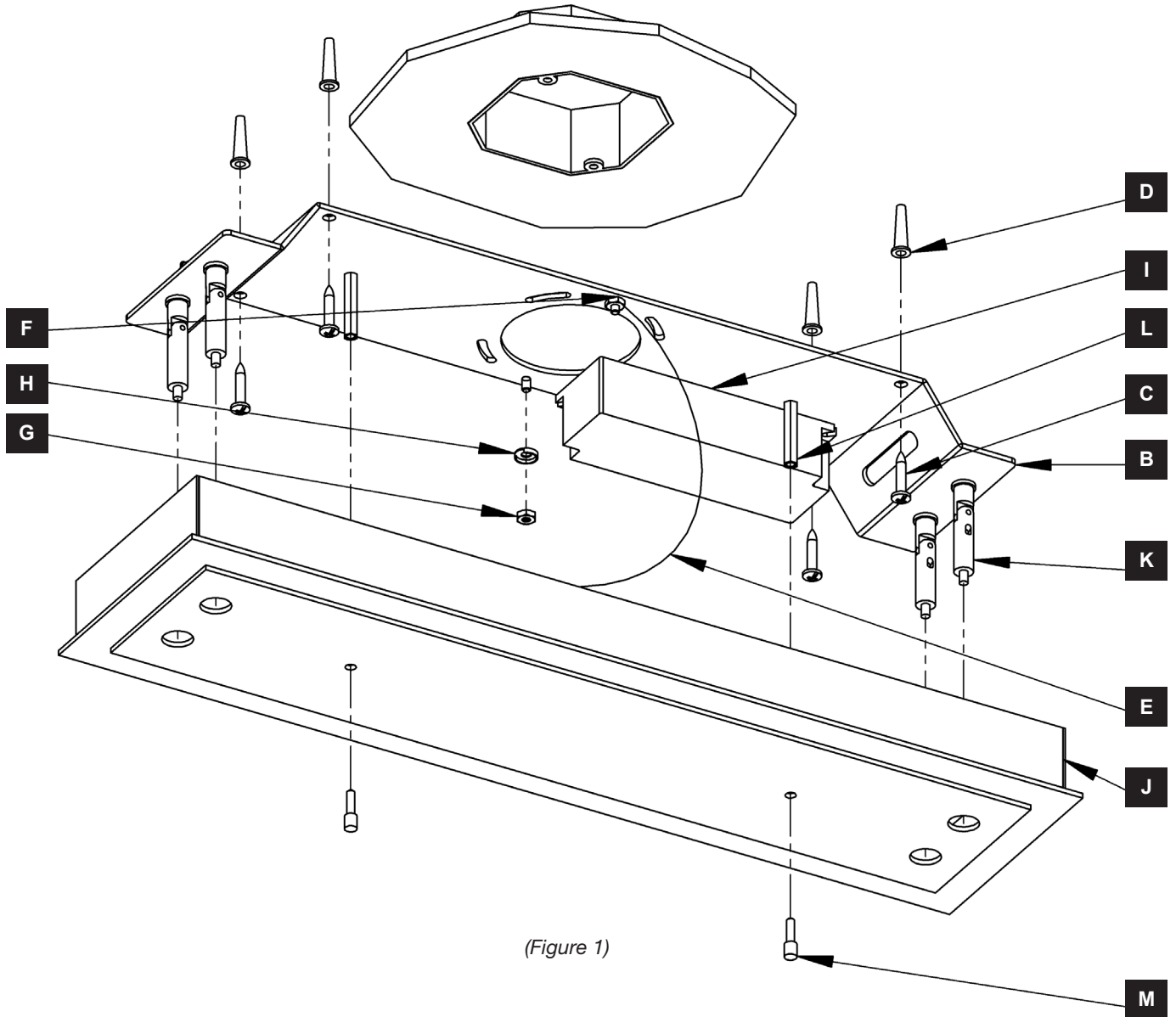
CAUTION: The cable is intended to temporarily suspend canopy while wiring connections are completed.

7. Using suitable wire connectors (not provided), connect driver (I) wires to supply wires (white to white and black to black). Run a pigtail lead from the mounting bracket (B) using cupped washer (H) and ground nut (G). Connect all ground wires (bare copper or green to bare copper or green) together.

CAUTION: MAKE SURE WIRE CONNECTORS ARE TWISTED ON SECURELY, AND NO BARE WIRE IS EXPOSED.

8. Align grippers (K) with holes in canopy (J). Raise canopy (J) and slide over grippers (K). Be sure no wires are pinched between the canopy (J) and the ceiling.
9. Secure canopy (J) by threading knobs w/ threaded studs (M) into hex standoffs (L).
10. Follow steps on following pages to complete installation.

To Install Canopy, cont. - Figure 1



(Figure 1)

continued

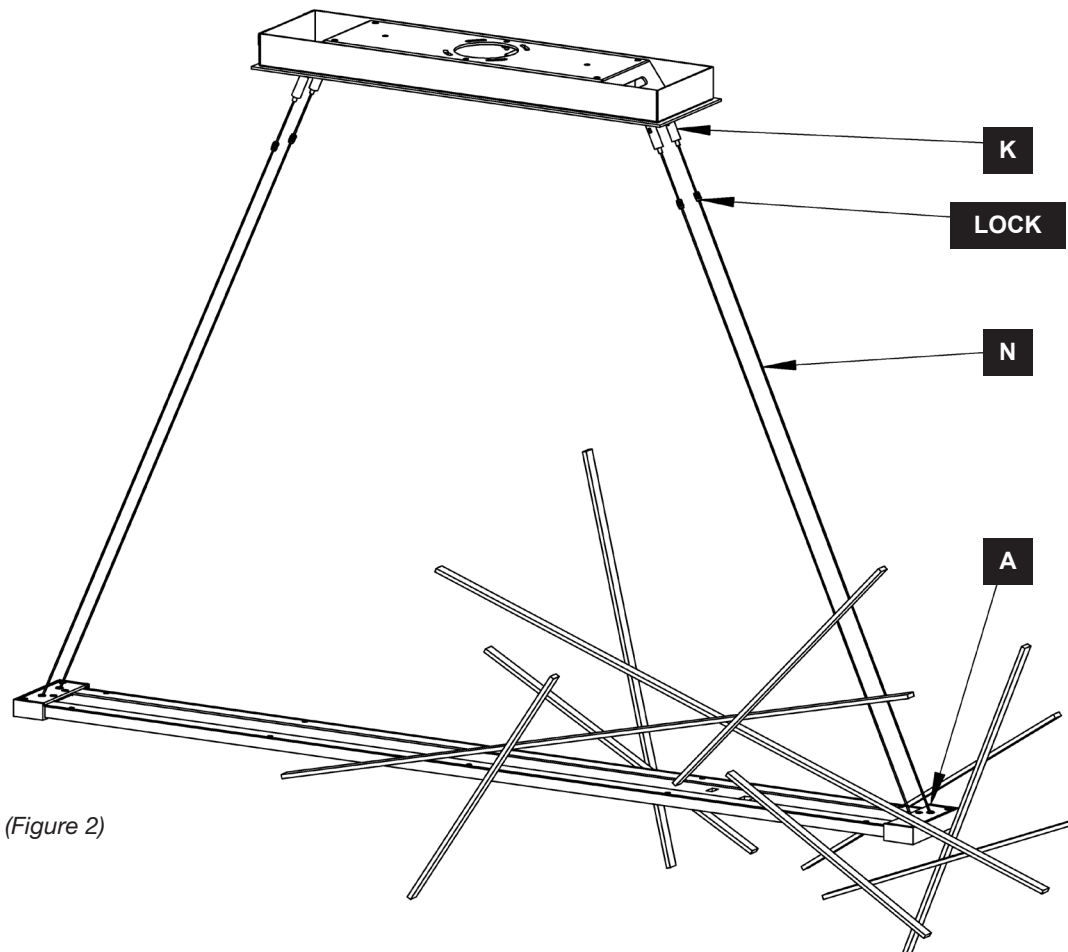
Cascade Pendant 139778

To Install Fixture - Figure 2

1. Locate the positive (+) and negative (-) labels on the top of the fixture (A).
2. Align the positive (+) and negative (-) labels on the fixture (A) with the positive (+) and negative (-) labels on the grippers (K).
3. Slide a gripper (K) lock, small hole end first, onto supply/support cable (N). Repeat for remaining cables (N). Locks are shipped in kit bag.
4. Push the supply/support cables (N) from the positive (+) sides of the fixture (A) into the grippers (K) with the positive (+) labels. Push the cables (N) in far enough so that the cables (N) exit the side of the grippers (K).
5. Repeat step 3 for the negative (-) supply/support cables (N) & grippers (K).
6. Adjust fixture (A) to the desired height by pressing in the plunger on the grippers (K) and pushing/pulling the supply/support cables (N) as necessary.
7. Once the fixture (A) is at the desired height cut the supply/support cables (N) as close to the notch in the gripper (K) as possible.

CAUTION: Once excess cable is cut, fixture cannot be lowered. Be sure that no piece of the supply/support cable is touching the fixture.

8. Slide gripper (K) locks up the supply/support cables (N) and thread onto end of gripper (K) to lock adjustment.

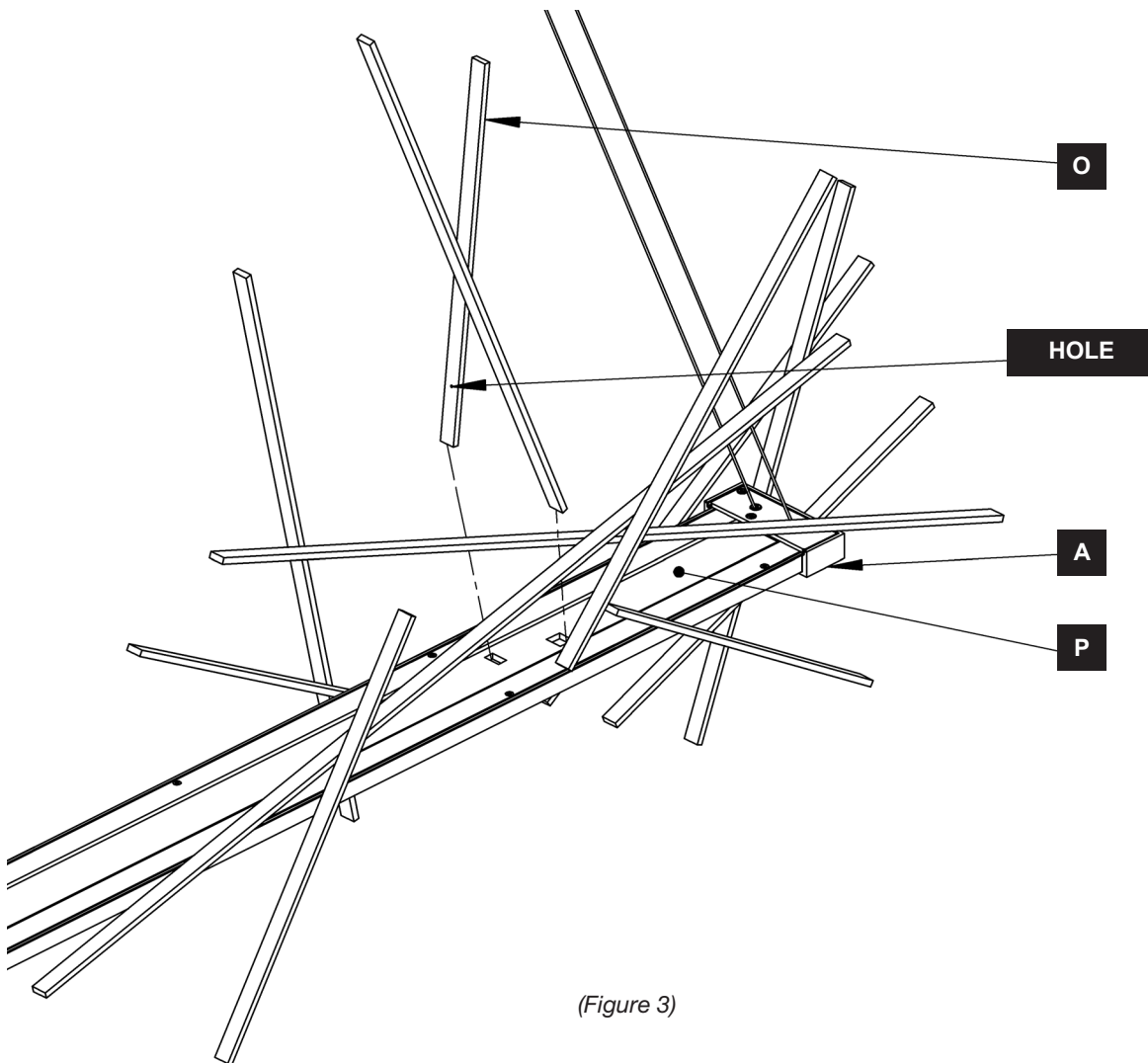


(Figure 2)

continued

To Complete Assembly - (Figure 3)

1. Locate decorative element (O). Take note that one bar has a hole.
2. Place bar without a hole into the acrylic (P) in the fixture (A). Lower element (O) and rotate until bar with the hole passes through acrylic (P). See figure below for orientation of decorative element (O).
3. Decorative element (O) will rest in acrylic (P).
4. Restore electricity at main breaker.



If you need further assistance, or find that you are missing any parts, please contact the dealer from which you purchased this product. We hope you enjoy your fixture!

*** Hubbardton Forge will not be liable for injury or damage caused by improper installation, lamping or use of this fixture.**