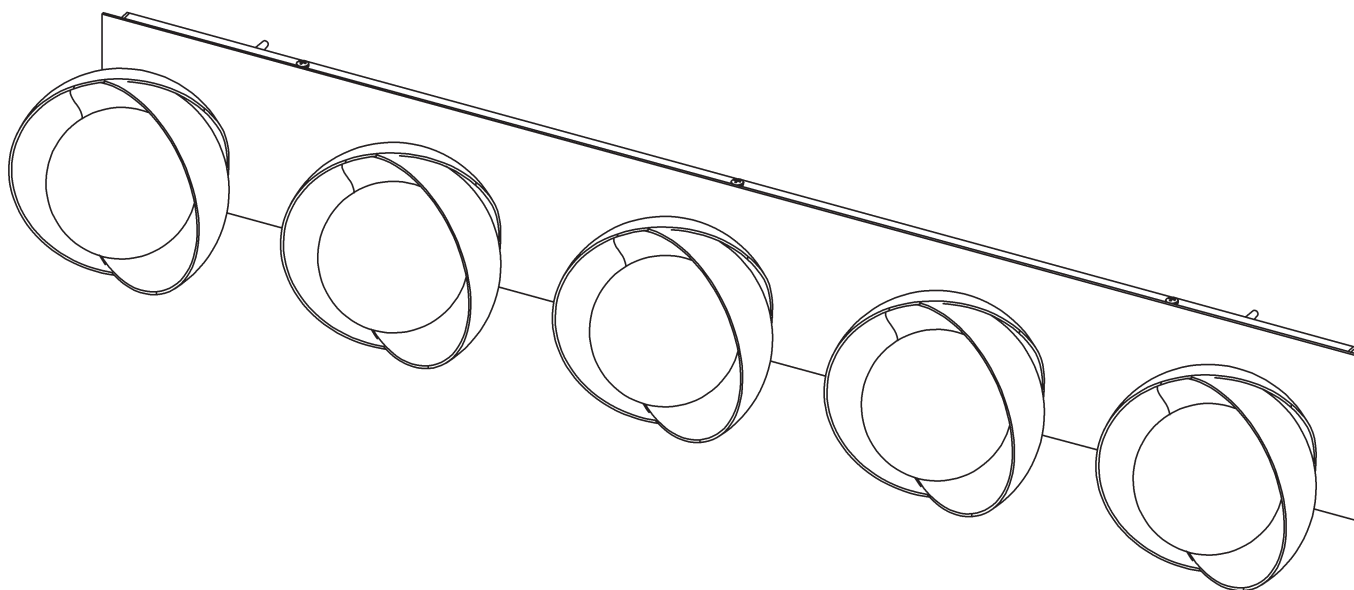


# ASSEMBLY & INSTALLATION INSTRUCTIONS

B471

Brooklyn Straight Double Shade 5 Light Sconce 201379

---



HUBBARDTON FORGE.

**Component Parts**

- A      Fixture**
- B      Mounting Bracket**
- C      Ground Screw**
- D      Cupped Washer**
- E      # 8 Screws (6)**
- F      Nut (10)**
- G      Collar (5)**
- H      Accent Shade (10)**
- I      Socket (5)**
- J      Bulb (not included)**
- K      Glass (5)**
- L      # 10 Screws (4)**
- M      Anchors (4)**

# ASSEMBLY & INSTALLATION INSTRUCTIONS

B471

Brooklyn Straight Double Shade 5 Light Sconce 201379

**CAUTION: FAILURE TO INSTALL THIS FIXTURE PROPERLY MAY RESULT IN SERIOUS PERSONAL INJURY OR DEATH AND PROPERTY DAMAGE.** We recommend installation by a licensed electrician. This product must be installed in accordance with applicable installation code(s), by a person familiar with the construction and operation of the product and the hazards involved.\*

**Caution:** Do not exceed maximum wattage noted on fixture. Use only recommended bulbs with fixture.

*Please Note: After installation extra hardware and accessories are possible; our kits are used on multiple products.*

## To Install Fixture (Figure 1) on following page

**CAUTION: BE SURE POWER IS OFF AT THE MAIN BREAKER BOX PRIOR TO INSTALLATION.**

1. Carefully unpack the fixture (A) from the carton.
2. Take off rubber band and remove mounting bracket (B) from fixture (A).
3. Place the mounting bracket (B) over the electrical box being sure to hold it level. Line up holes in mounting bracket with holes in electrical box. With a pencil, mark the location of all mounting holes in the mounting bracket on the wall behind. Set bracket aside.
4. Drill 1/4" holes in the locations marked on the wall. Place the tapered end of the anchors (M) into the holes and gently tap them flush to the wall using a light weight hammer.
5. Thread the wires in the electrical box through the hole in the mounting bracket (B) while moving the bracket into position. Using (2) screws (not provided), attach the mounting bracket securely to the junction box.  
**Note:** A new electric box comes with screws. When replacing an existing fixture, retain screws for use with the new fixture
6. Using #10 screws (L), screw the bracket securely to the wall. Be careful not to over-tighten or strip the anchors (M).
7. Using suitable wire connectors (not provided) connect fixture wires to supply (white to white and black to black). Attach a pigtail lead to bracket using ground screw (C) and cupped washer (D) found in kit bag. Connect all ground wires (bare copper or green to bare copper or green).

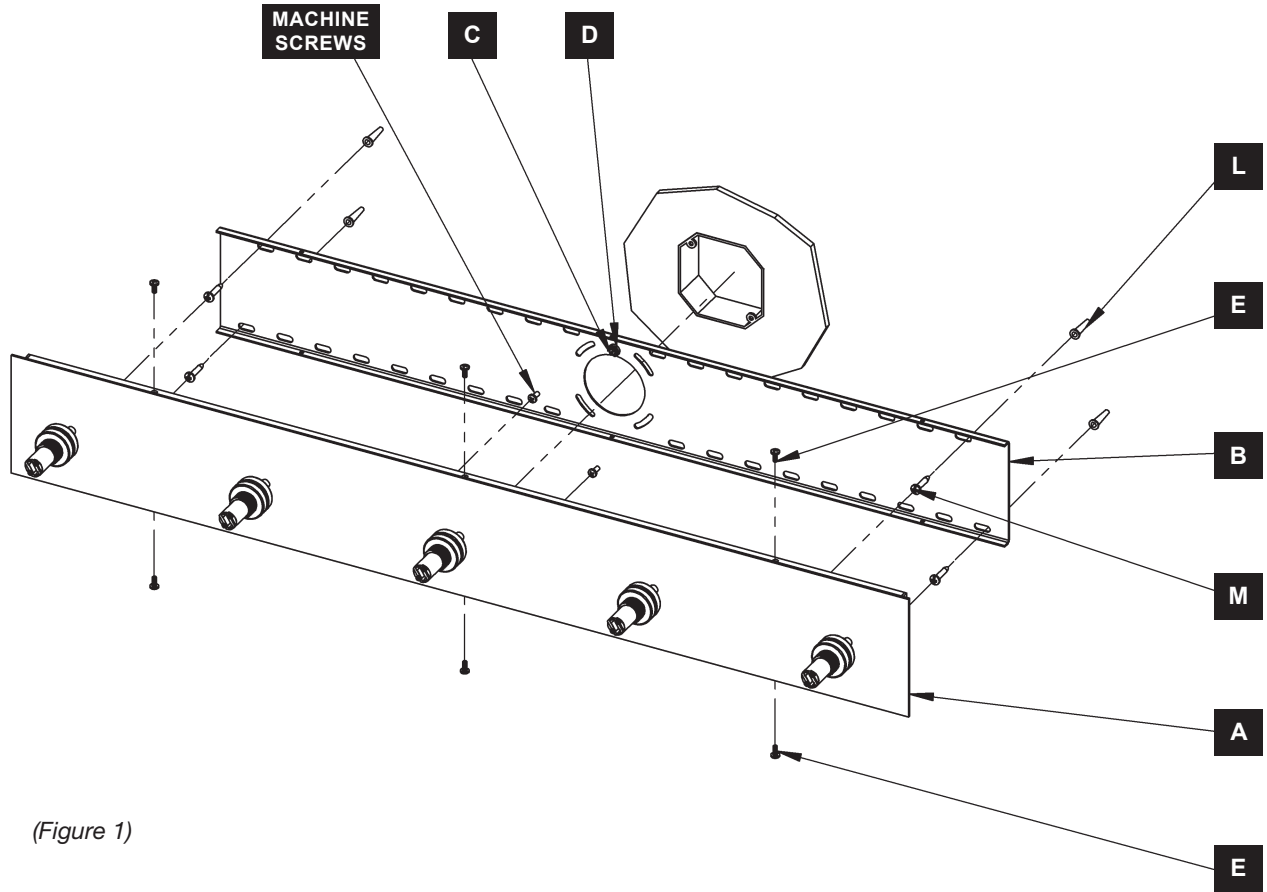
**CAUTION: MAKE SURE WIRE CONNECTORS ARE TWISTED ON SECURELY, AND NO BARE WIRE IS EXPOSED.**

8. Carefully tuck all wires behind fixture, push fixture firmly against the wall. Secure by threading # 8 screws (E) through the holes on the top and bottom of the fixture (A) into bracket (B).  
**Note:** Be sure no wires are pinched between the wall and the fixture.
9. See instructions on the next page for installing accent shades and glass.

# ASSEMBLY & INSTALLATION INSTRUCTIONS

**B471**

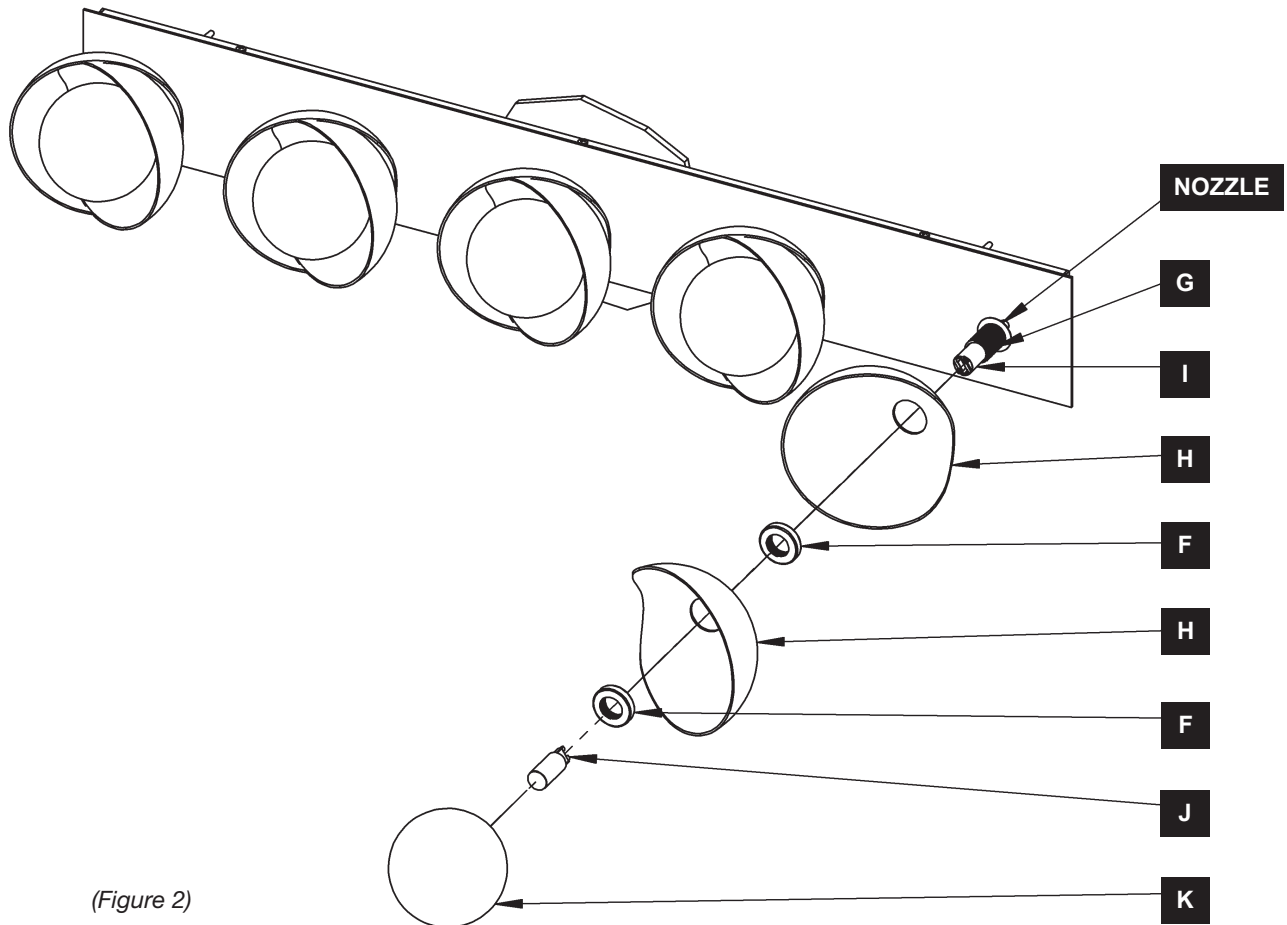
Brooklyn Straight Double Shade 5 Light Sconce 201379



(Figure 1)

## To Install Shades & Glass (Figure 2)

1. Nuts (F) are shipped installed on collar (G). Remove and retain for next steps.
2. Slide accent shade (H) over collar (G) and up against nozzle. Rotate to desired location. Thread nut (F) onto collar (G) to secure shade (H).
3. Slide second accent shade (H) over collar (G) and up against nut (F). Rotate to desired location. Thread nut (F) onto collar (G) to secure second shade (H).
4. Install bulb (J), not included, into socket (I).
5. Carefully unpack glass (K) and thread onto collar (G).
6. Repeat for remaining shades (H) and glass (K).
7. Restore electricity at the main breaker



(Figure 2)

If you need further assistance, or find that you are missing any parts, please contact the dealer from which you purchased this product. We hope you enjoy your fixture!

**\* Hubbardton Forge will not be liable for injury or damage caused by improper installation, lamping or use of this fixture.**