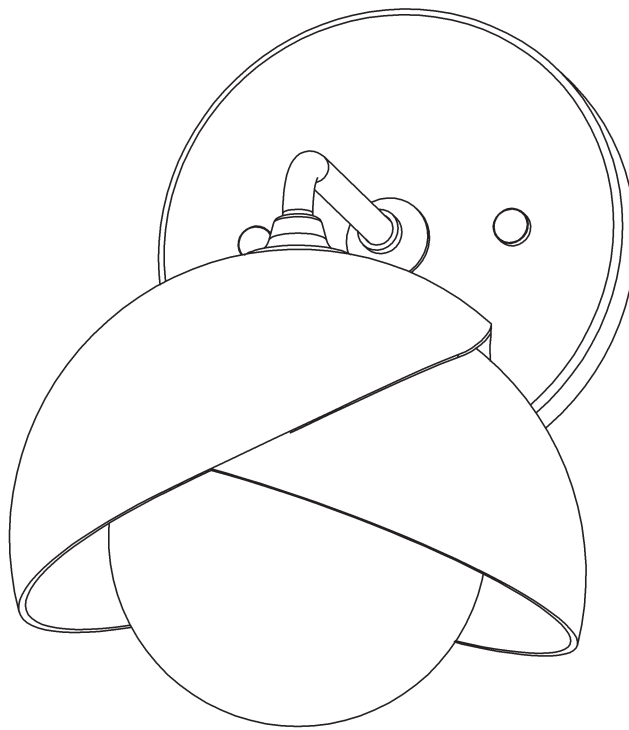


ASSEMBLY & INSTALLATION INSTRUCTIONS

B465

Brooklyn Sconce Double Shade 201374



Component Parts

A	Fixture
B	Crossbar
C	Ground Screw
D	Threaded Stud (2)
E	Knurled Ball (2)
F	Nut (2)
G	Collar
H	Accent Shade (2)
I	Socket
J	Bulb (not included)
K	Glass



Brooklyn Sconce Double Shade 201374

CAUTION: FAILURE TO INSTALL THIS FIXTURE PROPERLY MAY RESULT IN SERIOUS PERSONAL INJURY OR DEATH AND PROPERTY DAMAGE. We recommend installation by a licensed electrician. This product must be installed in accordance with applicable installation code(s), by a person familiar with the construction and operation of the product and the hazards involved.*

Caution: Do not exceed maximum wattage noted on fixture. Use only recommended bulbs with fixture.

Please Note: After installation extra hardware and accessories are possible; our kits are used on multiple products.

To Install Fixture (Figure 1)

CAUTION: BE SURE POWER IS OFF AT THE MAIN BREAKER BOX PRIOR TO INSTALLATION.

1. Carefully unpack the fixture (A) from the carton.
2. Thread two studs (D) into the appropriate holes in the crossbar (B) that align with fixture (A) and desired orientation.
3. Using two machine screws (not provided) attach crossbar (B) to the electric box using outer oval holes to orient fixture.

Note: A new electric box comes with screws. When replacing a fixture, retain the existing screws for use with the new fixture.

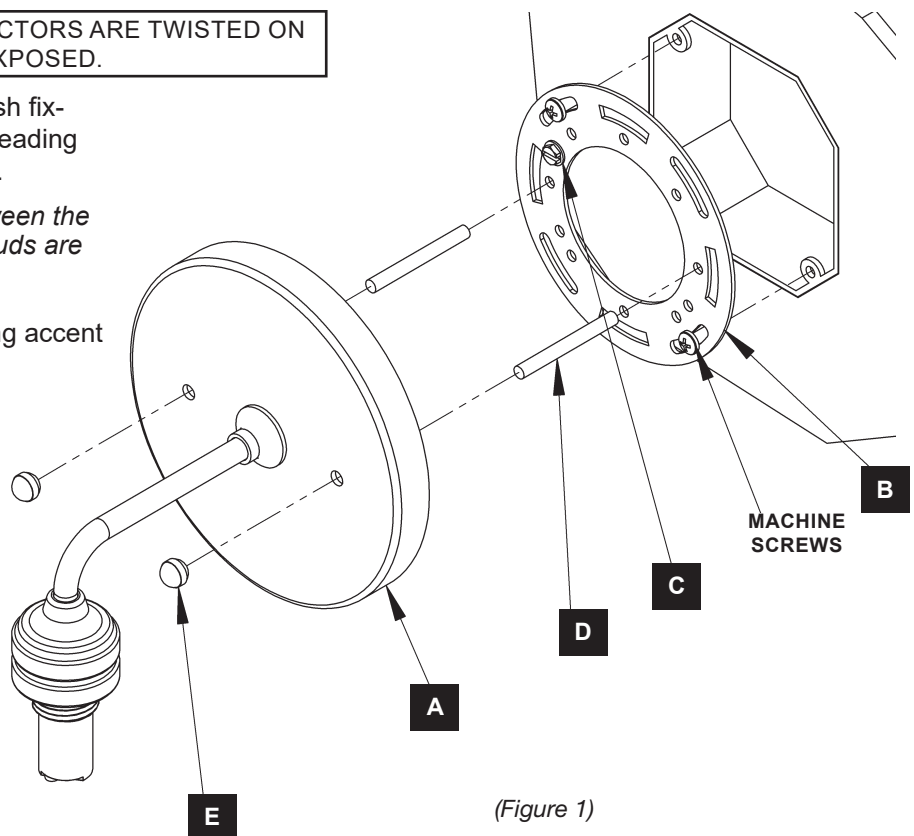
4. Adjust the studs (D) to proper length to ensure the fixture will fit snugly against the wall.
5. Using suitable wire connectors (not provided) connect fixture wires to supply (white to white and black to black). Attach a pigtail lead to the crossbar ground screw (C). Connect all ground wires (bare copper or green to bare copper or green).

CAUTION: MAKE SURE WIRE CONNECTORS ARE TWISTED ON SECURELY, AND NO BARE WIRE IS EXPOSED.

6. Carefully tuck all wires behind fixture, push fixture firmly against the wall. Secure by threading knurled balls (E) onto threaded studs (D).

Note: Be sure no wires are pinched between the wall and the fixture. Be sure threaded studs are fully seated in knobs.

7. See instructions on next page for installing accent shade and glass.

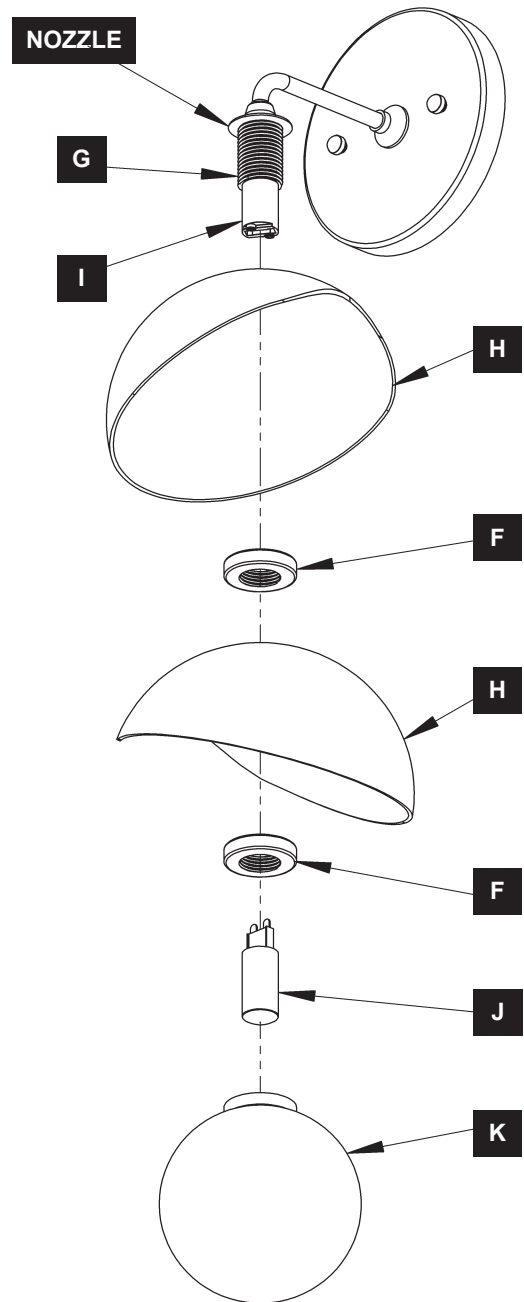


(Figure 1)

Brooklyn Sconce Double Shade 201374

To Install Shades & Glass (Figure 2)

1. Nuts (F) are shipped installed on collar (G). Remove and retain for next steps.
2. Slide accent shade (H) over collar (G) and up against nozzle. Rotate to desired location. Thread nut (F) onto collar (G) to secure shade (H).
3. Slide second accent shade (H) over collar (G) and up against nut (F). Rotate to desired location. Thread nut (F) onto collar (G) to secure second shade (H).
4. Install bulb (J), not included, into socket (I).
5. Carefully unpack glass (K) and thread onto collar (G).
6. Restore electricity at the main breaker



(Figure 2)

If you need further assistance, or find that you are missing any parts, please contact the dealer from which you purchased this product. We hope you enjoy your fixture!

** Hubbardton Forge will not be liable for injury or damage caused by improper installation, lamping or use of this fixture.*