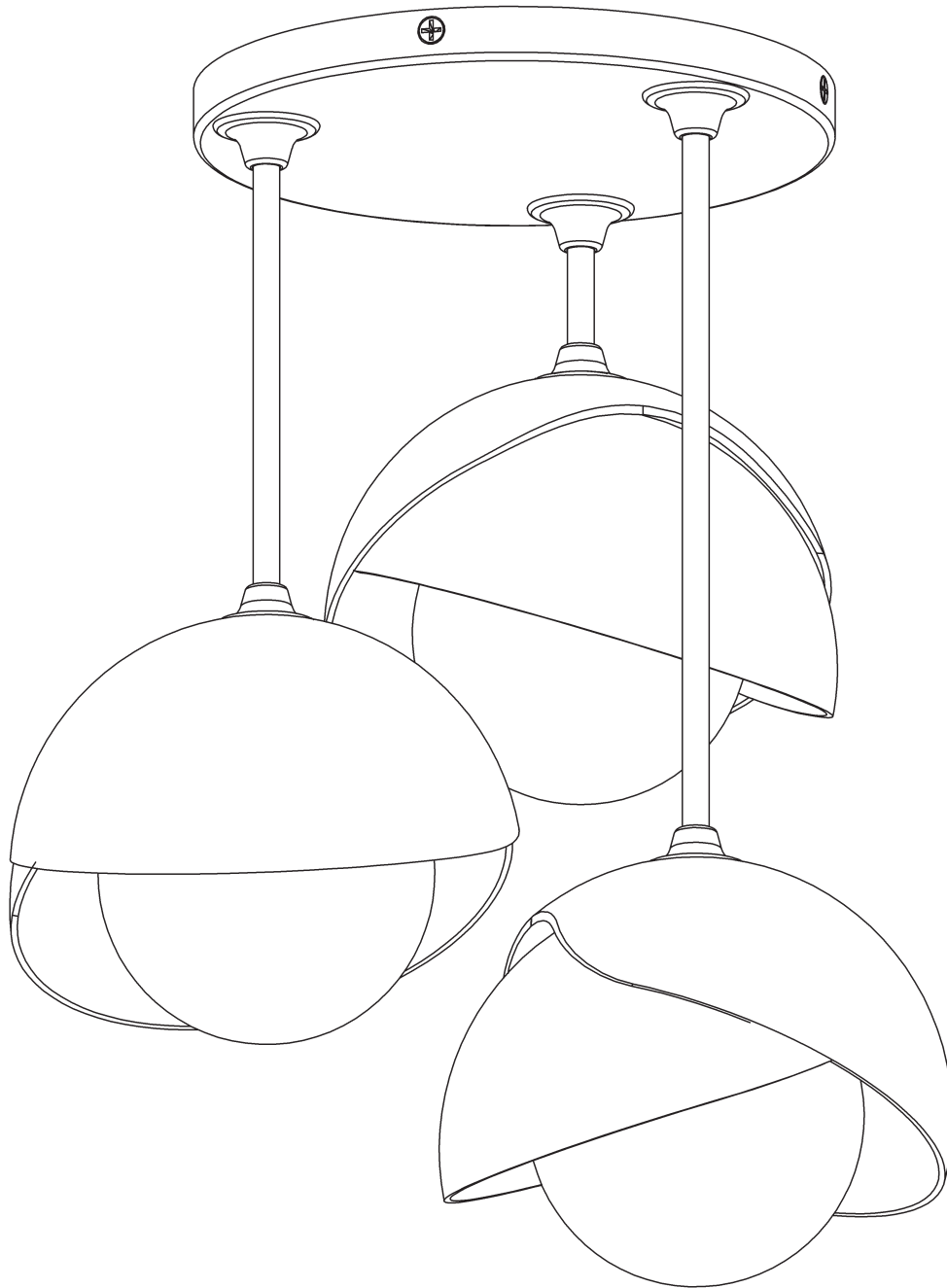


ASSEMBLY & INSTALLATION INSTRUCTIONS

Brooklyn 3lt Semi Flush 121374

A749



Component Parts

A	Fixture
B	Mounting Bracket
C	Ground Screw
D	Cupped Washer
E	#8 Screws (4)
F	Nut (6)
G	Collar (3)
H	Socket (3)
I	Accent Shade (6)
J	Bulb - Not Included (3)
K	Glass (3)



ASSEMBLY & INSTALLATION INSTRUCTIONS

A749

Brooklyn 3lt Semi Flush 121374

CAUTION: FAILURE TO INSTALL THIS FIXTURE PROPERLY MAY RESULT IN SERIOUS PERSONAL INJURY OR DEATH AND PROPERTY DAMAGE. We recommend installation by a licensed electrician. This product must be installed in accordance with applicable installation code(s), by a person familiar with the construction and operation of the product and the hazards involved.*

Caution: Do not exceed maximum wattage noted on fixture. Use only recommended bulbs with fixture.

Please Note: After installation extra hardware and accessories are possible; our kits are used on multiple products.

To Install Fixture (Figure 1)

CAUTION: BE SURE POWER IS OFF AT THE MAIN BREAKER BOX PRIOR TO INSTALLATION.

1. Carefully unpack the fixture (A) from the carton.
2. Mounting bracket (B) is shipped installed in fixture (A). Remove #8 screws (E) to separate. Retain screws for later use.
3. Using two machine screws (not provided) attach crossbar (B) to the electric box using oval holes to orient fixture.

Note: A new electric box comes with screws. When replacing a fixture, retain the existing screws for use with the new fixture.

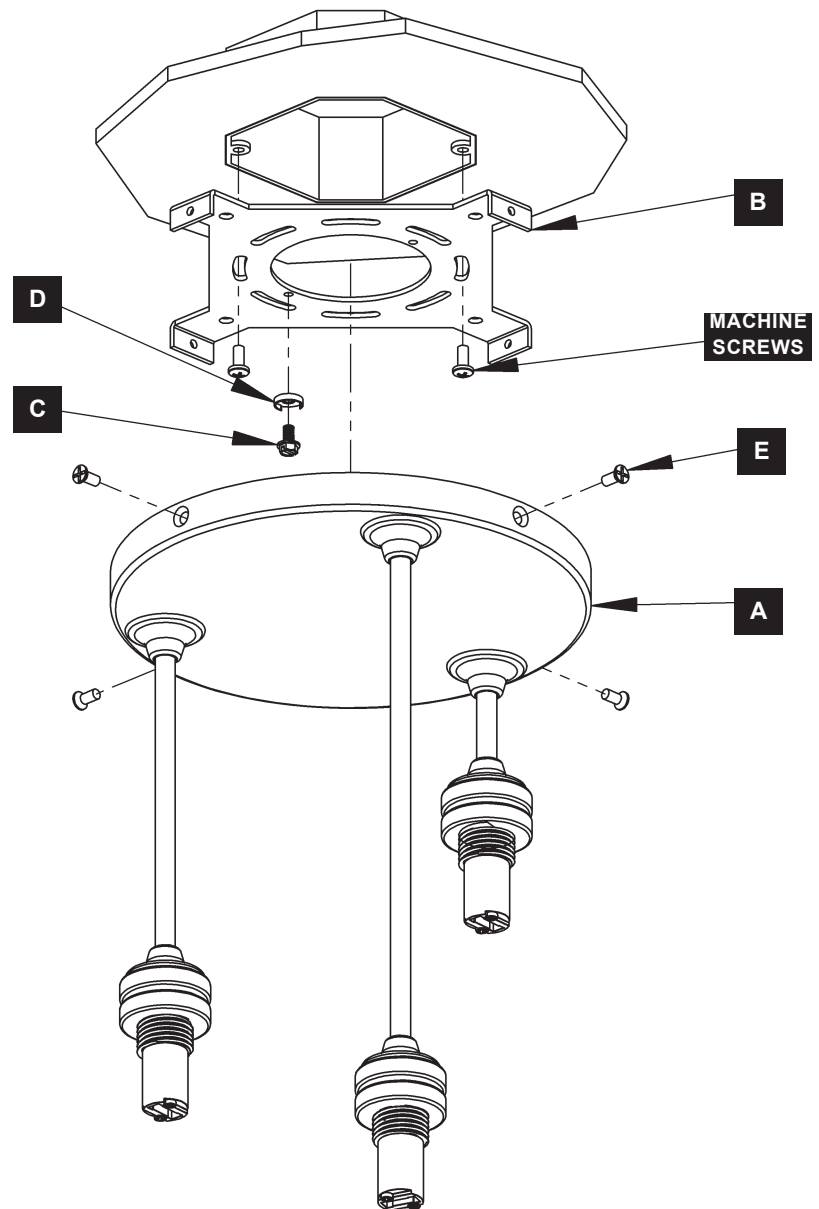
4. Hold fixture (A) close to ceiling. Using suitable wire connectors (not provided) connect fixture wires to supply (white to white and black to black). Attach a pigtail lead to bracket (B) using ground screw (C) and cupped washer (D) found in kit bag. Connect all ground wires (bare copper or green to bare copper or green).

CAUTION: MAKE SURE WIRE CONNECTORS ARE TWISTED ON SECURELY, AND NO BARE WIRE IS EXPOSED.

5. Carefully tuck all wires inside fixture (A), push fixture firmly against the ceiling.
6. Align holes in fixture (A) with holes in bracket (B) and secure with (4) #8 screws (E). For ease of install, start all screws before tightening completely.

Note: Be sure no wires are pinched between the ceiling and the fixture.

7. See instructions on next page to complete installation.

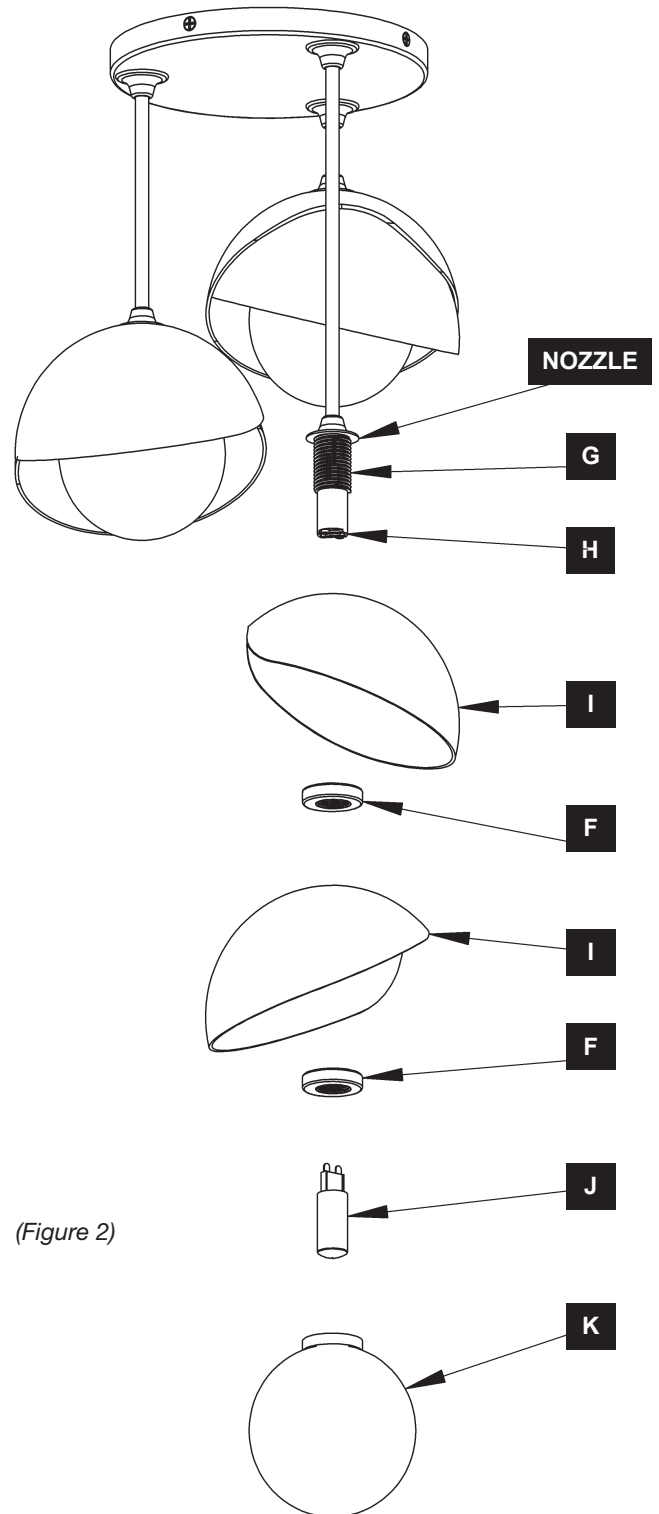


(Figure 1)

Brooklyn 3lt Semi Flush 121374

To Install Accent Shades and Glass *(Figure 2)*

1. Nuts (F) are shipped installed on collar (G). Remove and retain for next steps.
2. Slide accent shade (I) over collar (G) and up against nozzle. Rotate to desired location. Thread nut (F) onto collar (G) to secure shade (I).
3. Slide second accent shade (I) over collar (G) and up against nut (F). Rotate to desired location. Thread nut (F) onto collar (G) to secure second shade (I).
4. Install bulb (J), not included, into socket (H).
5. Carefully unpack glass (K) and thread onto collar (G).
6. Repeat for remaining shades (I), bulbs (J), and glass (K).
7. Restore electricity at the main breaker



(Figure 2)

If you need further assistance, or find that you are missing any parts, please contact the dealer from which you purchased this product. We hope you enjoy your fixture!

** Hubbardton Forge will not be liable for injury or damage caused by improper installation, lamping or use of this fixture.*