

Assembly & Installation Instructions

Brindille Semi-Flush 127660 & 127663

A312

Page 1 of 3

CAUTION: FAILURE TO INSTALL THIS FIXTURE PROPERLY MAY RESULT IN SERIOUS PERSONAL INJURY OR DEATH AND PROPERTY DAMAGE. We recommend installation by a licensed electrician.

This product must be installed in accordance with applicable installation code(s), by a person familiar with the construction and operation of the product and the hazards involved.*

Caution: Do not exceed maximum wattage noted on fixture. Use only recommended bulbs with fixture.

To Install Fixture (Figure 1)

Component Parts

- A Ground Screw
- B Cross Bar
- C Threaded Stud (3)
- D Canopy
- E Barrel Knobs (3)

Caution: Be sure power is off at the main breaker box prior to installation

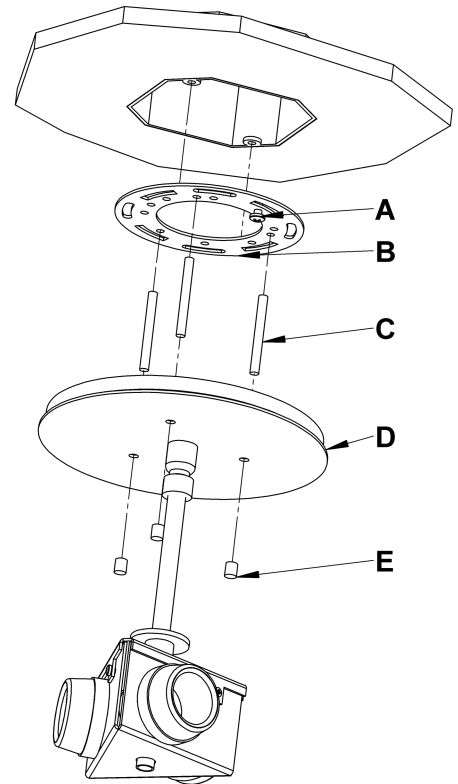
1. Carefully unpack the fixture from the carton.
2. Thread studs (C) through appropriate holes in cross bar (B) to match hole centers in canopy (D). Move ground screw (A) to another available threaded hole if necessary.
3. Using two machine screws (not provided) fasten cross bar (B) to the electric box using outer oval holes to orient fixture to desired hanging position.

Note: A new electric box comes with screws. When replacing an existing fixture, retain the screws for use with the new fixture.

4. Using suitable wire connectors (not provided); connect fixture wires to supply wires (white to white and black to black). Connect all ground wires to green ground screw (A).

Caution: Make sure wire connectors are twisted on securely, and no bare wire is exposed.

5. Slide fixture canopy (D) over threaded studs and push firmly to ceiling, making sure that no wires are pinched between fixture canopy and ceiling. Fasten with barrel knobs (E). Be sure studs (C) are fully seated in barrel knobs (E).



(Figure 1)

(continued)

Assembly & Installation Instructions

Brindille Semi-Flush 127660 & 127663

A312

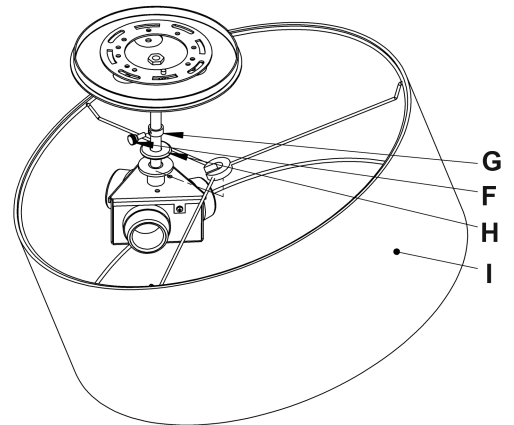
Page 2 of 3

To Install Shade (Figures 2 & 3)

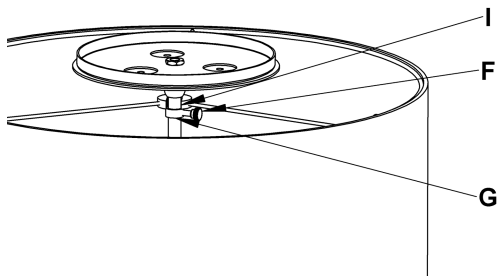
Component Parts

- F Thumb Screw
- G Collar
- H Checkring
- I Shade

1. Tilt shade (I) and lift over socket. (Figure 2)
2. Loosen thumb screw (F) and slide collar (G) to the top of the pipe, leaving a small gap for the shade (I).
3. Tighten thumb screw (F) to secure collar and place shade (I) on top of collar so it is out of the way for the next steps



(Figure 2)



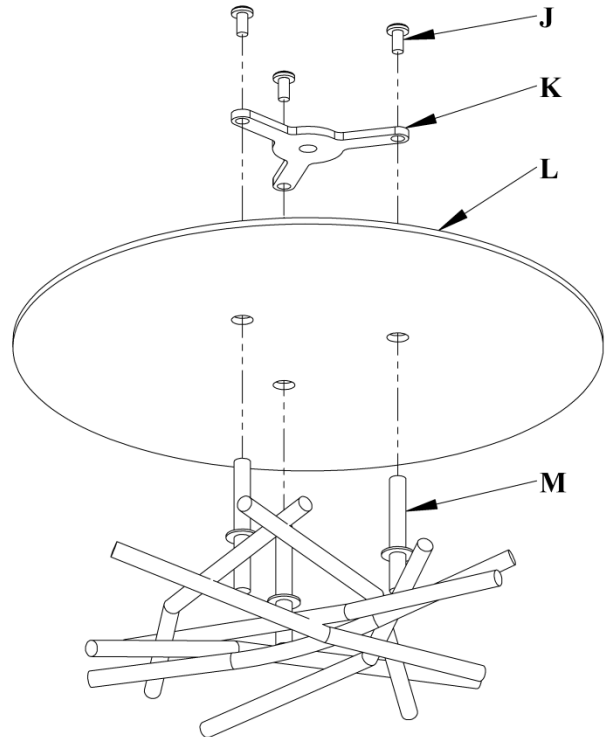
(Figure 3)

To Install Diffuser (Figure 4)

Component Parts

- J 1/4-20 Screw (3)
- K Spider
- L Diffuser
- M Lower Assembly

1. Remove 1/4-20 screws (J) and spider (K) from the lower assembly (M) and set aside
2. Align holes in diffuser (L) with the three studs on the lower assembly (M). Lower diffuser (L) onto lower assembly (M)
3. Replace spider (K) and 1/4-20 screws (J) and tighten.



(Figure 4)

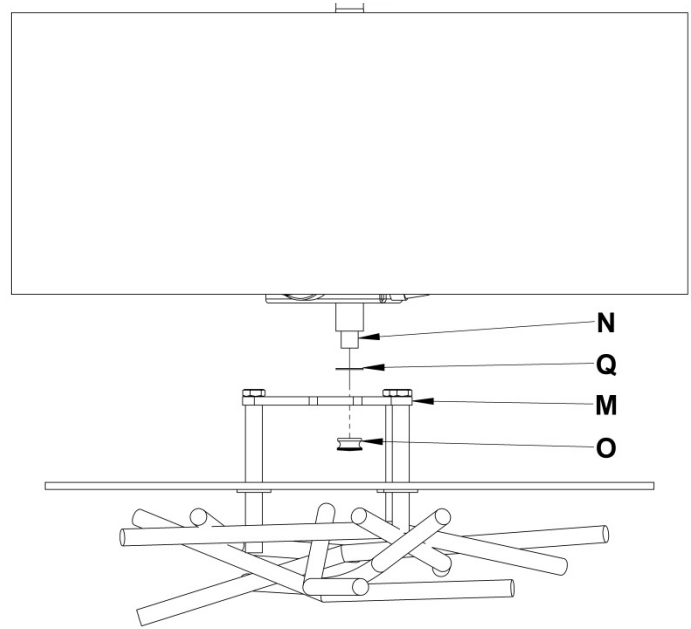
(continued)

To Install Lower Assembly (Figures 5 & 6)

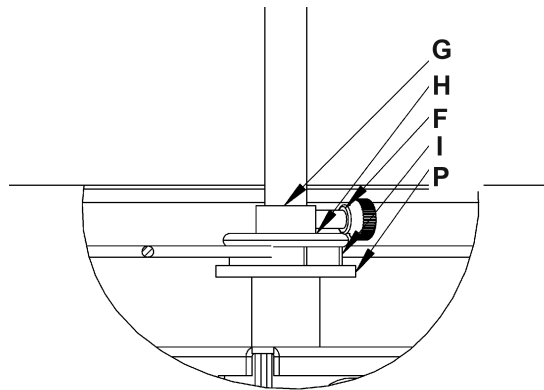
Component Parts

- M Lower Assembly
- N Threaded Nipple
- O Cap
- P Washer
- Q Lock Washer

1. Remove cap (O) and lock washer (Q) from nipple (N). *Parts ship installed; retain for later use.*
2. Feed lock washer (Q) over nipple (N).
3. Align center hole in the lower assembly (M) with the threaded nipple (N) and lift over nipple.
4. While holding lower assembly (M) over the threaded nipple (N), twist cap (O) onto the nipple and tighten
Note: Cap (O) must be snug against lower assembly (M) to prevent lower assembly from tipping.
5. Slide shade (I) off of collar (G) and lower it onto the washer (P) making sure it is below the checkring (H) (Figure 6).
6. Lower checkring (H) followed by collar (G) and andtighten against the slotted washer of the shade. Tighten thumb screw (F) to hold in place.



(Figure 5)



(Figure 6)

If you need further assistance, or find that you are missing any parts, please contact the dealer from which you purchased this product. We hope you enjoy your fixture!

* Hubbardton Forge will not be liable for injury or damage caused by improper installation, lamping or use of this fixture.