

Shade Installation Instructions

C45

Brindille Floor Lamp 237660 & 237660C

To Install Glass Diffuser (Figures 1 - 3)

Component Parts

- A Finial
- B Washer
- C Diffuser
- D Shade
- E Harp
- F Socket Knob
- G Harp Holder
- H Socket
- I Locks (2)

1. Carefully unpack the lamp from the carton.
2. Install socket knob (F) onto socket (Figure 1).
3. Remove finial (A) from harp (E) and save for later use. *Finial is shipped installed on harp.*
4. Squeeze harp (E) together while holding the locks (I) up towards the top of the harp (E) and slip into harp holder (G) (Figure 1).
5. Allow locks (I) to slip down harp (E) and onto harp holder (G) to secure harp in place.
6. Install bulb (included on C version).
7. Slip shade (D), diffuser (C) and washer (B) onto threaded stud on top of harp (E). See Figure 3 for washer orientation.
8. Thread finial (A) onto threaded stud on harp (E) and tighten until snug. *Be careful not to over tighten.*

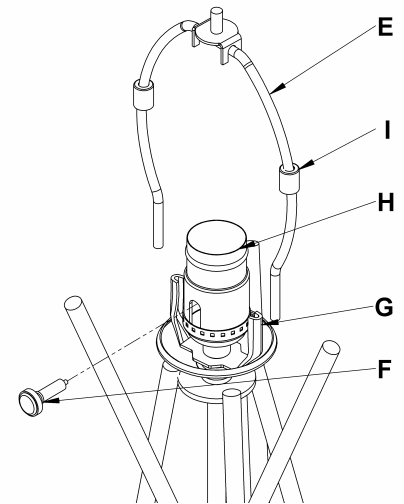


Figure 1

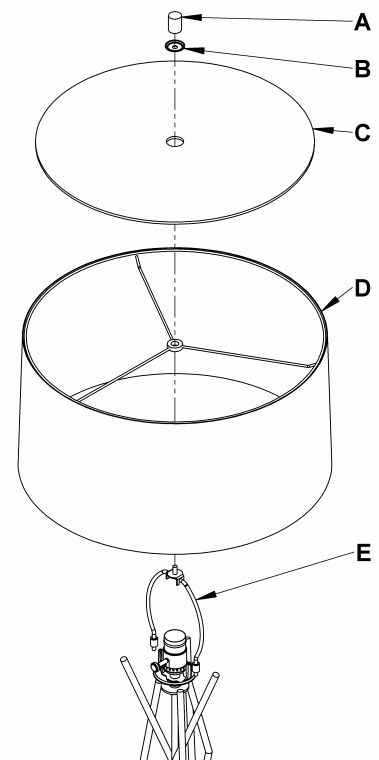


Figure 2

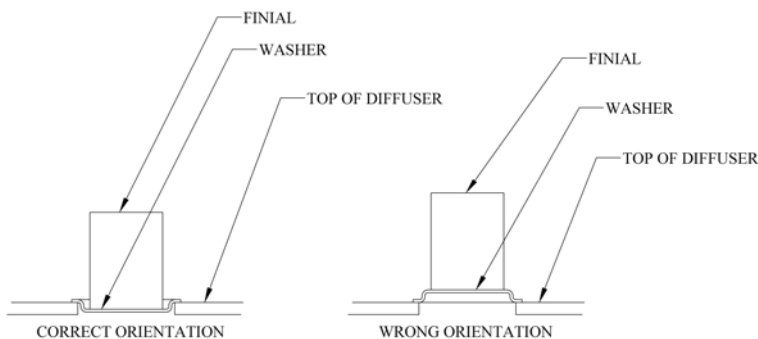


Figure 3

If you need further assistance, or find that you are missing any parts, please contact the dealer from which you purchased this product. We hope you enjoy your fixture!

* Hubbardton Forge will not be liable for injury or damage caused by improper installation, lamping or use of this fixture.

This portable lamp has a polarized plug (one blade is wider than the other). As a safety feature this plug will fit in a polarized outlet only one way. If the plug does not fit fully in the outlet, reverse the plug. If it still does not fit, contact a qualified electrician.

Never use with an extension cord unless plug can be fully inserted.

Do not attempt to defeat this safety feature.

Indications Importantes De Securite

Cette lampe portative a une prise de courant polarisee (une fiche est plus large que l'autre). Par mesure de securite, cette prise ne s'engagera dans une prise polarisee que dans un seul sens. Si la prise ne s'engage pas completement, faites renverser la prise. Si elle n'engage toujours pas, contactez un electricien competent.

Ne l'utilisez avec un prolongateur que si la prise s'engage completement.

N'essayez pas de toucher a cette mesure de securite.

A note about California State Statute Title 20



The California Energy Commission has established the Title 20 Code of Regulations. This statute's primary intention is to reduce energy consumption in the home.

Title 20 requires that all portable lamps sold within the State of California after January 1, 2010 shall have high efficiency lighting sources. The statute allows for a number of compliance options including Compact Fluorescent Bulbs (CFL), LED light sources, and the new GU-24 lighting platform.

Your product will include one of these new lighting sources as a result of Hubbardton Forge's compliance with California's Title 20.

For additional information regarding the California Statute Title 20, please refer to the California energy website <http://www.energy.ca.gov/siting/title20>.