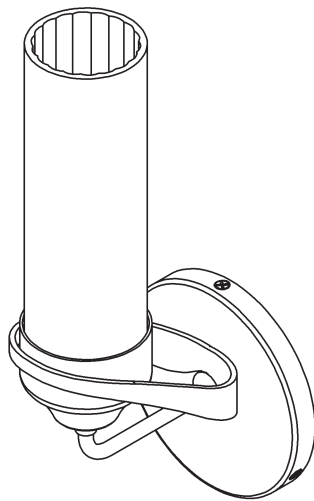


ASSEMBLY & INSTALLATION INSTRUCTIONS

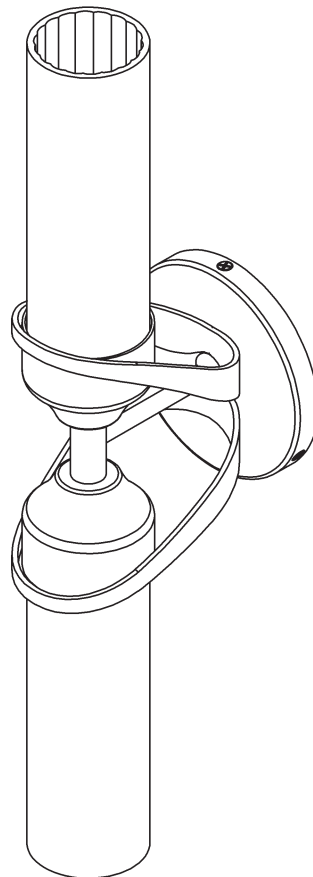
B475

Bow 1 Light 201344 and 2 Light 201346 Sconces



201344

(Shown in Instructions)



201346



HUBBARDTON FORGE.

ASSEMBLY & INSTALLATION INSTRUCTIONS

B475

Bow 1 Light 201344 and 2 Light 201346 Sconces

Component Parts

A	Fixture
B	Mounting Bracket
C	Ground Screw
D	Cupped Washer
E	#8 Screws (3)
F	Socket
G	Bulb (not included)
H	Glass
I	Retaining Ring
J	Retaining Ring Tool



ASSEMBLY & INSTALLATION INSTRUCTIONS

B475

Bow 1 Light 201344 and 2 Light 201346 Sconces

CAUTION: FAILURE TO INSTALL THIS FIXTURE PROPERLY MAY RESULT IN SERIOUS PERSONAL INJURY OR DEATH AND PROPERTY DAMAGE. We recommend installation by a licensed electrician. This product must be installed in accordance with applicable installation code(s), by a person familiar with the construction and operation of the product and the hazards involved.*

Caution: Do not exceed maximum wattage noted on fixture. Use only recommended bulbs with fixture.

Please Note: After installation extra hardware and accessories are possible; our kits are used on multiple products.

To Install Fixture (Figure 1)

CAUTION: BE SURE POWER IS OFF AT THE MAIN BREAKER BOX PRIOR TO INSTALLATION.

1. Carefully unpack the fixture (A) from the carton. Mounting bracket (B) is shipped installed in fixture (A). Remove #8 screws (E) to separate. Retain screws for later use.
2. Using two machine screws (not provided) attach mounting bracket (B) to the electric box using oval holes to orient fixture.

Note: A new electric box comes with screws. When replacing a fixture, retain the existing screws for use with the new fixture.

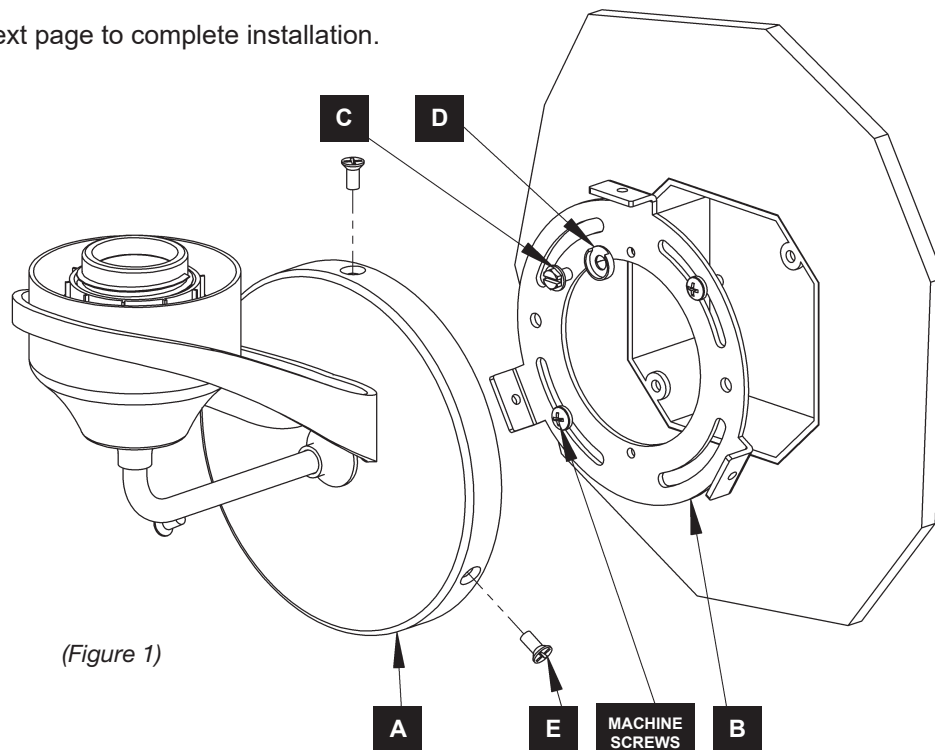
3. Hold fixture (A) close to wall. Using suitable wire connectors (not provided) connect fixture wires to supply (white to white and black to black). Attach a pigtail lead to bracket (B) using ground screw (C) and cupped washer (D). Connect all ground wires (bare copper or green to bare copper or green).

CAUTION: MAKE SURE WIRE CONNECTORS ARE TWISTED ON SECURELY, AND NO BARE WIRE IS EXPOSED.

4. Carefully tuck all wires inside fixture (A), push fixture firmly against wall.
5. Align holes in fixture (A) with holes in bracket (B) and secure with (3) #8 screws (E). For ease of install, start all screws before tightening completely.

Note: Be sure no wires are pinched between the wall and the fixture.

6. See instructions on next page to complete installation.



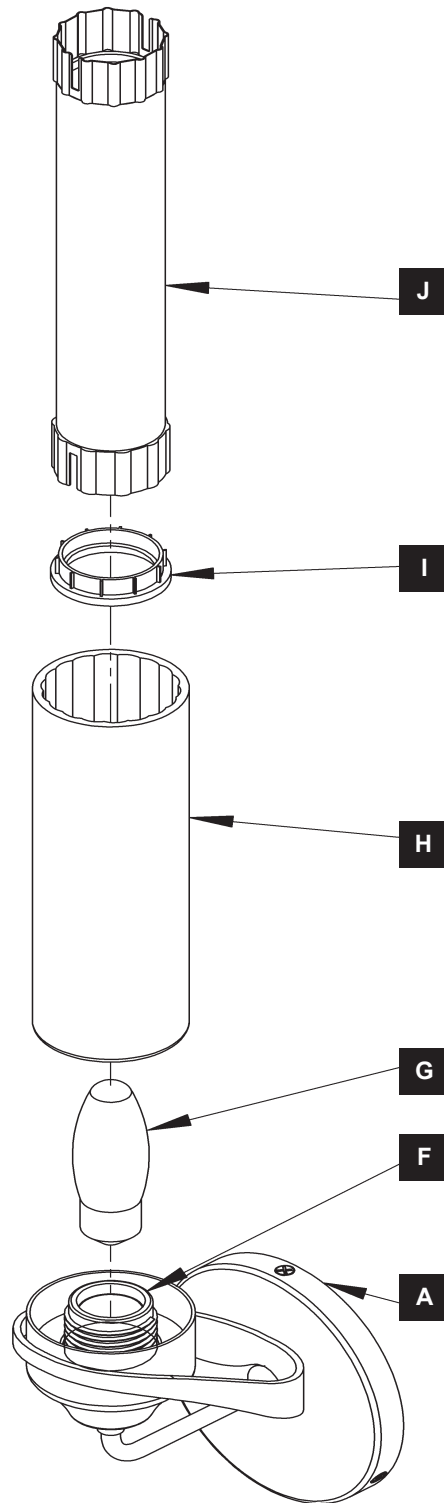
Bow 1 Light 201344 and 2 Light 201346 Sconces

To Install Glass *(Figure 2)*

1. Install bulb (G), not included, into socket (F).
2. Carefully unpack glass (H) and slide over bulb until it rests on fixture (A).
3. Place retaining ring (I) into retaining ring tool (J). Thread retaining ring (I) onto socket to secure glass (H).

Note: *Be sure not to overtighten as this could break glass.*

4. Repeat for remaining sockets & glass if installing 2 light version.
5. Restore electricity at the main breaker



(Figure 2)

If you need further assistance, or find that you are missing any parts, please contact the dealer from which you purchased this product. We hope you enjoy your fixture!

** Hubbardton Forge will not be liable for injury or damage caused by improper installation, lamping or use of this fixture.*