

Installation Instructions

G2

For Post and Pier Mounted Outdoor Fixtures

Page 1 of 2

CAUTION: FAILURE TO INSTALL THIS FIXTURE PROPERLY MAY RESULT IN SERIOUS PERSONAL INJURY OR DEATH AND PROPERTY DAMAGE. We recommend installation by a licensed electrician. This product must be installed in accordance with applicable installation code(s), by a person familiar with the construction and operation of the product and the hazards involved.*

Caution: Do not exceed maximum wattage noted on fixture. Use only recommended bulbs with fixture.

To Install

Component Parts

Note: Fixture, Post and Cover Cap each sold separately.

- | | |
|---------------------|-------------------------------|
| A J Bolts | F Cover Cap (sold separately) |
| B Fixture post | G Fixture |
| C Washers (4) | H Set screw |
| D Split washers (4) | I Glass |
| E 5/16 nuts (4) | J Rubber Strip |
| | K Fixture Collar |

CAUTION: BE SURE POWER IS OFF AT THE MAIN BREAKER BOX PRIOR TO INSTALLATION.

Site Preparation

1. Run appropriate wiring to the site of the fixture, leaving enough excess wire to reach the top of the post, plus 12 inches.
2. Pour flat and level concrete base with wiring emerging at the center. Insert J bolts (A) so approximately 1" of the bolts are exposed above the concrete. Position J bolts according to the supplied template. Allow concrete to cure before installing fixture.

Installation

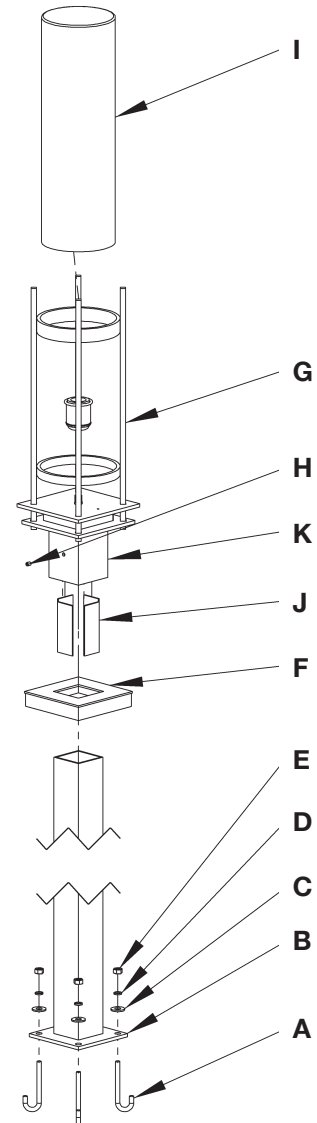
Note: Post may be cut to length as desired before installation begins.

1. Position post over J bolts allowing supply wire to run up through the post and secure using washers (C), split washers (D) and nuts (E).
2. Place optional cover cap (sold separately) (F) over post to conceal mounting hardware.
3. Connect fixture wires to supply wires using appropriate wire connectors (not provided), black to black, white to white and bare copper or green to bare copper or green. If fixture is wired with twin lead lamp cord, connect smooth side of fixture wire to black and ridged side to white.

(Continued)

If you need further assistance, or find that you are missing any parts, please contact the dealer from which you purchased this product. We hope you enjoy your fixture!

* Hubbardton Forge will not be liable for injury or damage caused by improper installation, lamping or use of this fixture.



This illustration represents a typical fixture and may not match every style.

Installation Instructions

G2

For Post and Pier Mounted Outdoor Fixtures

Page 2 of 2

To Install

(Continued)

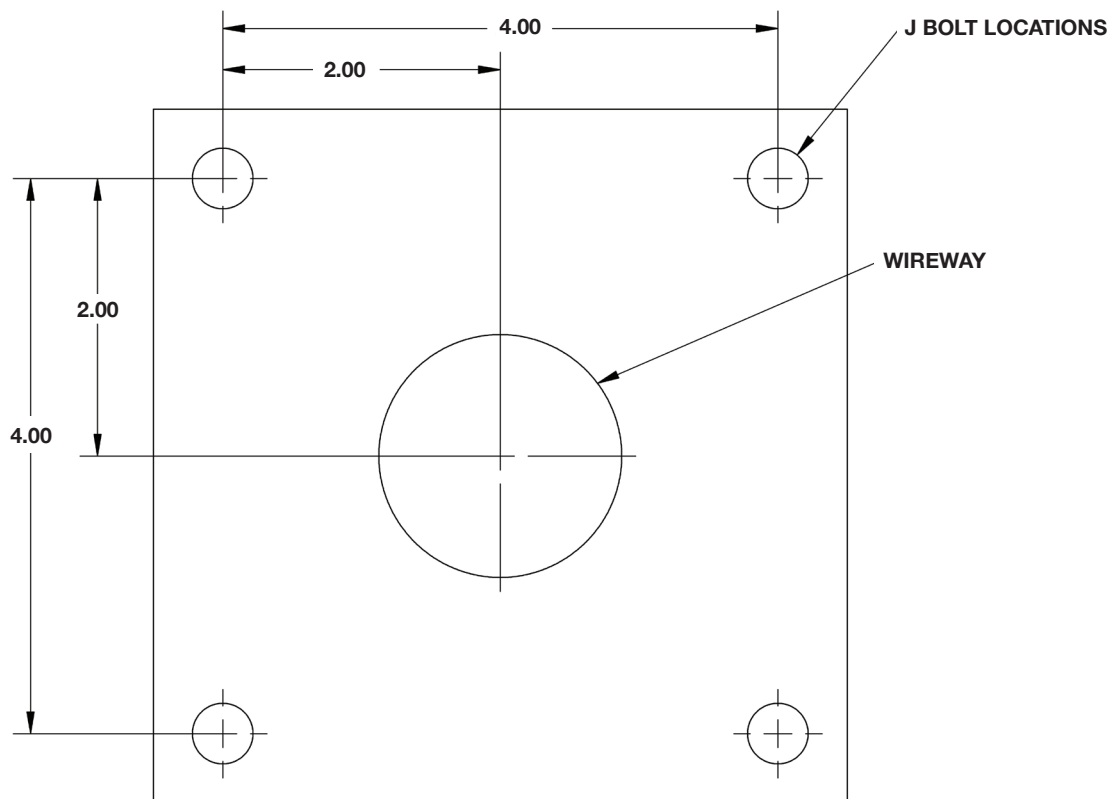
Installation

4. Install the rubber strip (J) centered on each inside wall of the fixture collar.
5. Place fixture (G) onto post carefully tucking all wiring down into post and making sure no wires are pinched between the post and the fixture. Secure with set screw (H).
6. Install 150-watt max type A light bulb and glass (I).

Note: The glass tube is mouth blown. Minor irregularities, including being slightly out of round, are normal. It may be necessary to turn the glass in relation to the fixture to achieve a good fit.

7. Restore electricity to breaker.

Use this template to position J bolts and wireway in concrete slab prior to installing outdoor post mounted lighting fixture.



If you need further assistance, or find that you are missing any parts, please contact the dealer from which you purchased this product. We hope you enjoy your fixture!

*Hubbardton Forge will not be liable for injury or damage caused by improper installation, lamping or use of this fixture.