

Installation Instructions

Axis Outdoor Sconce 30-6405

B220

Page 1 of 3

CAUTION: FAILURE TO INSTALL THIS FIXTURE PROPERLY MAY RESULT IN SERIOUS PERSONAL INJURY OR DEATH AND PROPERTY DAMAGE. We recommend installation by a licensed electrician.

This product must be installed in accordance with applicable installation code(s), by a person familiar with the construction and operation of the product and the hazards involved.*

Caution: Do not exceed maximum wattage noted on fixture. Use only recommended bulbs with fixture.

Please Note: This fixture is designed to be mounted on a standard wall surface and may not be suitable for all applications. If installing in a non-wood frame application, we recommend consulting a qualified builder or electrician. Fixture should be mounted four feet above grade.

After installation extra hardware and accessories are possible; our kits are used on multiple products and options.

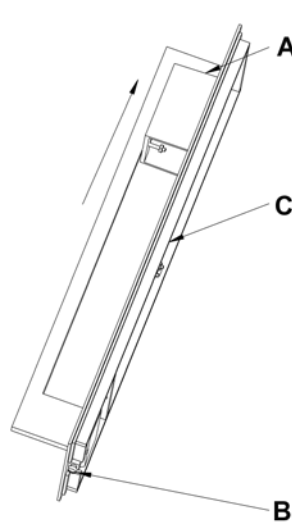
To Install Fixture (Figures 1, 2 & 3)

Component Parts

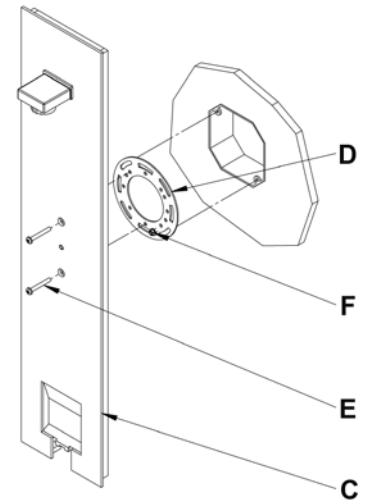
- M Fixture Front
- N Screw
- O Fixture
- P Crossbar
- Q #8 Screw (2)
- R Ground Screw
- S Caulking Lip

Caution: Be sure power is off at the main breaker box prior to installation.

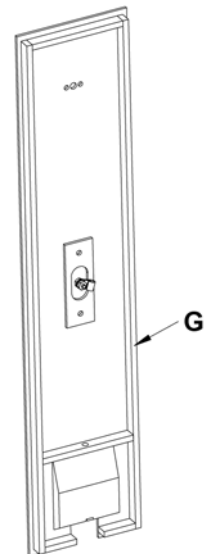
1. Carefully unpack the fixture from the carton.
2. Loosen the screw (B) in the bottom of the fixture (C) until the fixture front (A) will come loose from the fixture back. Move the fixture front (A) towards the top of the fixture (C) to remove (Figure 1).
3. Using two machine screws (not provided) attach crossbar (D) to the electric box using inside oval holes to orient fixture.
Note: A new electric box comes with screws. When replacing a fixture, retain the screws for use with the new fixture.
4. Using suitable wire connectors (not provided), connect the fixture wires to the supply wires, (white to white, black to white). *Note: Polarity separation is not required for the socket used in this fixture.* Run a pigtail lead from crossbar ground screw (F) to the junction box and connect all ground wires (bare copper or green to bare copper or green).
Caution: Make sure wire connectors are twisted on securely and no bare wires are exposed.
5. Apply a generous bead of a suitable caulking material to caulking lip (G) on the fixture.
6. Carefully tuck all wires behind the fixture, place fixture firmly against the wall and fasten with two #8 screws (E). To ensure a water tight seal, apply a thin bead of caulking around entire perimeter of the fixture.
7. Continue with installation instructions following to assemble fixture front and glass.



(Figure 1)



(Figure 2)



(Figure 3)

(continued)

Installation Instructions

Axis Outdoor Sconce 30-6405

B220

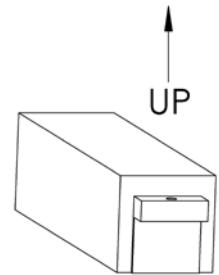
Page 2 of 3

To Assemble Fixture Front and Glass (Figures 4 thru 7)

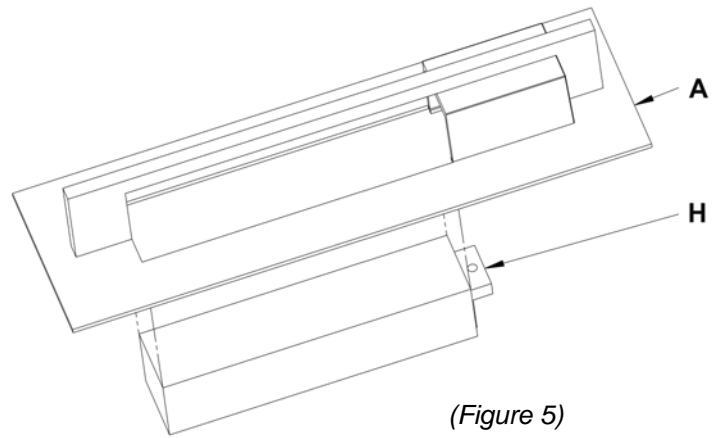
Component Parts

- A Fixture Front
- T Glass
- U Hex Nut
- V Threaded Stud
- W Glass Bracket
- X Spring

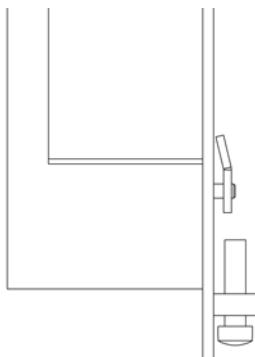
1. Place glass (H) on flat clean surface oriented as shown in Figure 4.
2. Place fixture front (A) over glass (H) (Figure 5).
3. Holding fixture front (A) and glass (H) securely rotate them both over so fixture front (A) rests on flat surface.
4. Remove hex nut (I) from threaded stud (J).
5. Install spring (X) at the top of the glass (T). Push spring inside of fixture until it rests against the top ledge of glass (T).
6. Slip glass bracket (K) on to threaded stud (J). See Figure 7 for orientation.
7. Thread hex nut (I) onto threaded stud (J). Be careful not to over tighten.
8. Continue with installation instructions following to install glass.



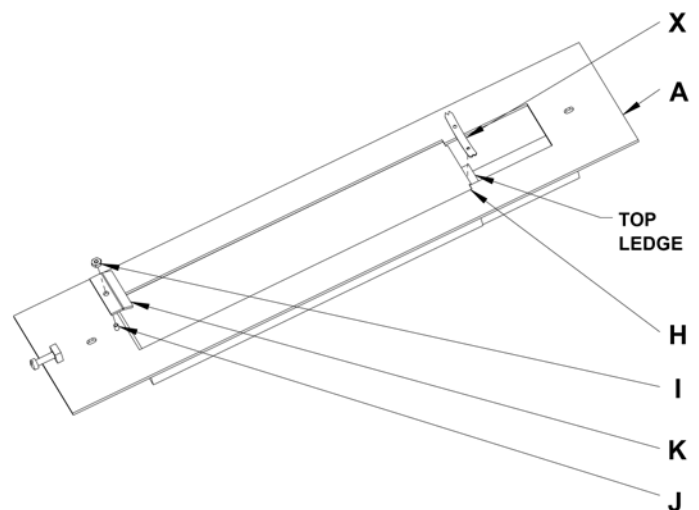
(Figure 4)



(Figure 5)



(Figure 7)



(Figure 6)

(continued)

Installation Instructions

Axis Outdoor Sconce 30-6405

B220

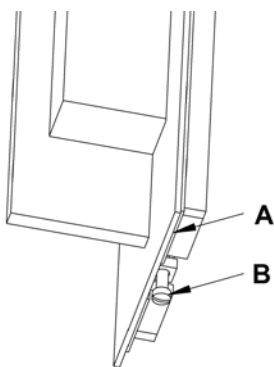
Page 3 of 3

To Install Fixture Front (Figures 8 & 9)

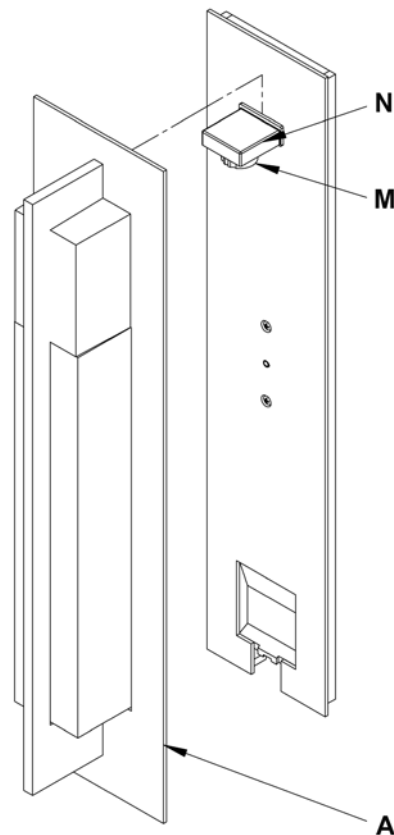
Component Parts

- A Fixture Front
- B Screw
- M Socket
- N Socket Housing

9. Install light bulb into socket (M). (*Bulb not included*)
10. Slip fixture front (A) onto socket housing (N).
11. Tighten screw (B) to lock fixture front (A) in place. *Be careful not to over tighten. See Figure 9*
12. Restore electricity at the main breaker.



(Figure 9)



(Figure 8)

If you need further assistance, or find that you are missing any parts, please contact the dealer from which you purchased this product. We hope you enjoy your fixture!

* Hubbardton Forge will not be liable for injury or damage caused by improper installation, lamping or use of this fixture.