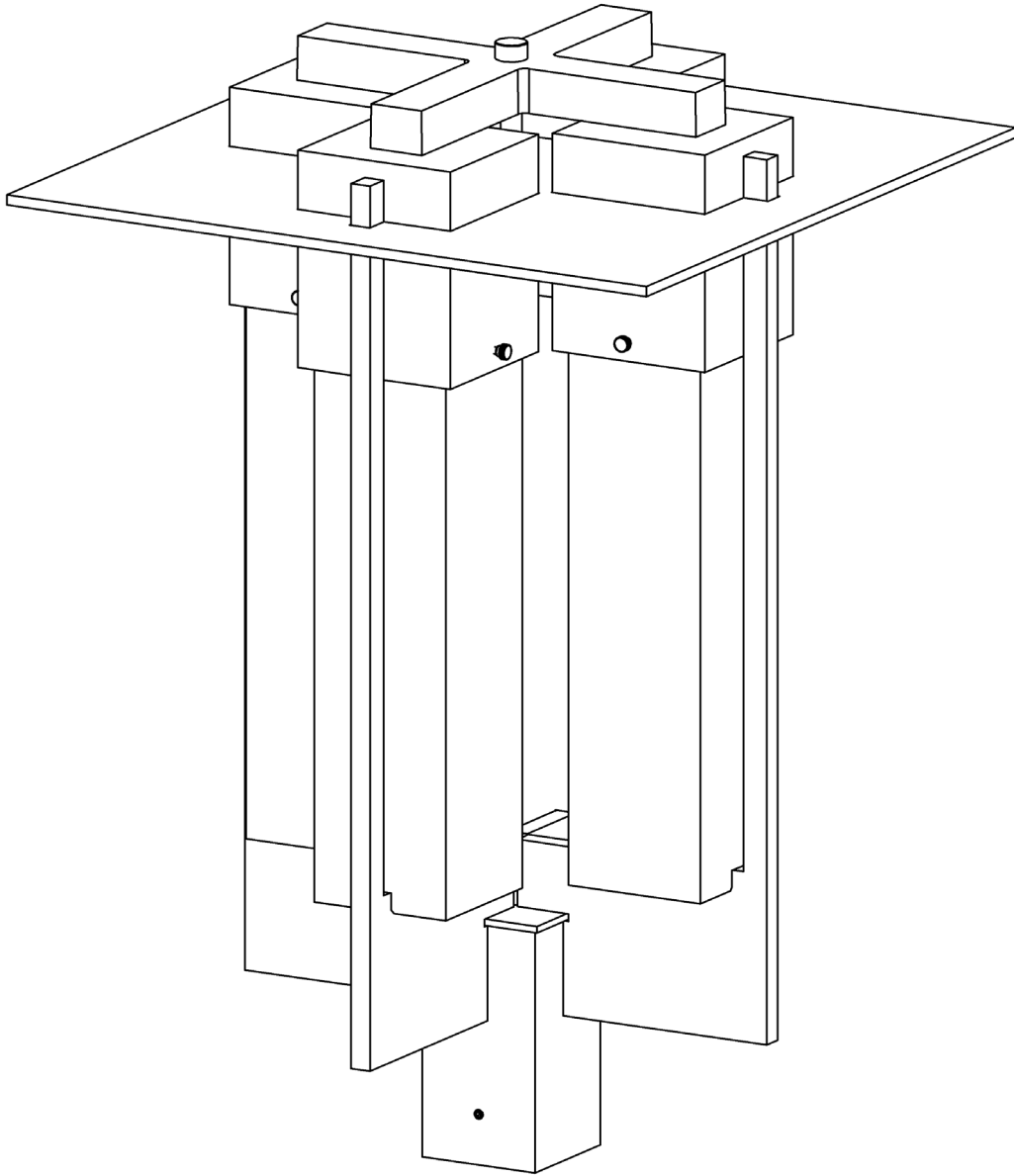


# ASSEMBLY & INSTALLATION INSTRUCTIONS

G22

Axis Post Light 346410

---



**Component Parts**

- A J Bolt**
- B Post**
- C Flat Washer (4)**
- D Split Washer (4)**
- E Hex Nut (4)**
- F Cover Cap (optional)**
- G Set Screw (2)**
- H Fixture**
- I Glass (4)**
- J Thumb Screws (8)**
- K Rubber Pad (4)**



# ASSEMBLY & INSTALLATION INSTRUCTIONS

G22

Axis Post Light 346410

**CAUTION: FAILURE TO INSTALL THIS FIXTURE PROPERLY MAY RESULT IN SERIOUS PERSONAL INJURY OR DEATH AND PROPERTY DAMAGE.** We recommend installation by a licensed electrician. This product must be installed in accordance with applicable installation code(s), by a person familiar with the construction and operation of the product and the hazards involved.\*

**Caution:** Do not exceed maximum wattage noted on fixture. Use only recommended bulbs with fixture.

Please Note: After installation extra hardware and accessories are possible; our kits are used on multiple products.

## To Install (Figure 1)

**CAUTION: BE SURE POWER IS OFF AT THE MAIN BREAKER BOX PRIOR TO INSTALLATION.**

**NOTE: Fixture, Post and Cover Cap each sold separately.**

### SITE PREPERATION:

1. Run appropriate wiring to the site of the fixture, leaving enough excess wire to reach the top of the post, plus 12 inches.
2. Pour flat and level concrete base with wiring emerging at the center. Insert J bolts (A) so approximately 1" of the bolts are exposed above the concrete. Position J bolts according to the template on the last page of these instructions. Allow concrete to cure before installing fixture.

### INSTALLATION:

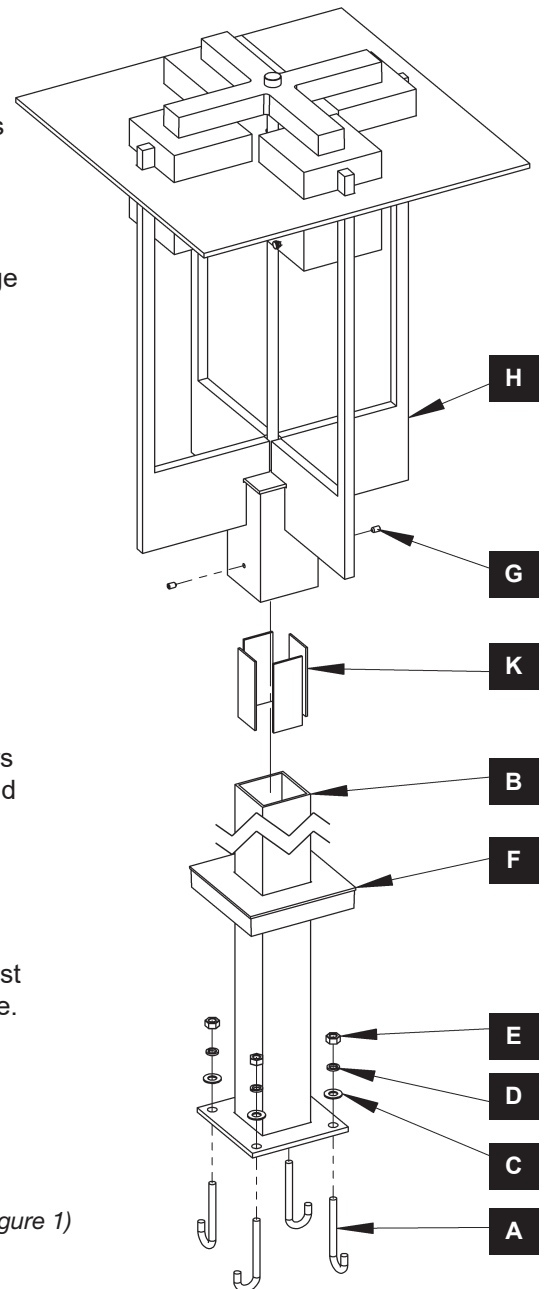
**NOTE: Post may be cut to desired height before installation.**

3. Position post (B) over J bolts (A), feeding supply wire up though the post and secure using flat washers (C), split washers (D) and hex nuts (E).
4. Place optional cover cap (sold separately) (F) over post (B) to conceal mounting hardware.
5. Attach the four rubber pads (K) to the inside of fixture (H).
6. Connect fixture wires to supply wires using appropriate wire connectors (not provided), black to black (or smooth), white to white (or ribbed) and bare copper or green to bare copper or green.

**CAUTION: MAKE SURE WIRE CONNECTORS ARE TWISTED ON SECURELY AND NO BARE WIRE IS EXPOSED.**

7. Place fixture (H) onto post (B), carefully tucking all wiring down into post and making sure no wires are pinched between the post and the fixture. Secure with set screw (G) on each side.
8. Follow steps on next page to install glass.

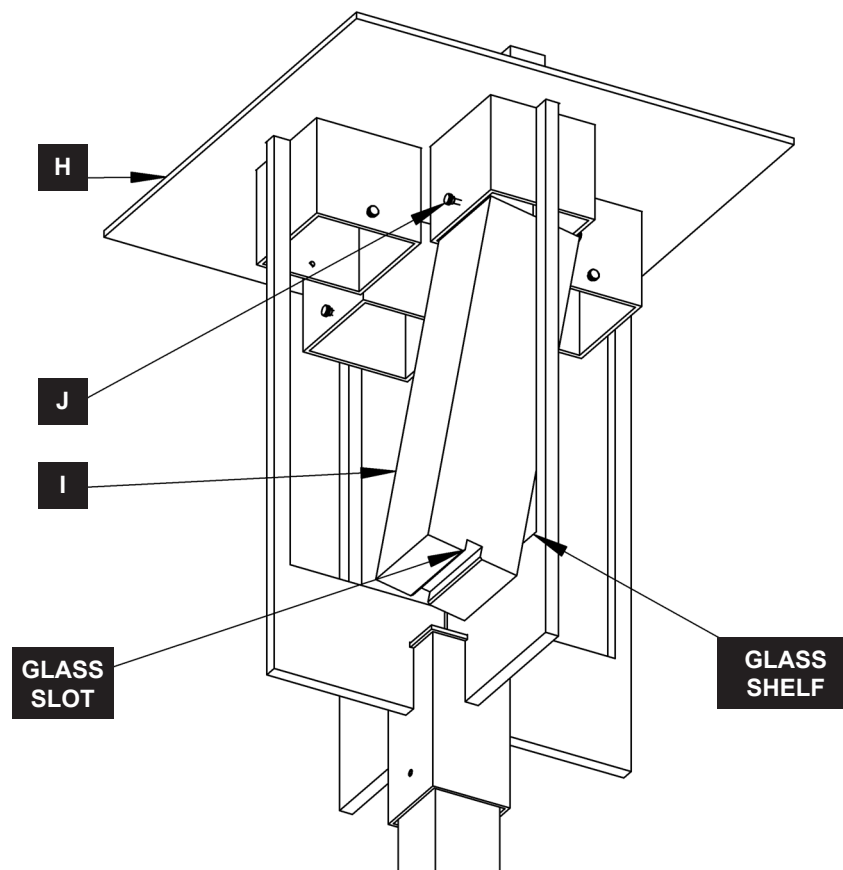
(Figure 1)



Axis Post Light 346410

**To Install Glass** (Figure 2)

1. Unpack glass (I).
2. Install bulbs (not included) into sockets.
3. Unthread thumb screws (J) to allow glass (I) to pass by in next step. Thumb screws (J) will not need to be completely removed.
4. Tilt glass (I), slip through fixture (H) and raise up towards bulb.  
**Note:** Design preference is that the frosted surface be facing towards the inside of the fixture.
5. Align glass slot with with glass shelf on fixture (H) and lower glass (I) down until it rests on shelf.
6. Tighten thumb screws (J) evenly into glass (I) to secure it in fixture.  
**Note:** Be sure not to overtighten screws as this could break glass.
7. Repeat for remaining glass (I)
8. Restore electricity at main breaker.



(Figure 2)

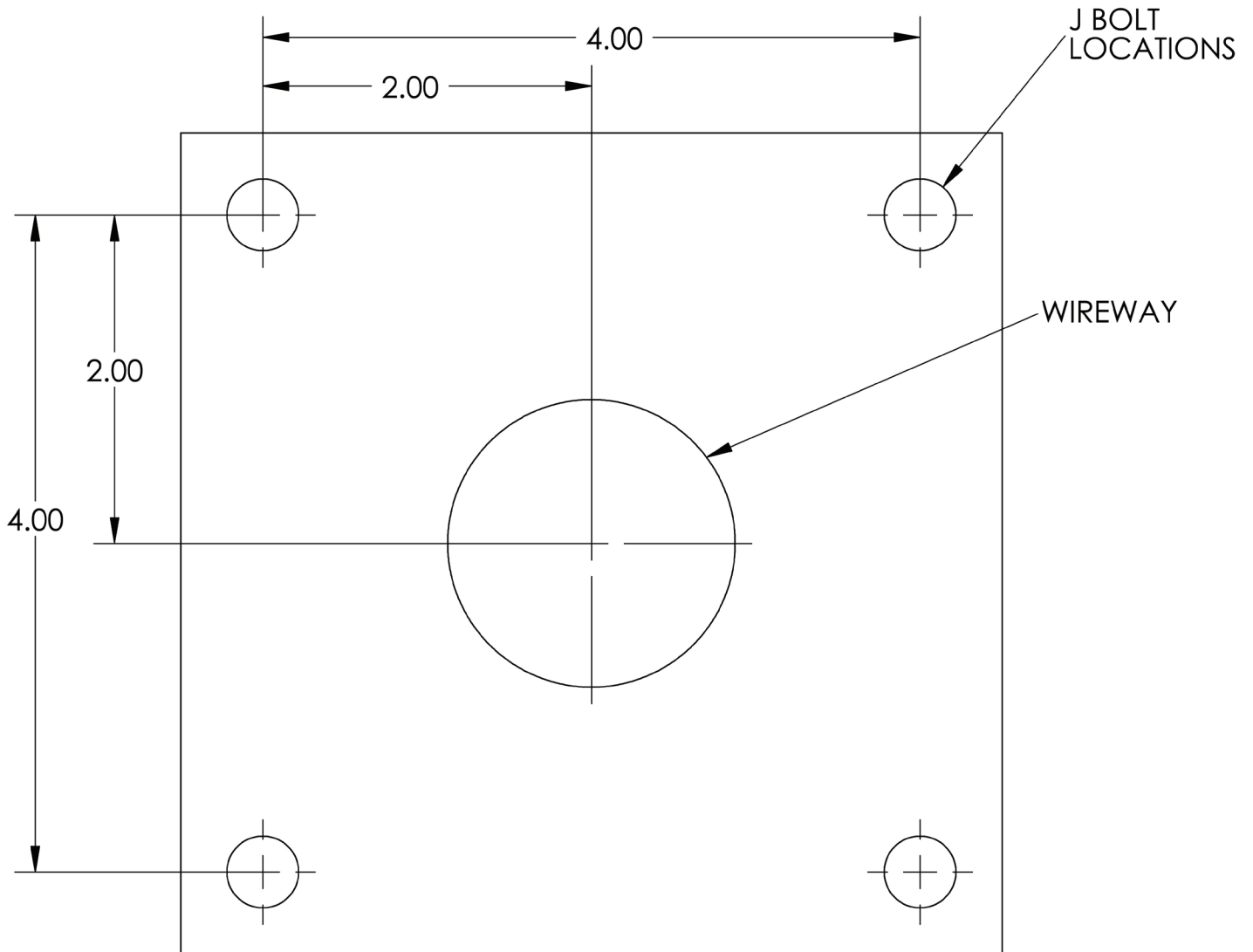


# ASSEMBLY & INSTALLATION INSTRUCTIONS

G22

Axis Post Light 346410

USE THIS TEMPLATE TO POSITION J BOLTS AND WIREWAY IN CONCRETE SLAB PRIOR TO INSTALLING OUTDOOR POST MOUNTED LIGHTING FIXTURE.



If you need further assistance, or find that you are missing any parts, please contact the dealer from which you purchased this product. We hope you enjoy your fixture!

**\* Hubbardton Forge will not be liable for injury or damage caused by improper installation, lamping or use of this fixture.**