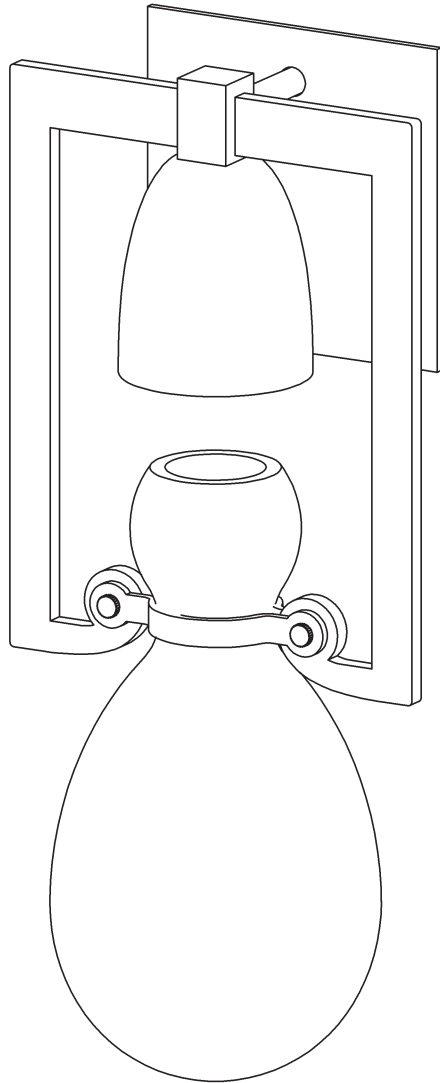


ASSEMBLY & INSTALLATION INSTRUCTIONS

Apothecary Sconce 203300

B384



HUBBARDTON FORGE.

MODERN AMERICAN BLACKSMITHS | FINE, HAND CRAFTED LIGHTING
CASTLETON, VERMONT USA | HUBBARDTONFORGE.COM

Component Parts

- A Fixture**
- B Mounting Bracket**
- C Ground Screw**
- D Cupped Washer**
- E #8 Screw (4)**
- F Bracket (2)**
- G Thumb Screw (4)**
- H Glass**



ASSEMBLY & INSTALLATION INSTRUCTIONS

B384

Apothecary Sconce 203300

CAUTION: FAILURE TO INSTALL THIS FIXTURE PROPERLY MAY RESULT IN SERIOUS PERSONAL INJURY OR DEATH AND PROPERTY DAMAGE. We recommend installation by a licensed electrician. This product must be installed in accordance with applicable installation code(s), by a person familiar with the construction and operation of the product and the hazards involved.*

Caution: Do not exceed maximum wattage noted on fixture. Use only recommended bulbs with fixture.

Please Note: After installation extra hardware and accessories are possible; our kits are used on multiple products.

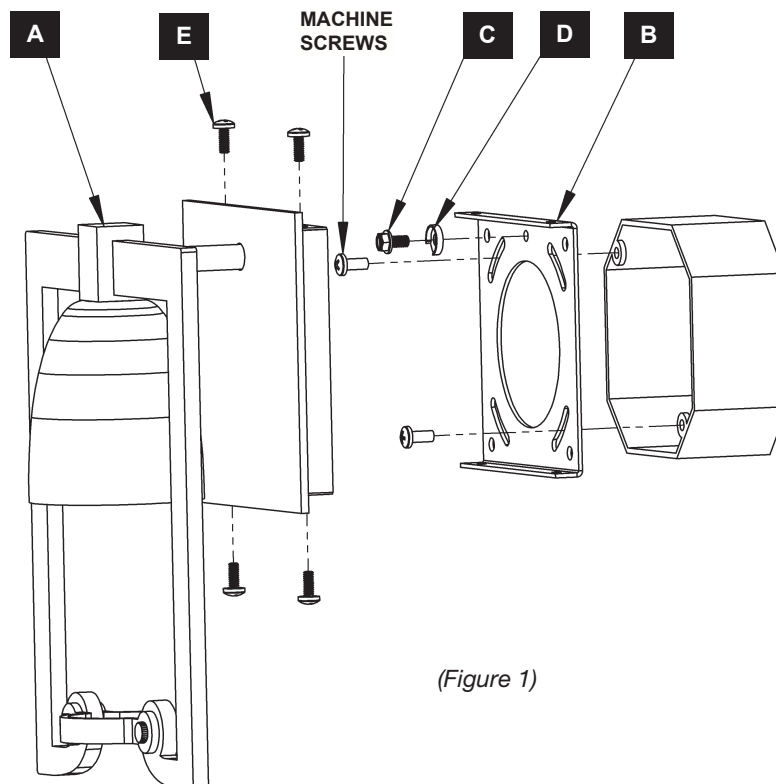
To Attach to Wall (Figure 1)

CAUTION: BE SURE POWER IS OFF AT THE MAIN BREAKER BOX PRIOR TO INSTALLATION.

1. Carefully unpack the fixture (A) from the carton.
2. Using two machine screws (not provided) attach mounting bracket (B) to the electrical box.
Note: A new electric box comes with screws. When replacing a fixture, retain the existing screws for use with the new fixture.
3. Using the green ground screw (C) and the cupped washer (D) found in the kit bag secure a pigtail lead to the mounting bracket (B). Hold the fixture (A) close to the mounting bracket (B) and using suitable wire connectors (not provided), connect fixture wires to supply wire (white to white and black to black). Connect all ground wires (bare copper or green to bare copper or green).

CAUTION: MAKE SURE WIRE CONNECTORS ARE TWISTED ON SECURELY, AND NO BARE WIRES ARE EXPOSED.

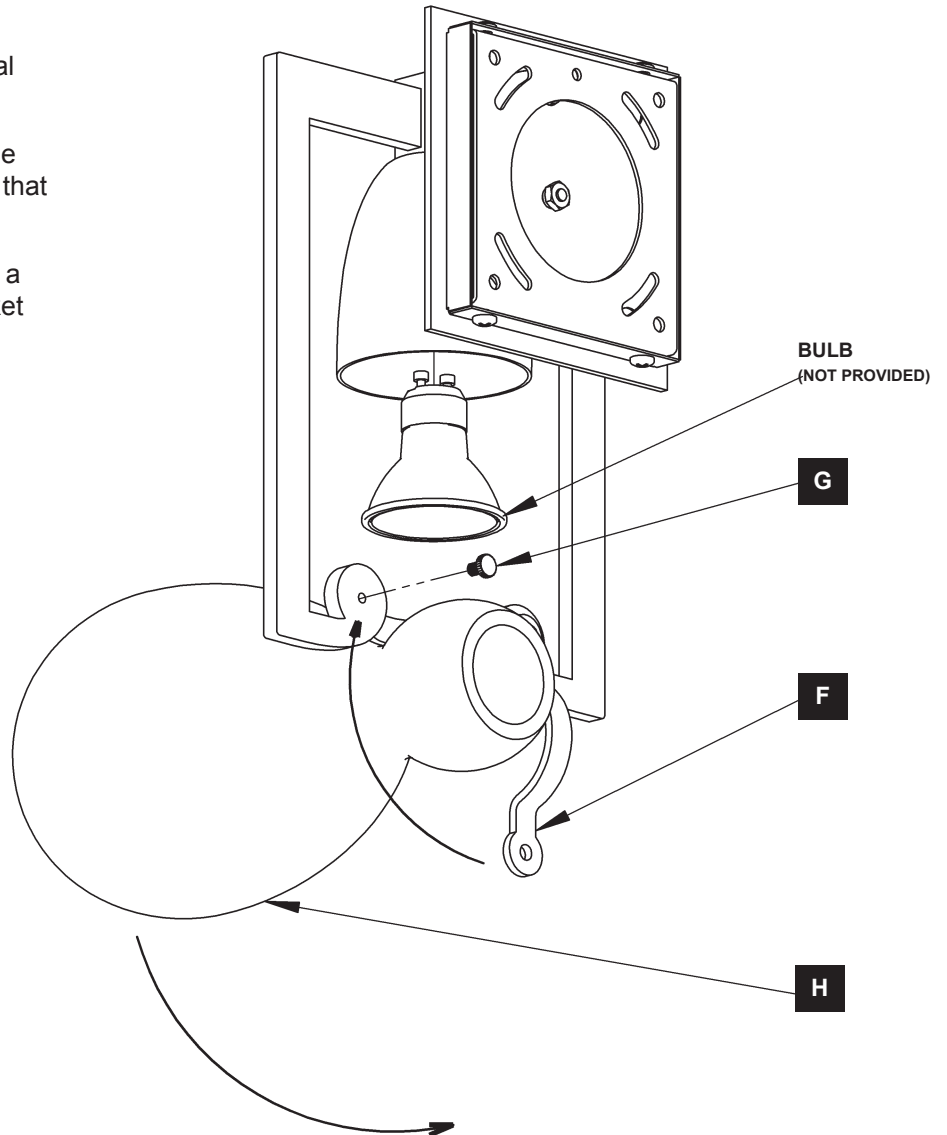
4. Carefully tuck all wires behind fixture (A) and inside the mounting bracket (B). Place fixture (A) firmly onto bracket (B) and fasten with two #8 screws (E) on top.
5. Install the two remaining #8 screws (E) in bottom of fixture (A).



Apothecary Sconce 203300

To Install Glass (Figure 2)

1. Install bulb (not included)
2. Remove one thumb screw (G) from one of the brackets (F).
3. Allow the bracket (F) to swing to a vertical position. See Figure 2.
4. Holding the glass (H) horizontal, place the neck of the glass against the bracket (F) that is completely installed.
5. In one movement, rotate the glass (H) to a vertical position while swinging the bracket (F) back into a horizontal position.
6. Re-install the thumb screw (G) into the bracket (F).
7. Restore electricity at main breaker.



(Figure 2)

If you need further assistance, or find that you are missing any parts, please contact the dealer from which you purchased this product. We hope you enjoy your fixture!

*** Hubbardton Forge will not be liable for injury or damage caused by improper installation, lamping or use of this fixture.**



HUBBARDTON FORGE.

MODERN AMERICAN BLACKSMITHS | FINE, HAND CRAFTED LIGHTING
CASTLETON, VERMONT USA | HUBBARDTONFORGE.COM