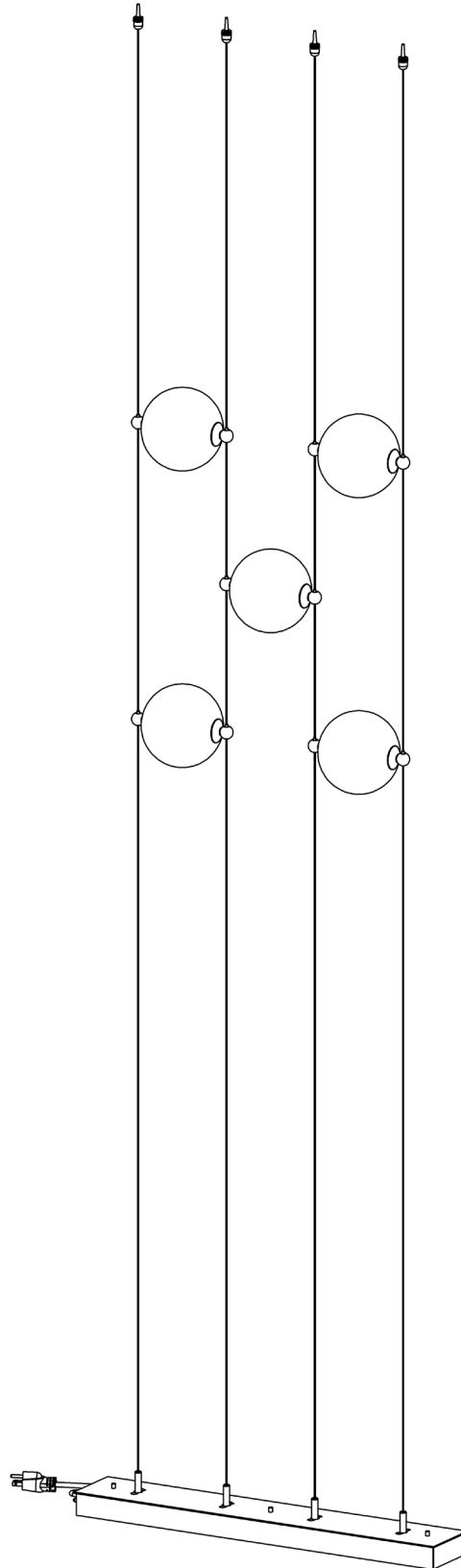


ASSEMBLY & INSTALLATION INSTRUCTIONS

C93

Abacus Plug In - 4 Cable 5 Light



HUBBARDTON FORGE.

MODERN AMERICAN BLACKSMITHS | FINE, HAND CRAFTED LIGHTING
CASTLETON, VERMONT USA | HUBBARDTONFORGE.COM

Component Parts

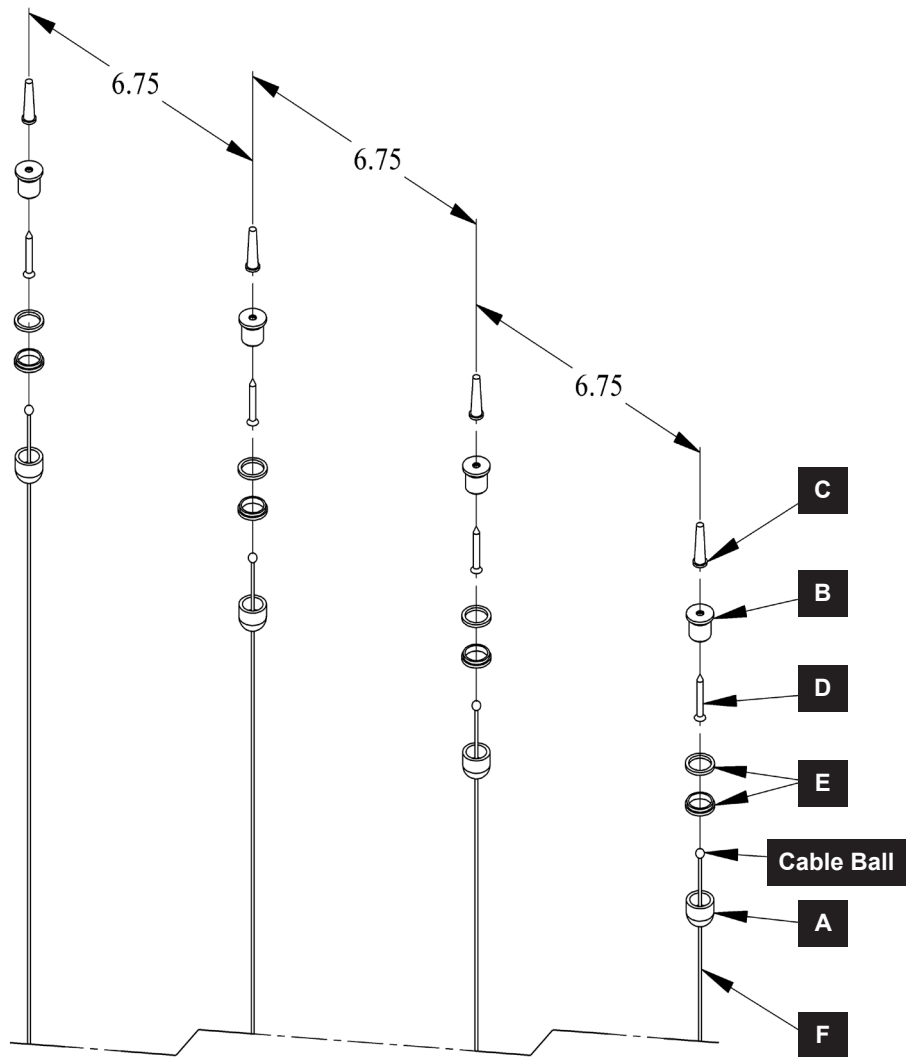
- A. Ceiling Gripper (4)**
- B. Threaded Adapter (4)**
- C. Anchor (4)**
- D. Wood Screw (4)**
- E. Plastic Washers (4 sets)**
- F. Cable (4)**
- G. Base Assembly**
- H. Cover Plate**
- I. Knobs (3)**
- J. #10 Screws (4)**
- K. Threaded studs (3)**
- L. Glass Balls (5)**
- M. Ball Gripper (10)**
- N. Cable Gripper (4)**
- O. Gripper Cover (4)**
- P. Tensioner Screw (8)**
- Q. Plug (8)**



CAUTION: FAILURE TO INSTALL THIS FIXTURE PROPERLY MAY RESULT IN SERIOUS PERSONAL INJURY OR DEATH AND PROPERTY DAMAGE. We recommend installation by a licensed electrician. This product must be installed in accordance with applicable installation code(s), by a person familiar with the construction and operation of the product and the hazards involved.*

Install Ceiling Hardware & Cables (Figure 1)

1. Carefully unpack the fixture from carton.
2. Determine desired fixture location. With a pencil, mark the location of the anchor holes on the ceiling using measurements called out in Figure 1. Templates are located on page 6.
3. Drill 1/4" holes in the locations marked on the ceiling. Place the tapered end of the anchors (C) into the holes and gently tap them flush using a light weight hammer.
4. Unassemble ceiling gripper (A), threaded adapter (B), and plastic washer (E). Retain all parts for use in next steps.
5. Using wood screw (D) provided, fasten threaded adapter (B) to ceiling. Be careful not to overtighten and strip anchor (C).
6. Locate cable (F). Slide cable through ceiling gripper (A) in direction shown in Figure 1. Cable ball should sit inside of ceiling gripper (A).
7. Slide plastic washers (E) over threaded adapter (B). Thread ceiling gripper (A) onto threaded adapter (B) and tighten.
8. Repeat for remaining cables (F).
9. Follow steps on the following page for installing base assembly.



(Figure 1)

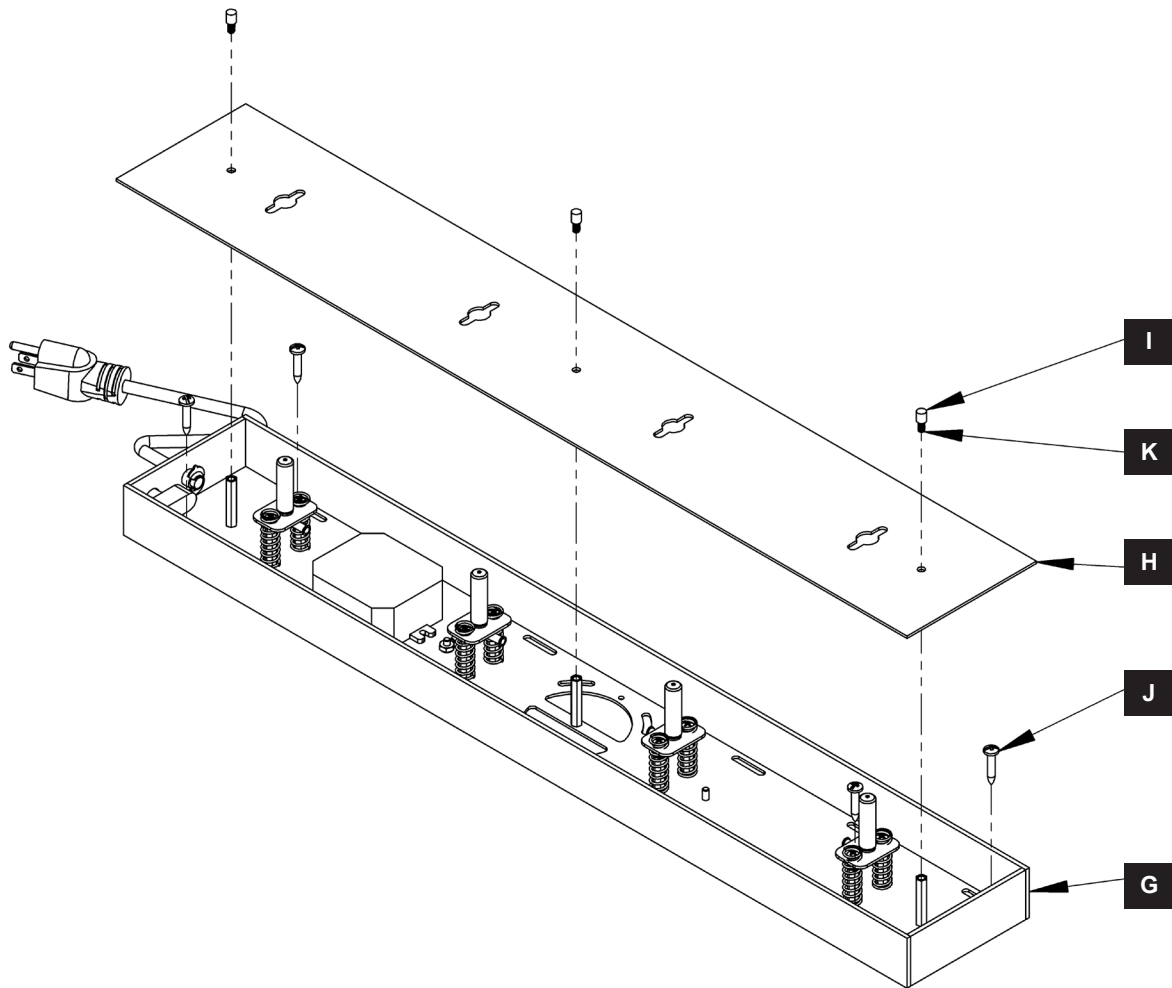
Abacus Plug In - 4 Cable 5 Light

Install Base Assembly (Figure 2)

1. Locate base assembly (G) in packaging.
2. Remove knobs (I) and separate cover plate (H) from assembly (G).
3. Position base assembly (G) under ceiling grippers (A). Be sure base will line up with cables as desired.
4. Using provided #10 screws (J), found in kit bag, fasten base assembly (G) to the floor.

Note: It is recommended that the base be mounted to the floor. We have provided double sided tape as an alternate mounting method if mounting with screws is not a possibility. If dealing with a different mounting situation, please contact a contractor for installation methods for the base.

5. Slide cover plate (H) over threaded studs (K) until it rests on base assembly (G) and secure with knobs (I).
6. Complete steps on following page for installing glass balls.



(Figure 2)

Abacus Plug In - 4 Cable 5 Light

Install Glass Balls *(Figures 3 & 4 - on following page)*

1. Careful unpack glass balls (L).
2. Ball grippers (M) are marked on the bottom with Red for (+). The (-) side remains silver.
3. Cable grippers (N) in the base assembly (G) are marked with (+) and (-) labels. Red ball grippers (M) will always be on a (+) cable.
4. Slide glass balls (L), plunger end first, up appropriate cables (F). Repeat with remaining glass balls (L) and locate in desired orientation.

Note: Be sure Red ball grippers are on a (+) cable..

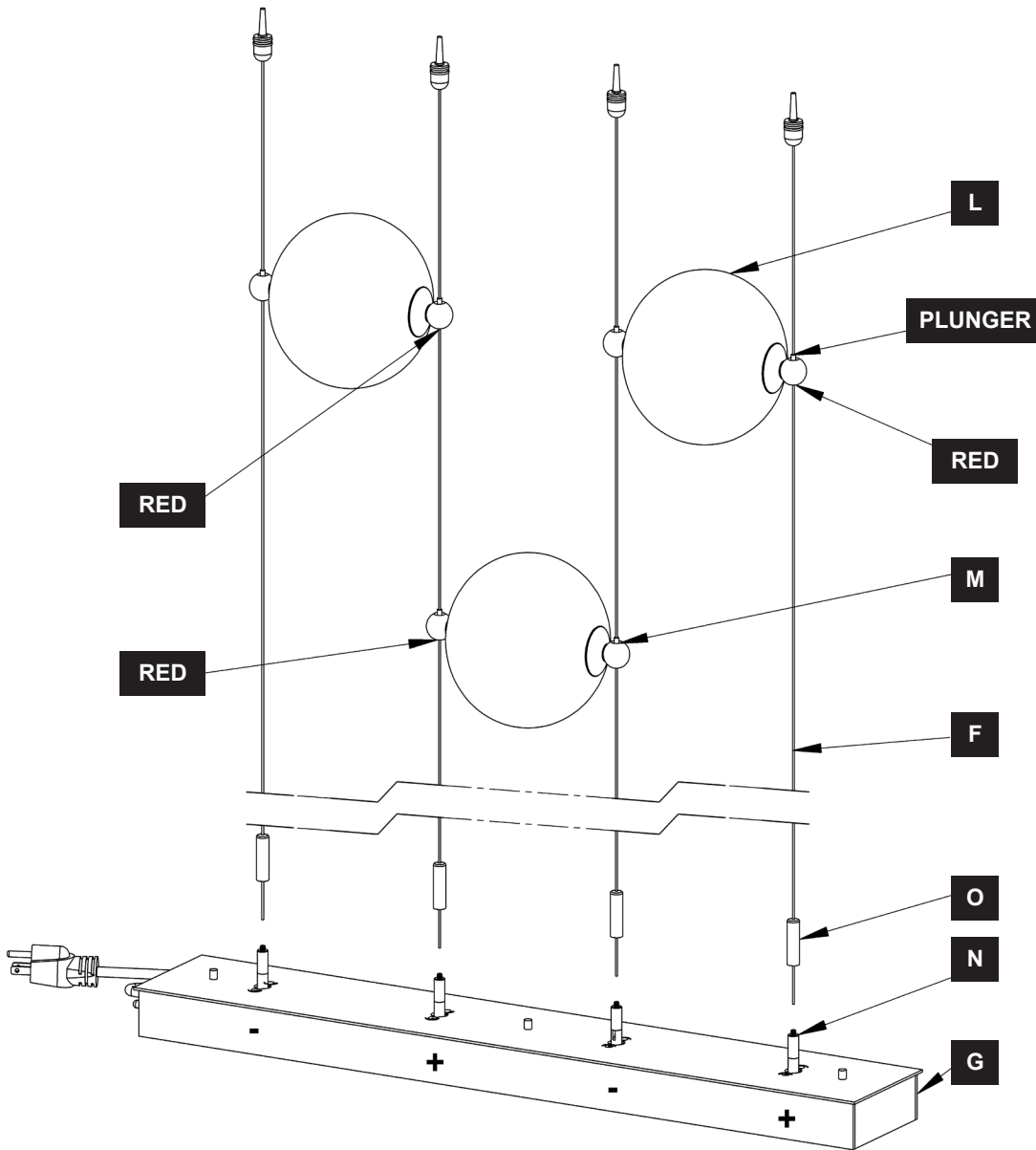
5. If glass ball (L) needs to be lowered, push in on the plunger to release cable, hold in, and move glass ball to desired location.
6. Remove gripper cover (O) and slide up cable (F), small hole first.
7. Slide cable (F) into cable gripper (N) until cable exits side of gripper. Pull cable (F) through until tight.
8. Cut the excess cables (F) as close to the slot in grippers (N) as possible.
9. Thread gripper cover (O) onto gripper (N).
10. Repeat steps 6-9 for remaining cables (F).
11. Refer to Figure 4 for following steps.
12. Next to each cable gripper (N) are two tensioner screws (P). Using phillips head screwdriver (not provided), tighten these screws evenly to create tension on the cable.
13. Install plastic plugs (Q) into slots in cover plate (H) to hide tensioner screws (P). Be sure feet on plastic plugs (Q) are facing sides of slot for better engagement.
14. Plug in power cord.
15. On/Off switch is located on the end of the fixture near power cord.



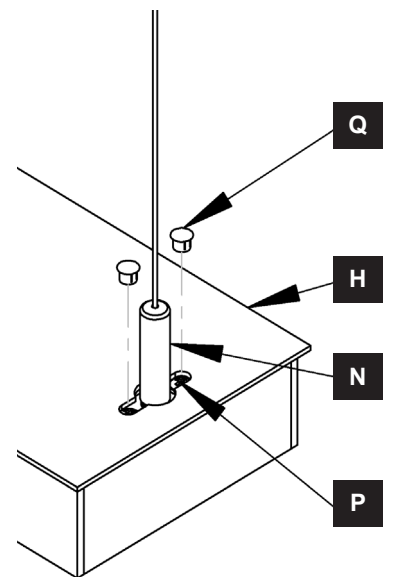
ASSEMBLY & INSTALLATION INSTRUCTIONS

C93

Abacus Plug In - 4 Cable 5 Light

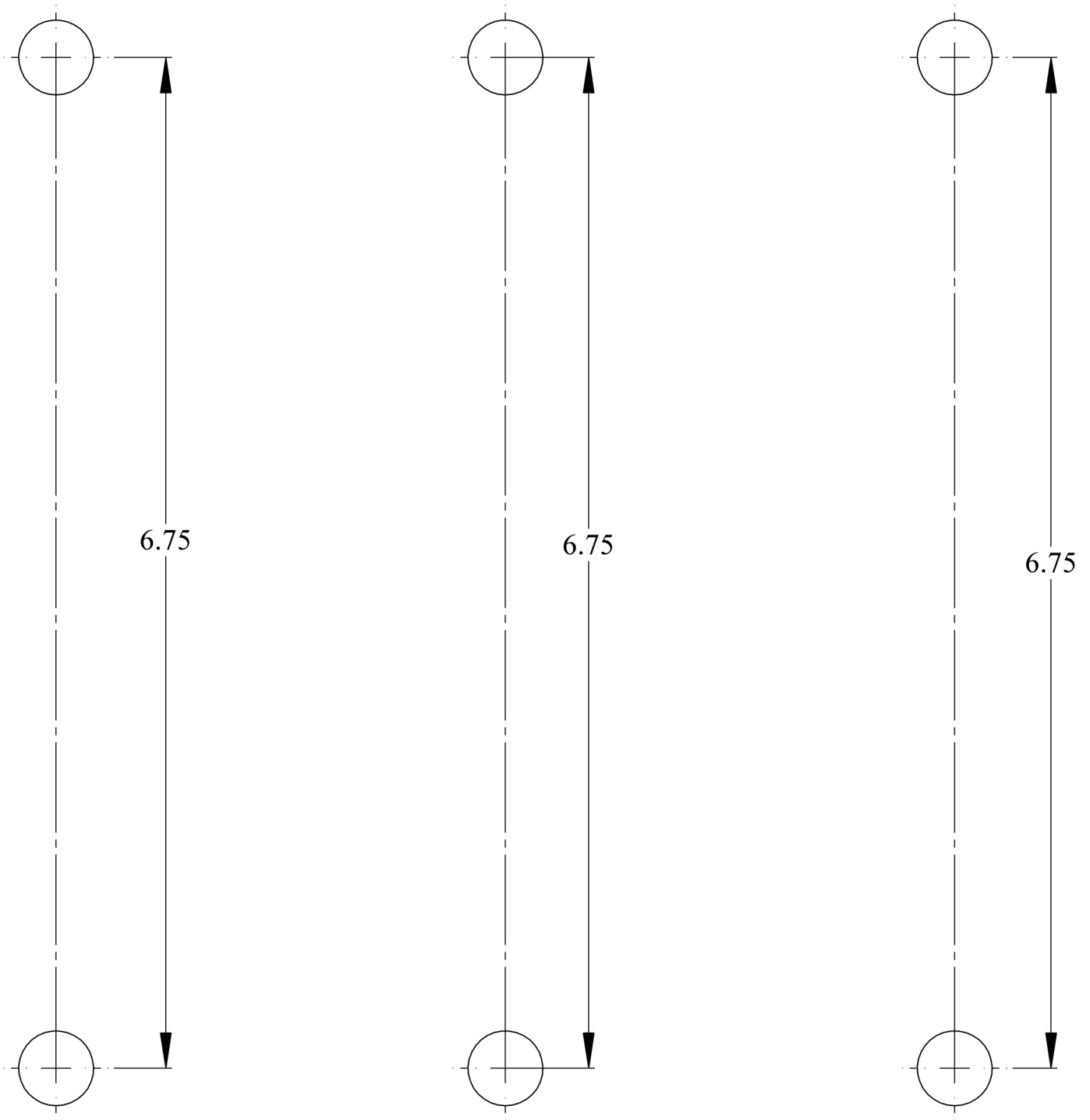


(Figure 3)



(Figure 4)

Templates



If you need further assistance, or find that you are missing any parts, please contact the dealer from which you purchased this product. We hope you enjoy your fixture!

*** Hubbardton Forge will not be liable for injury or damage caused by improper installation, lamping or use of this fixture.**