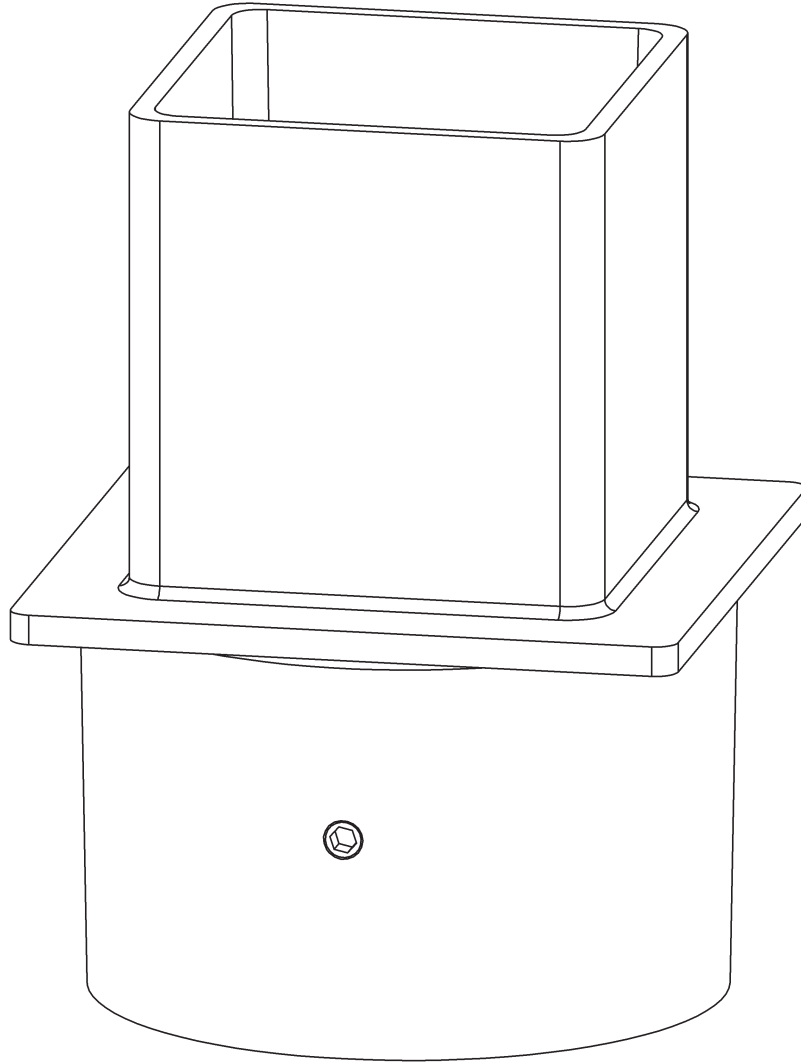


ASSEMBLY & INSTALLATION INSTRUCTIONS

G34

Post Adapter 390240



ASSEMBLY & INSTALLATION INSTRUCTIONS

G34

Post Adapter 390240

CAUTION: FAILURE TO INSTALL THIS POST PROPERLY MAY RESULT IN SERIOUS PERSONAL INJURY OR DEATH AND PROPERTY DAMAGE. We recommend installation by a licensed electrician. This product must be installed in accordance with applicable installation code(s), by a person familiar with the construction and operation of the product and the hazards involved.*

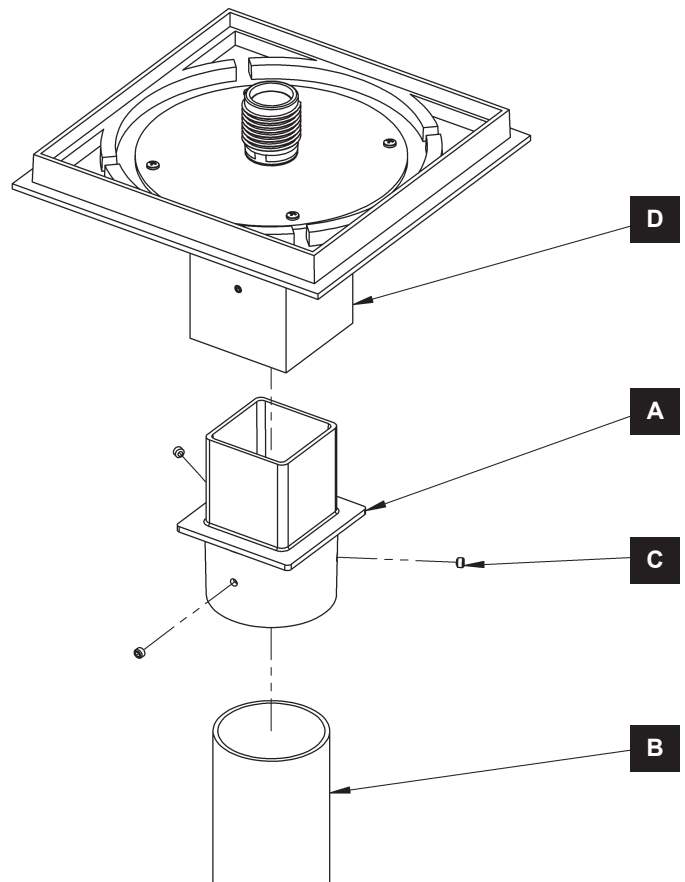
Component Parts

- A Adapter**
- B Post (not included)**
- C Set Screw (3)**
- D Fixture (not Included)**

To Install (Figure 1)

1. Remove adapter (A) from the carton.
2. Place adapter (A) over post (B) (not included) securing evenly with set screw (C).
3. Follow fixture (D) (not included), with 2.5" square base installation instructions to finish install.

Note: Fixture and post shown in Figure 1 are representative and are not included with the post adapter



(Figure 1)

If you need further assistance, or find that you are missing any parts, please contact the dealer from which you purchased this product. We hope you enjoy your fixture!

*** Hubbardton Forge will not be liable for injury or damage caused by improper installation, lamping or use of this fixture.**