

HINKLEY

52" VAIL FLUSH™

INDOOR / OUTDOOR LED FAN



WET



DC MOTOR



LED



CERTIFIED



WIFI



HIRO

CEILING FAN INSTRUCTION MANUAL

WE WANT YOU TO LOVE YOUR NEW FAN

SO WE'RE HERE IF YOU HAVE A QUESTION, NEED SOME HELP OR WANT TO CHAT ABOUT OUR PRODUCTS. SEND SUGGESTIONS OUR WAY TOO—WE'RE ALWAYS LOOKING TO MAKE YOUR EXPERIENCE WITH HINKLEY A POSITIVE ONE.

> SERVICE@HINKLEY.COM

> [800.HINKLEY](tel:800.HINKLEY)

> [LET'S SEE THAT HINKLEY STYLE @HINKLEY](#)
[#HINKLEYSTYLE](#)

This manual contains complete instructions for the installation and operation of this fan. It has been designed to make the installation process as easy as possible. If you are unfamiliar or uncomfortable with wiring, please contact a qualified electrician. If you need additional assistance or have any questions, please reach out to us.

For warranty information, visit hinkley.com.

TABLE OF CONTENTS

02	GENERAL INSTALLATION & OPERATING INSTRUCTIONS	09	INSTALLING THE ADAPTER PLATE
03	IMPORTANT SAFETY PRECAUTIONS	10	INSTALLING THE LED ASSEMBLY AND GLASS SHADE
03	TOOLS & MATERIALS REQUIRED	12	INSTALLING THE WALL CONTROL
04	UNPACKING YOUR FAN	13	OPERATION
05	PREPARATION	15	CARE AND CLEANING
05	INSTALLING THE HANGING BRACKET	15	TROUBLESHOOTING
06	HANGING THE FAN	16	ENERGY GUIDE
07	ELECTRICAL CONNECTIONS	16	SPECIFICATIONS
08	FINISHING THE INSTALLATION	17	SMART BY BOND
09	INSTALLING OF THE BLADES		

WARNING:

Read and follow these instructions carefully and be mindful of all warnings shown throughout.

GENERAL INSTALLATION & OPERATION INSTRUCTIONS

- 1 To ensure the success of the installation, be sure to read the instructions and review the diagrams thoroughly before beginning.
- 2 To avoid possible electric shock, be sure electricity is turned off at the main power box before wiring. All electrical connections must be made in accordance with local codes, ordinances and/or the National Electric Code. If you are unfamiliar with the methods of installing electrical wiring and products, secure the services of a qualified and licensed electrician as well as someone who can check the strength of the supportive ceiling members and make the proper installation(s) and connections.
- 3 **WARNING:** To reduce the risk of fire, electric shock, or other personal injury, mount fan only on an outlet box or supporting system marked acceptable for fan support of 35 lbs (15.9 kg) or less and use mounting screws provided with the outlet box. Most outlet boxes commonly used for the support of lighting fixtures are not acceptable for fan support and may need to be replaced. Consult a qualified electrician if in doubt.
- 4 Make sure that your installation site will not allow rotating fan blades to come in contact with any object. Blades should be at least 7 feet from floor.
- 5 Blades should be attached after motor housing is hung and in place. Fan motor housing should be kept in the carton until ready to be installed to protect its finish. If you are installing more than one ceiling fan, make sure that you do not mix fan blade sets, as each blade is part of a weighted set.
- 6 After making electrical connections, spliced conductors should be turned upward and pushed carefully up into outlet box. The wires should be spread apart with the common conductor and the grounding conductor on one side of the outlet box, and the "HOT" wires on the other side.
- 7 Electrical diagrams are for reference only. Light kits that are not packed with the fan must be UL listed and should be installed per the light kit's installation instructions.
- 8 After fan is completely installed, check to make sure that all connections are secure to prevent fan from falling and / or causing damage or injury.
- 9 The fan can be made to work immediately after installation - the bearings are adequately charged with grease so that, under normal conditions, further lubrication should not be necessary for the life of the fan.
- 10 To operate the reverse function on this fan, press the reverse button while the fan is running.
- 11 **CAUTION:** Do not ingest battery - Chemical burn hazard. Keep new and used batteries away from children.
- 12 The remote control supplied with a coin/button cell battery. If the coin/button cell battery is swallowed, it can cause severe internal burns in just 2 hours and can lead to death.
- 13 If the battery compartment does not close securely, stop using the product and keep it away from children.
- 14 If you think batteries might have been swallowed or placed inside any part of the body, seek immediate medical attention.

IMPORTANT SAFETY PRECAUTIONS

WARNINGS:

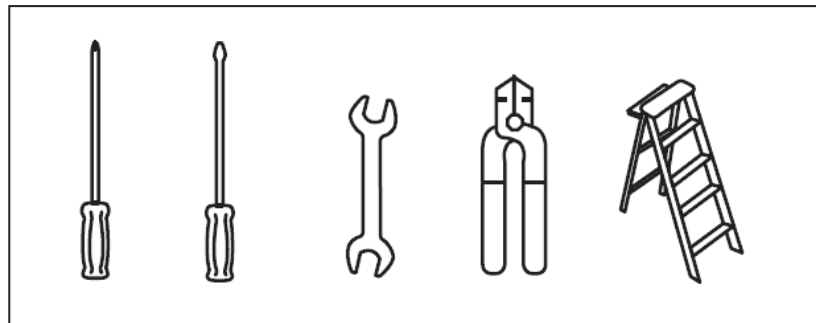
- Disconnect power by removing fuse or turning off circuit breaker before installing the fan and/or optional lighting.
- Support directly from building structure.
- To reduce the risk of fire, electric shock or personal injury, mount to outlet box marked "acceptable for fan support" and use mounting screws provided with the outlet box. Most outlet boxes commonly used for the support of lighting fixtures are not acceptable for fan support and may need to be replaced. Consult a qualified electrician if in doubt.
- Do not use an incandescent light dimmer. Do not use this fan with any transformer type fan speed control device.
- To reduce the risk of personal injury, do not bend the blade arms when installing them, balancing the blades or cleaning the fan. Do not insert any object(s) between rotating fan blades.

NOTE:

The important precautions, safeguards and instructions appearing in this manual are not meant to cover all possible conditions and situations that may occur. It must be understood that common sense, caution and carefulness are factors which cannot be built into this product. These factors must be supplied by the person(s) installing, caring for and operating the unit.

TOOLS & MATERIALS REQUIRED

- PHILLIPS SCREWDRIVER
- FLAT SCREWDRIVER
- WRENCH OR PLIERS
- WIRE CUTTER
- STEPLADDER
- WIRING SUPPLIES AS REQUIRED BY ELECTRICAL CODE



UNPACKING YOUR FAN

UNPACK YOUR FAN AND CHECK THE CONTENTS.

- Do not discard the carton. If warranty replacement or repair is ever necessary, the fan should be returned in original packing. Remove all parts and hardware. Do not lay motor housing on its side, or the decorative housing may shift, be bent or damaged.
- Examine all parts. You should have the following:

PACKAGE CONTENT		
1	Blade Set of 5	BL902152Fxx
2	Blade Arm Set of 5	BLI902552Fxx
3	Mounting Bracket	x
4	Decorative Ring	RG900852Fxx
5	Fan Housing with Motor *Remove rubber shipping supports around motor, if applicable. Save the screws.	x
6	Adapter Plate	AP902552Fxx
7	16W LED Assembly	E900852LED
8	Glass Shade	GL900852ETCH
9	Receiver (pre-installed)	CNW902552
10	HIRO Wall Control w/2032 Battery, Cradle A, Wall Plate, Face Plate, 2 Mounting Screws, Cradle B (for flat wall use only)	980014FWH-R
11	Hardware Bag	
	Bracket Mounting Hardware (wood screws, screws, lock washers, star washers, flat washers, wire nuts), Blade to Blade Arm Screws w/Lock Washers, Blade to Motor Screws and Rubber Washers, Balance Kit, Safety cable hardware (wood screw, flat washer)	HW902152Fxx
XX=FAN FINISH		

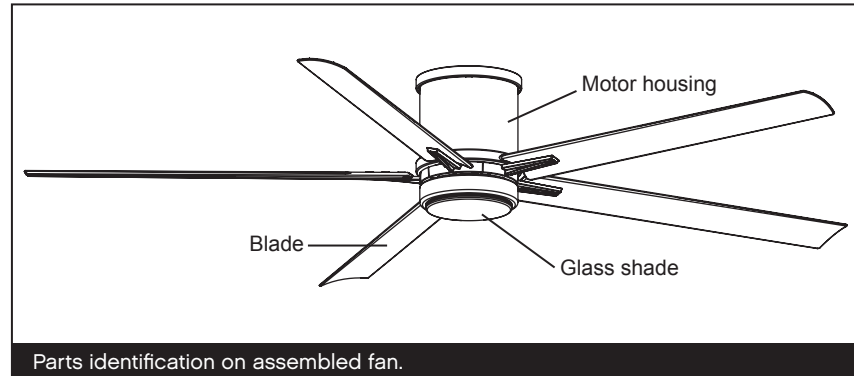
NOTE: Design of parts shown above may look slightly different for your specific model of fan.

PREPARATION

PREPARATION:

Verify you have all parts before beginning the installation. Check foam insert closely for missing parts. Remove motor from packing. To avoid damage to finish, assemble motor on soft padded surface or use the original foam insert in motor box.

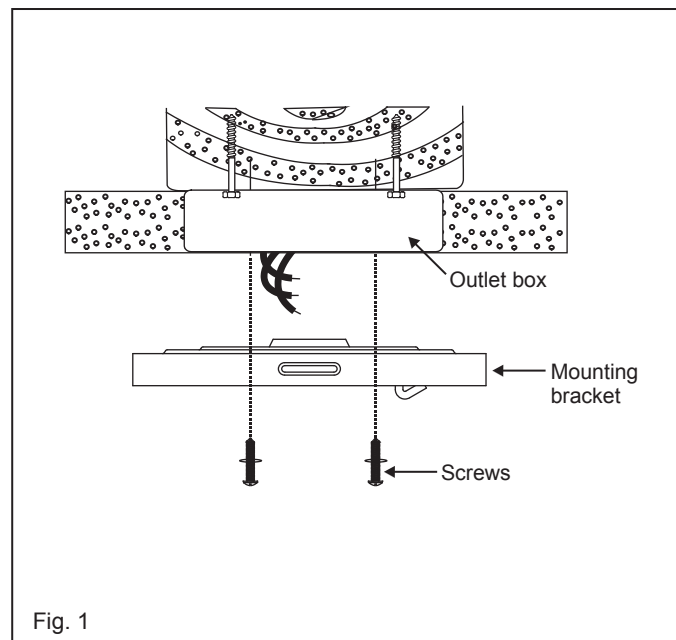
DO NOT LAY MOTOR HOUSING ON ITS SIDE AS THIS COULD RESULT IN SHIFTING OF MOTOR IN DECORATIVE ENCLOSURE.



INSTALLING THE HANGING BRACKET

CAUTION: To avoid possible electrical shock, be sure electricity is turned off at the main power box before wiring. All wiring must be in accordance with National and Local Electrical Codes and the ceiling fan must be grounded as a precaution against possible electric shock.

- 1 Locate ceiling joist where fan is to be mounted, being sure location agrees with the requirements in the minimum clearance section of this guide. Wood joist must be sound and of adequate size to support 35 lbs. (See Page 1, Items 3 and 4).
- 2 If not already present, mount a UL listed outlet box marked "suitable for fan support" following the instructions provided with the outlet box. The outlet box must be able to support a minimum of 35 pounds.
- 3 Attach mounting bracket to outlet box using screws provided with the outlet box.

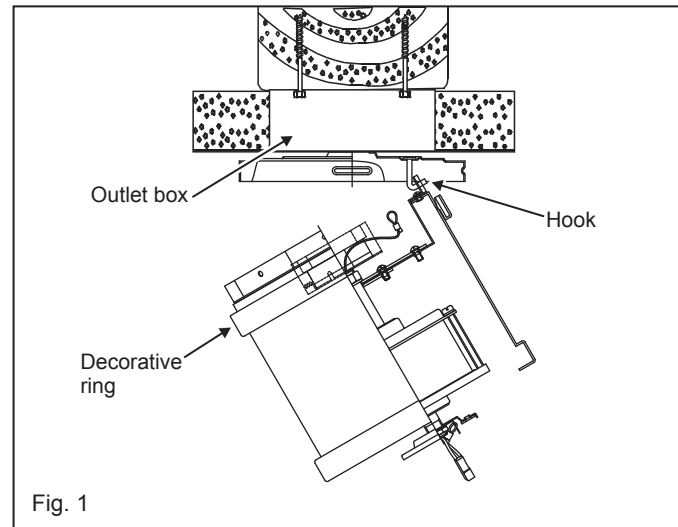


HANGING THE FAN

REMEMBER to turn off the power. Follow the steps below to hang your fan properly.

Place the decorative ring onto the motor housing.

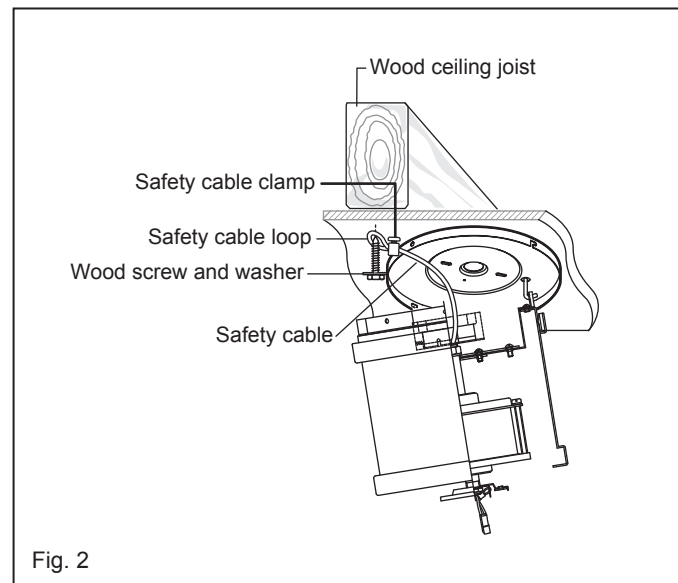
Carefully lift fan motor assembly (without the blades) into position by hanging the motor assembly onto the hook from the ceiling adapter plate allowing it to hang freely. (Fig. 1)



INSTALLATION OF SAFETY CABLE SUPPORT

Attach the wood screw and the flat washer to the ceiling joist as shown (do not fully tighten). Slide the cable clamp onto the safety cable from the fan. Loop the safety cable around the wood screw that was just attached to ceiling joist. Feed the end of the cable into the clamp and pull as much cable through as possible. Firmly tighten screw in the clamp. Cut off excess cable. (Fig. 2)

You are now ready to make the electrical connections.



ELECTRICAL CONNECTIONS

REMEMBER -Turn off the power! **NOTE** - Control must be installed within 30 feet of fan.

WARNINGS: Check to see that all connections are tight, including ground, and that no bare wire is visible at the wire nuts, except for the ground wire.

CAUTION: To reduce the risk of electric shock, this fan must be installed with an isolating wall control/switch.

1. For best performance, make sure the Black Antenna and WIFI Antenna, on the end of the receiver, remains extended and not tangled with any of the electrical wires.
2. Connect the wiring from the ceiling to the receiver unit. (Use the 2 wire bundle on the receiver.) Secure with supplied wire nuts.
 - Connect the BLACK building supply wire to the BLACK receiver wire.
 - Connect the WHITE receiver neutral wire to the WHITE building neutral wire.
 - Connect the COPPER building ground wire to the 4 YELLOW / GREEN ground wires from the fan and receiver.

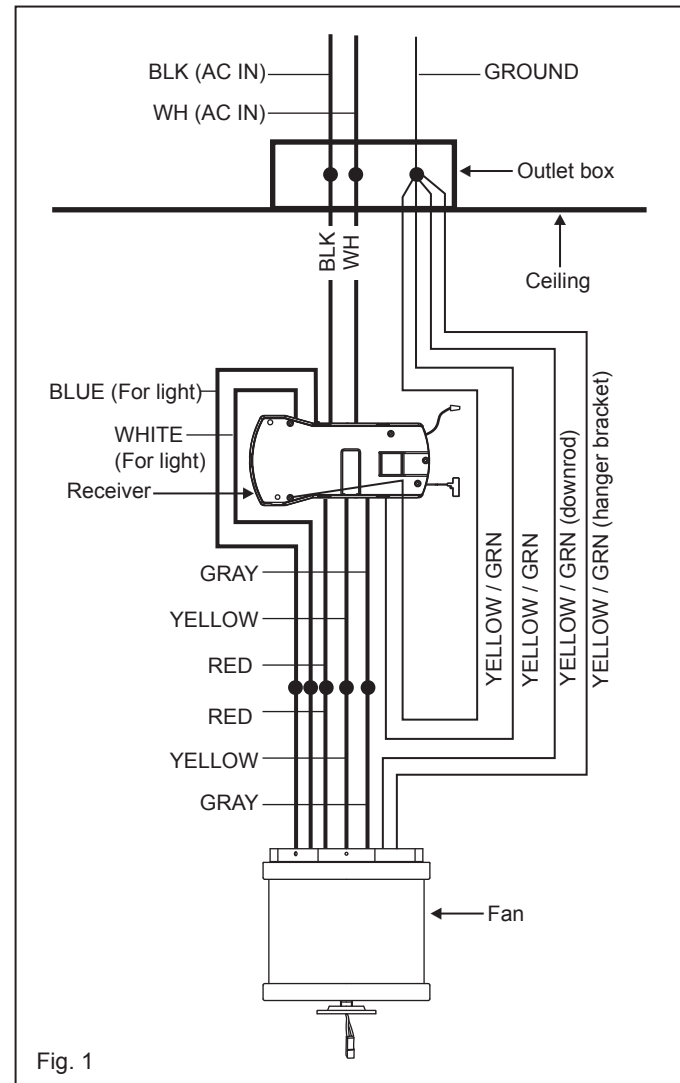
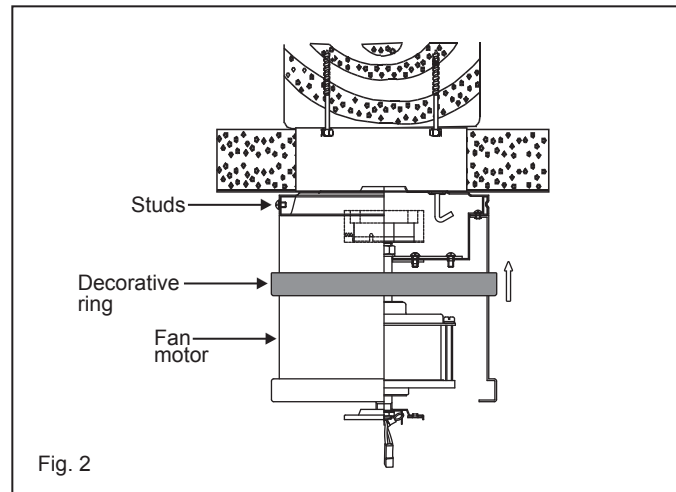
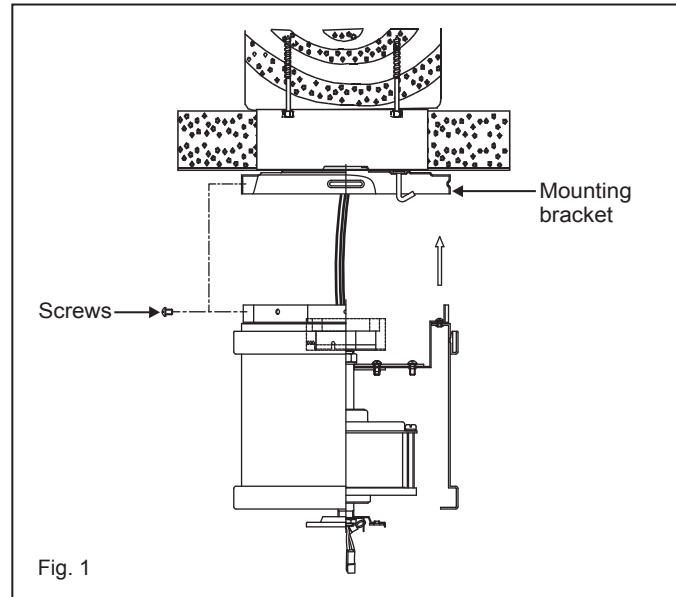


Fig. 1

FINISHING THE INSTALLATION

- 1 Move fan into position over the mounting bracket and secure with the 4 screws provided. (Fig. 1)
- 2 Raise up decorative ring and line up the 4 slots on the fan motor with the 4 tabs on the decorative ring. Once lined up, slide the decorative ring and secure it to the top of the fan motor until snug. (Fig. 2)



INSTALLATION OF THE BLADES

WARNING: To reduce the risk of personal injury, do not bend the blades while installing, balancing the blades, or cleaning the fan.

- 1 Attach the blade to the blade arms using the three blade attachment screws and rubber washers. Insert a blade attachment screws into the blade arm, but do not tighten. Repeat for the two remaining screws.
- 2 Tighten each screw securely starting with the center screw. Make sure the blade is straight. Repeat these steps for the remaining blades.
- 3 Fasten blade to motor with provided blade mounting screws. Repeat procedure for remaining blades. Make sure screws are TIGHT! Loose motor screws can contribute to unnecessary hum during operation.

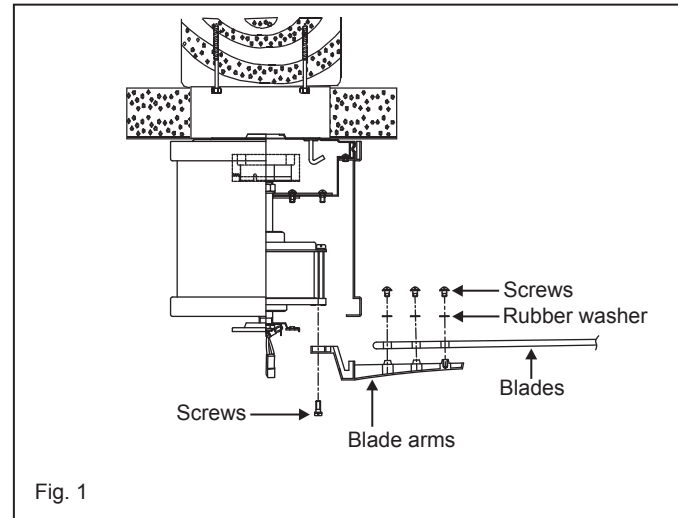


Fig. 1

INSTALLING THE ADAPTER PLATE

- 1 Remove one of the three screws on the mounting hub located on the fan motor.
- 2 Loosen the other two screws.
- 3 Install adapter plate to mounting hub.
- 4 Line up the two slotted holes with the two loose screws on the mounting hub located on fan motor.
- 5 Re-install the third screw removed and tighten all three.

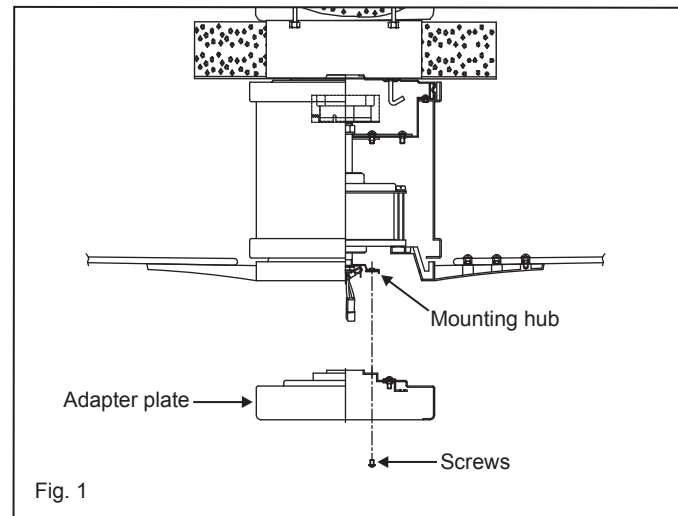


Fig. 1

INSTALLING THE LED ASSEMBLY AND GLASS SHADE

WARNING: Before starting installation, disconnect the power by turning off the circuit breaker or removing the fuse at fuse box. Turning power off using the fan switch is not sufficient to prevent electric shock.

- 1 Remove the 1 of 3 screws from the posts of the LED assembly decorative housing and keep it for future use. Loosen the other 2 screws. (Do not remove)
- 2 While holding the LED assembly under your fan, make the polarize plug connections: (Fig. 2)
 - Red to white
 - Black to black
- 3 Place the key holes on the LED assembly over the 2 screws previously loosened, turn the light plate until it locks in place at the narrow section of the key holes. Secure by tightening the 2 screws previously loosened and the one previously removed. (Fig. 1)
- 4 Raise glass shade up against adapter plate and secure it to the fan by turning the glass shade clockwise until snug. DO NOT OVERTIGHTEN.
- 5 Restore power and your light kit is ready for operation.

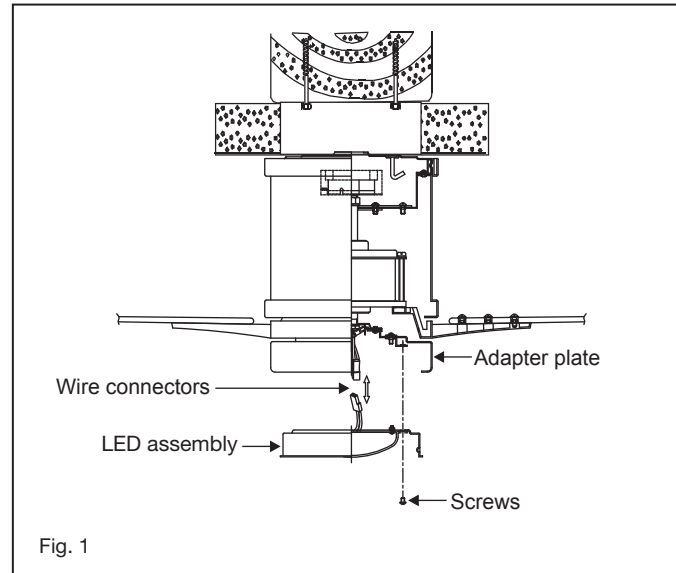


Fig. 1

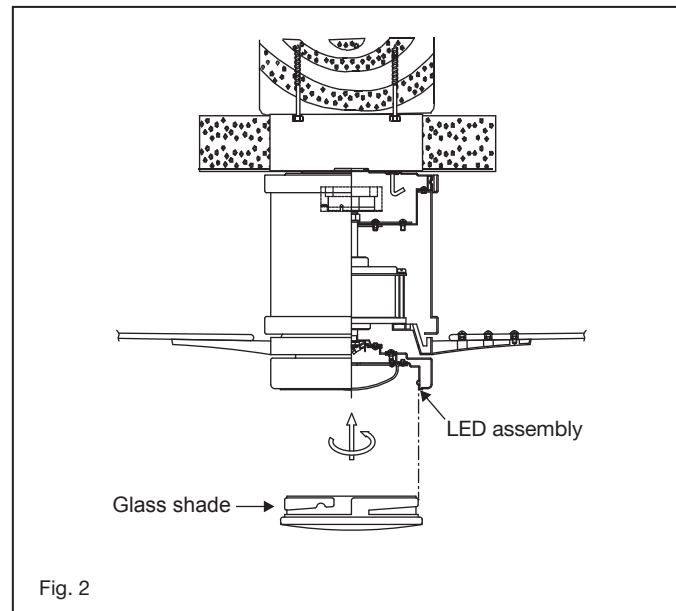


Fig. 2

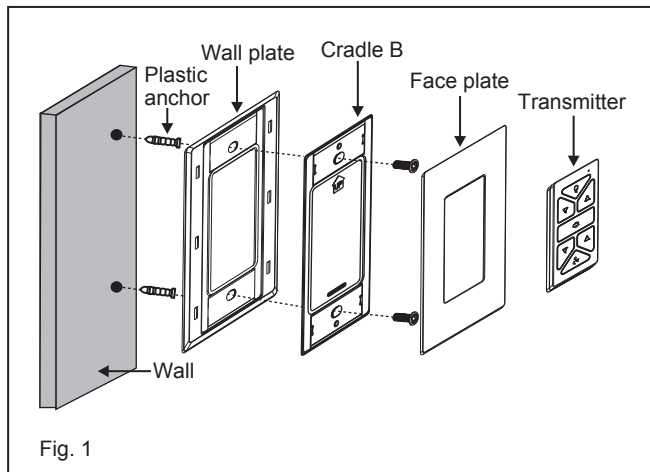
INSTALLING THE WALL CONTROL

REMEMBER to turn off the power before you begin.

NOTE - Secures to any surface or application: flat wall, single gang box, multi gang box.

Option 1. Flat Surface Installation

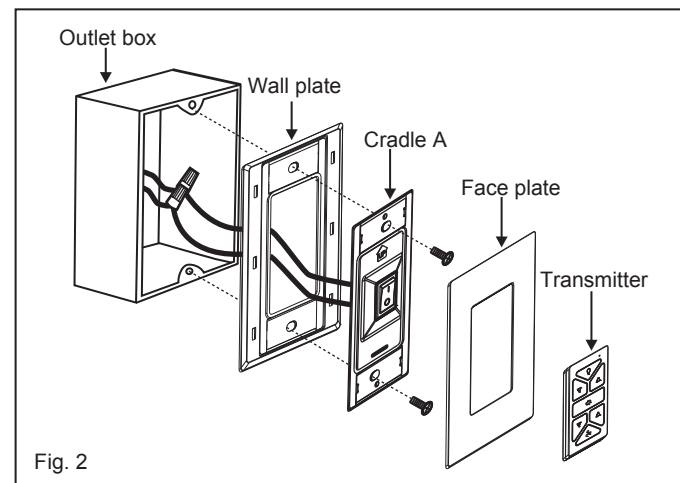
- 1 Select a desired location. Use the wall plate to mark the location of the mounting holes. Plastic wall anchors or mounting screws are needed for this application. (Fig. 1)
- 2 Seat the cradle B into the wall plate. Secure the wall plate to the wall using the provided hardware.
- 3 Snap the face plate cover onto the wall bracket.
- 4 Remote transmitter will be held in place with built in magnets.



HIRO HIRO Control System

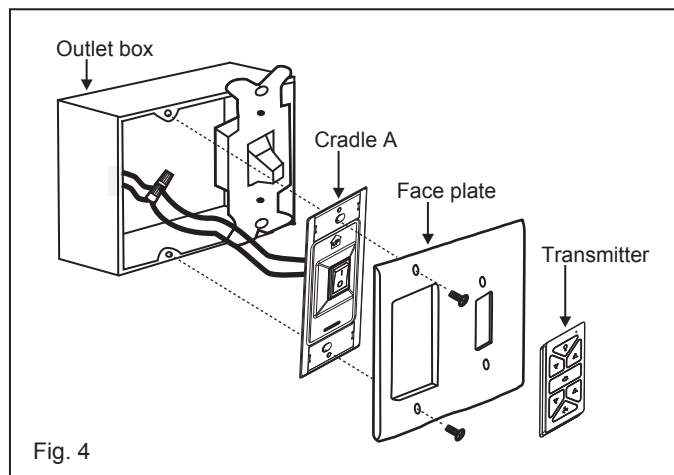
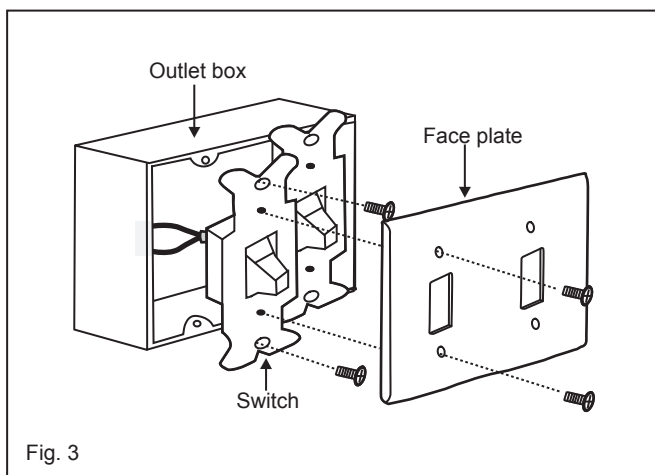
Option 2. For single gang box

- 1 Remove the existing wall plate and the old switch from the wall outlet box.
- 2 Seat the cradle A into the wall plate. (Fig. 2)
- 3 Connect the black lead wires from the switch in the cradle A to the black wires in the switch box. Hot input wire to one of the cradle A switch leads. Power lead to the fan is connected to the remaining switch lead.
- 4 Connect the wall plate / cradle A assembly to the wall outlet box using the supplied hardware.
- 5 Snap the face plate cover onto the wall bracket.
- 6 Remote transmitter will be held in place with built in magnets.



Option 3. Multi Gang Wall Switch Box Installation

- 1 Remove the existing wall plate and old switch from the wall outlet box. (Fig. 3)
- 2 Connect the black lead wires from the switch in the cradle A to the black wires in the switch box. Hot input wire to one of the cradle switch leads. Power lead to the fan is connected to the remaining switch lead. (Fig. 4)
- 3 Attach the cradle A to the wall switch box using the supplied hardware.
- 4 Attach the multi-gang faceplate to the switch set in the wall outlet box. Cradle A of Hinkley switch will fit in any standard decora face plate.
- 5 Remote transmitter will be held in place with built in magnets.



 **HIRO HIRO Control System**

OPERATION

Your DC brushless motor is equipped with an automatically learned type remote control. There is no frequency switches on the receiver or transmitter. The fan can start to use once the pairing process is done.

Remove the panel from the transmitter and then install one 2032 battery (included). You need to use a coin to open or close the battery cover. To prevent damage to transmitter, remove the battery if not use for long periods of time (Fig. 1)



WARNING: Chemical Burn Hazard.
Keep batteries away from children.

This product contains a lithium button/coin cell battery. If a new or used lithium button/coin cell battery is swallowed or enters the body, it can cause severe internal burns and can lead to death in as little as 2 hours. Always completely secure the battery compartment. If the battery compartment does not close securely, stop using the product, remove the batteries, and keep it away from children. IF you think batteries might have been swallowed or placed inside any part of the body, seek immediate medical attention.

The batteries shall be disposed of properly, including keeping them away from children; Even used cells may cause injury.

- 1 button: Press this button and release instantly to turn on or off the light.
- 2 button: Press and hold to dim or brighten lights to the desired level and release.
- 3 button: Press this button to set fan wind direction up or down.
- 4 button: Press button for turn on and setting 1-6 fan speed.
- 5 button: Press this button to turn the fan off.
- 6 Signal light (Fig. 2)

Pairing Process

NOTE: If installing/pairing more than one fan in an area, the power must be disconnected from all fans except the one fan being paired.

With the fan's power off, restore power to the fan. Press and hold "" button for about 5 seconds and release. If optional light kit is installed, the light kit will flash three times and the motor spin up for 10 seconds on low speed. The fan has completed the pairing process with the wall control and is ready for use.

NOTE: A single fan can be controlled with as many as 3 wall controls in one room. Every control will need to repeat the pairing process based on instructions above and all controls must be within 30 feet of the fan.

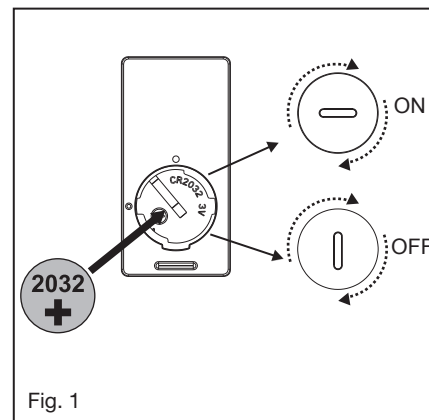


Fig. 1

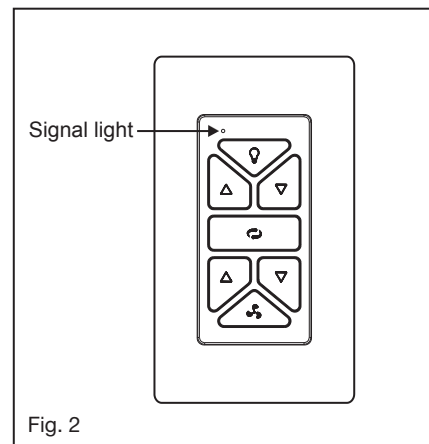
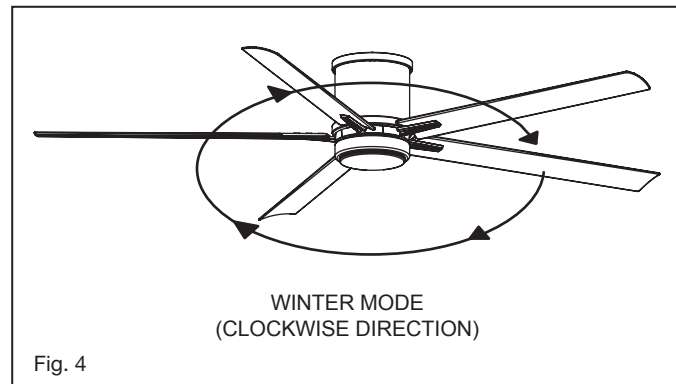
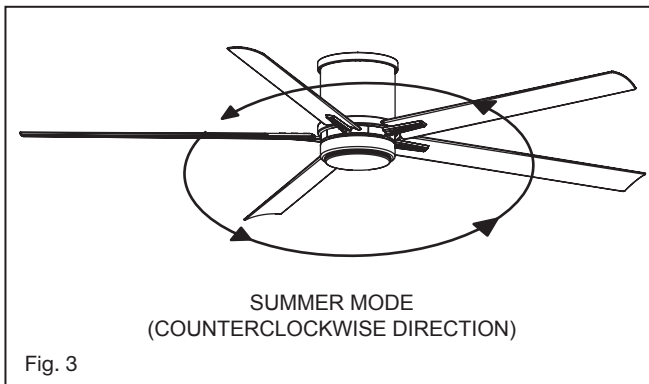


Fig. 2

HIRO HIRO Control System

Summer Mode and Winter Mode Operation

- 7 Summer Mode (forward):
A DOWNWARD airflow creates a cooling effect as shown in Figure 3. This allows you to set your air conditioner on a warmer setting without affecting your comfort.
- 8 Winter Mode (Reverse):
An UPWARD airflow moves warmer air off the ceiling area as shown in Figure 4. This allows you to set your heating unit on a cooler setting without affecting your comfort.



CARE AND CLEANING

Periodically it may be necessary to re-tighten blade to blade arm screws or blade arm to motor screws to prevent clicking or humming sound during operation. This is especially true in climates with broad temperature and humidity ranges.

When dusting the blades, you must support the blade to prevent bending - no pressure should be applied to the blades. If you experience any flaws in the operation of your fan, please check the following points.

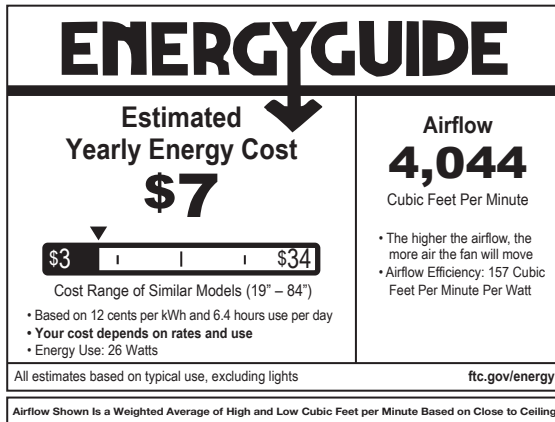
TROUBLESHOOTING

Switch off power supply before carrying out any of these checks.

PROBLEM	SOLUTION
FAN WILL NOT START	<ol style="list-style-type: none">1. Check circuit fuses or breakers.2. Check wall control LED indicator light. If LED is not illuminated when pushing a button, it is not transmitting a signal. Please check power to wall control/circuit breaker and all electrical connections.3. Assure there are no more than 2 fans operating on a circuit through the wall control. Assure that there are no more than 12 fans operating on a circuit through an on/off wall switch or a breaker (not through a wall control).4. Assure that the fan is within range of the WiFi (150 ft.) or wall control (30 ft.).
FAN SOUNDS NOISY	<ol style="list-style-type: none">1. Allow a 24-hour "breaking-in" period. Most noise associated with a new fan will disappear during this time.2. Make sure all motor housing screws are securely fastened.3. Make sure the screws that attach the fan blade to the fan are tight.4. Make sure your ceiling box is secure and rubber isolator pads are used between the mounting bracket and outlet box.
FAN WOBBLER	<ol style="list-style-type: none">1. Check that all blade and blade arm screws are secure.2. If the blade wobble is still noticeable, interchanging two adjacent (side by side) blades can redistribute the weight and possibly result in smoother operation.3. Check to assure all dowrods to motor hardware and/or hanger ball are tight.4. Make sure ceiling box is secure.

ENERGY GUIDE

AVERAGE PERFORMANCE AND ENERGY INFORMATION



SPECIFICATIONS

PERFORMANCE SPECIFICATIONS	STANDARD	
	HIGH SPEED	LOW SPEED
Airflow (CFM)	6264	1527
Energy Use (Watts)	36.3	3.1
Airflow Efficiency (CFM/W)	0	0
Energy Costs (Yearly)	\$7	\$1
Amps	0.48	0.06
RPMs	161	43

SMART BY BOND

HINKLEY SMART FAN OPTIONS:

In addition to the included wall control, you can control your Hinkley fan through the Bond app.

- To use the app, download it for free from the App Store or Google Play.
- Open the app to create your account. You can also login with your Facebook or Google account.
- Next, set up a WiFi connection. You will need the SSID and WiFi password for the network you want to connect to.
- You will receive a prompt to choose the finish of your fan and name your fan device.
- The app will walk you through the main screen and show you how to change fan speeds, dim the light, set timers or utilize breeze mode.

NOTE: Maximum of 2 fans can operate on a circuit through the wall control. Maximum of 12 fans can operate on a circuit through an on/off switch or breaker when utilizing the app for the fan control (without the wall control in the circuit).

How to correct "Fan paired to wrong transmitter" on Smart by Bond fans supporting multiple transmitters:

• Smart Phone Method (recommended)

- Open the Bond Home app.
- Tap on the Fan you want to modify.
- Tap the settings icon in the upper right corner.
- Scroll down and tap "Manage Remotes".
- Delete just the remotes in question; or, use the triple-dot menu and select "Forget all remotes".
- Tap "Learn a new remote".
- Follow on-screen prompts to (re) learn the desired remotes into the fan.

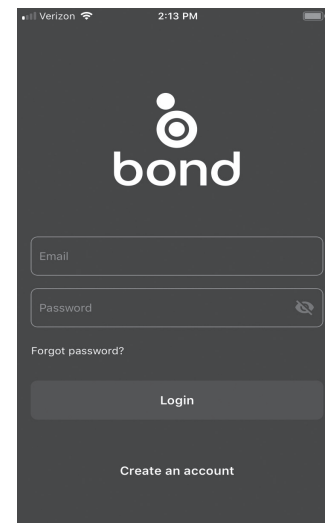
• Factory Reset Method

- Turn mains power OFF to all fans.
- Turn mains power ON only for the fan needing code correction.
- Within 15 seconds of turning on, hold down the Speed 1 button on any compatible transmitter for 20 seconds.
- The fan light should blink 5 times and may spin up on low speed for 10 seconds.

- Wait 10 seconds.
- Hold down the Power button on the transmitter you wish to pair. The fan light should flash three times and the motor spin up for 10 seconds on low speed.
- If you were using the fan on Wi-Fi, you will need to reconnect to Wi-Fi.

• Brute Force Method

- Turn mains power OFF to the fan.
- Turn mains power back ON on the fan.
- Hold down the Power button on the transmitter for 5 seconds, until the fan light flashes 3 times.
- Repeat steps a--c above 4 more times.
- The fan's memory is now totally overwritten, and it has forgotten all other remotes.



<https://bondhome.io/app>

HINKLEY IS PROUD TO PROVIDE YOU WITH CEILING FAN PRODUCTS THAT ENHANCE YOUR SPACE WITH COMFORT, PURPOSE AND STYLE. AS A FAMILY COMPANY, WE ARE COMMITTED TO DESIGN, PERFORMANCE AND QUALITY, AND WHAT'S IMPORTANT TO YOU IS PARAMOUNT TO US.

FOR A COMPLETE ASSORTMENT OF OUR PRODUCTS AND SOURCE BOOKS, VISIT HINKLEY.COM.

HINKLEY

GLOBAL HEADQUARTERS

33000 Pin Oak Parkway | Avon Lake, Ohio 44012

T (440) 653 5500 | F (440) 653 5555 | hinkley.com

HINKLEY

52" VAIL FLUSH™

VENTILADOR LED INTERIOR /
EXTERIOR



WET



DC MOTOR



LED



CERTIFIED



WIFI



HIRO

MANUAL DE INSTRUCCIONES PARA
VENTILADORES DE TECHO

QUEREMOS QUE AMES A TU NUEVO VENTILADOR

ASÍ QUE ESTAMOS AQUÍ SI TIENE UNA PREGUNTA,
NECESITA AYUDA O QUIERE HABLAR SOBRE NUESTROS
PRODUCTOS. ENVÍE SUGERENCIAS NUESTRO CAMINO
TAMBIÉN: SIEMPRE ESTAMOS BUSCANDO HACER QUE
SU EXPERIENCIA CON HINKLEY SEA POSITIVA.

> **SERVICE@HINKLEY.COM**

> **800.HINKLEY**

> **VAMOS A ESE ESTILO**

HINKLEY@HINKLEY #HINKLEYSTYLE

Este manual contiene instrucciones completas para la
instalación y operación de este ventilador. Ha sido
diseñado para hacer que el proceso de instalación sea
lo más fácil posible. Si no está familiarizado o no se
siente cómodo con el cableado, comuníquese con un
electricista calificado. Si necesita asistencia adicional o
tiene alguna pregunta, comuníquese con nosotros.

Para obtener información sobre la garantía, visite hinkley.com.

TABLA DE CONTENIDO

02	INSTRUCCIONES GENERALES DE INSTALACIÓN Y FUNCIONAMIENTO	09	INSTALACIÓN DE LA PLACA ADAPTADORA
03	PRECAUCIONES DE SEGURIDAD IMPORTANTES	10	INSTALACIÓN DEL CONJUNTO DEL LED Y LA PANTALLA DE CRISTAL
03	HERRAMIENTAS Y MATERIALES REQUERIDOS	12	INSTALACIÓN DEL CONTROL DE PARED
04	DESEMBALAJE SU VENTILADOR	13	OPERACIÓN
05	PREPARACIÓN	15	CUIDADO Y LIMPIEZA
05	INSTALACIÓN DEL SOPORTE COLGANTE	15	SOLUCIÓN DE PROBLEMAS
06	COLGAR EL VENTILADOR	16	GUÍA ENERGÉTICA
07	CONEXIONES ELÉCTRICAS	16	ESPECIFICACIONES
08	TERMINANDO LA INSTALACIÓN	17	INTELIGENTE POR BOND
09	INSTALACIÓN DE LAS CUCHILLAS		

ADVERTENCIA:

Lea y siga estas instrucciones cuidadosamente y tenga en cuenta todas las advertencias que se muestran a lo largo

INSTRUCCIONES GENERALES DE INSTALACIÓN Y OPERACIÓN

- 1 Para asegurar el éxito de la instalación, asegúrese de leer las instrucciones y revisar los diagramas detenidamente antes de comenzar.
- 2 Para evitar una posible descarga eléctrica, asegúrese de que la electricidad esté apagada en la caja de alimentación principal antes de realizar el cableado. Todas las conexiones eléctricas deben realizarse de acuerdo con los códigos, ordenanzas locales y / o el Código Eléctrico Nacional. Si no está familiarizado con los métodos de instalación de cableado y productos eléctricos, contrate los servicios de un electricista calificado y con licencia, así como de alguien que pueda verificar la resistencia de los miembros del techo de apoyo y realizar las instalaciones y conexiones adecuadas.
- 3 **ADVERTENCIA:** Para reducir el riesgo de incendio, descarga eléctrica u otras lesiones personales, monte el ventilador solo en una caja de salida o sistema de soporte marcado como aceptable para soporte de ventilador de 35 libras (15,9 kg) o menos y use los tornillos de montaje que se proporcionan con la caja de salida. La mayoría de las cajas de distribución que se utilizan comúnmente para el soporte de los artefactos de iluminación no son aceptables para el soporte del ventilador y pueden necesitar ser reemplazadas. Consulte a un electricista calificado en caso de duda.
- 4 Asegúrese de que el lugar de instalación no permita que las aspas giratorias del ventilador entren en contacto con ningún objeto. Las cuchillas deben estar al menos a 7 pies del piso.
- 5 Las cuchillas deben colocarse después de colgar y colocar la carcasa del motor. La carcasa del motor del ventilador debe mantenerse en la caja hasta que esté lista para ser instalada para proteger su acabado. Si está instalando más de un ventilador de techo, asegúrese de no mezclar conjuntos de aspas de ventilador, ya que cada aspa es parte de un conjunto ponderado.
- 6 Después de realizar las conexiones eléctricas, los conductores empalmados deben girarse hacia arriba y empujarse con cuidado hacia el interior de la caja de distribución. Los cables deben separarse con el conductor común y el conductor de conexión a tierra en un lado de la caja de salida, y los cables "VIVOS" en el otro lado.
- 7 Los diagramas eléctricos son solo para referencia. Los juegos de luces que no están empaquetados con el ventilador deben estar listados por UL y deben instalarse según las instrucciones de instalación del juego de luces.
- 8 Una vez que el ventilador esté completamente instalado, verifique que todas las conexiones estén seguras para evitar que el ventilador se caiga y / o cause daños o lesiones.
- 9 Se puede hacer que el ventilador funcione inmediatamente después de la instalación: los cojinetes están adecuadamente cargados con grasa, de modo que, en condiciones normales, no debería ser necesaria una lubricación adicional durante la vida útil del ventilador.
- 10 Para operar la función de retroceso en este ventilador, presione el botón de retroceso mientras el ventilador está funcionando.
- 11 **PRECAUCIÓN:** No ingiera la batería: peligro de quemaduras químicas. Mantenga las pilas nuevas y usadas fuera del alcance de los niños.
- 12 El mando a distancia se suministra con una pila tipo moneda / botón. Si se traga la batería de tipo botón / moneda, puede causar quemaduras internas graves en solo 2 horas y puede provocar la muerte.
- 13 Si el compartimento de la batería no se cierra de forma segura, deje de usar el producto y manténgalo alejado de los niños.
- 14 Si cree que las baterías pueden haber sido ingeridas o colocadas dentro de cualquier parte del cuerpo, busque atención médica de inmediato.

PRECAUCIONES IMPORTANTES DE SEGURIDAD

ADVERTENCIAS:

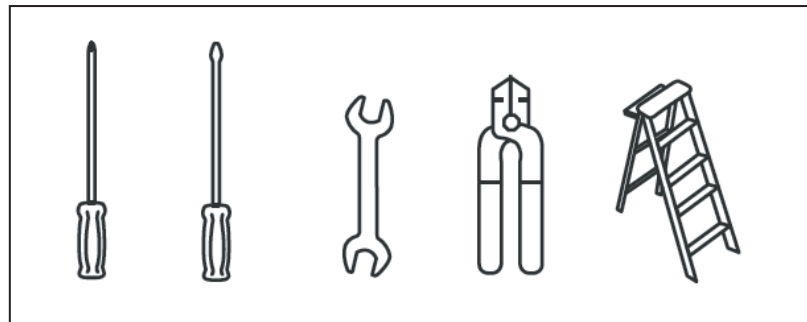
- Desconecte la energía quitando el fusible o apagando el interruptor de circuito antes de instalar el ventilador y / o la iluminación opcional.
- Apoyo directo desde la estructura del edificio.
- Para reducir el riesgo de incendio, descarga eléctrica o lesiones personales, monte en la caja de salida marcada como "aceptable para soporte del ventilador" y use los tornillos de montaje provistos con la caja de salida. La mayoría de las cajas de salida comúnmente utilizadas para el soporte de accesorios de iluminación no son aceptables para el soporte del ventilador y pueden necesitar ser reemplazadas. Consulte a un electricista calificado si tiene dudas.
- No utilice un atenuador de luz incandescente. No utilice este ventilador con ningún dispositivo de control de velocidad del ventilador de tipo transformador. To reduce the risk of personal injury, do not bend the blade arms when installing them, balancing the blades or cleaning the fan.
- No inserte ningún objeto (s) entre las aspas giratorias del ventilador.

NOTA:

Las precauciones, salvaguardas e instrucciones importantes que aparecen en este manual no están destinadas a cubrir todas las condiciones y situaciones posibles que puedan ocurrir. Debe entenderse que el sentido común, la precaución y el cuidado son factores que no se pueden incorporar a este producto. Estos factores deben ser proporcionados por la (s) persona (s) que instalan, cuidan y operan la unidad.

HERRAMIENTAS Y MATERIALES REQUERIDOS

- DESTORNILLADOR PHILLIPS
- DESTORNILLADOR PLANO
- LLAVE O ALICATES
- CORTADOR DE CABLES
- ESCALERA DE TIJERA
- SUMINISTROS DE CABLEADO
SEGÚN REQUERIDO POR CÓDIGO
ELÉCTRICO



DESEMBALAJE SU VENTILADOR

DESEMBALA TU VENTILADOR Y CONSULTA EL CONTENIDO

• No deseche la caja. Si alguna vez es necesario reemplazar o reparar la garantía, el ventilador debe devolverse en su embalaje original. Retire todas las piezas y hardware. No coloque la carcasa del motor de lado, ya que la carcasa decorativa podría moverse, doblarse o dañarse.

• Examine todas las partes. Deberías tener lo siguiente:

CONTENIDO DEL PAQUETE		
1	Juego de 5 cuchillas	BL902152Fxx
2	Juego de 5 brazos para cuchillas	BLI902552Fxx
3	Soporte de montaje	x
4	Anillo decorativo	RG900852Fxx
5	Carcasa del ventilador con motor * Retire los soportes de goma para transporte alrededor del motor, si corresponde. Guarde los tornillos.	x
6	Placa adaptadora	AP902552Fxx
7	Montaje de LED de 16W	E900852LED
8	Pantalla de vidrio	GL900852ETCH
9	Receptor (preinstalado)	CNW902552
10	Control de pared con batería HIRO 2032, base A, placa de pared, placa frontal, 2 tornillos de montaje, Cuna B (solo para uso en pared plana)	980014FWH-R
11	Bolsa de hardware	
	Hardware de montaje del soporte (tornillos para madera, tornillos, arandelas de seguridad, arandelas de estrella, arandelas planas, tuercas de alambre), tornillos de brazo de hoja a hoja con arandelas de seguridad, Tornillos de hoja a motor y arandelas de goma, Kit de equilibrio, Hardware del cable de seguridad (tornillo para madera, arandela plana)	HW902152Fxx
XX=ACABADO DEL VENTILADOR		

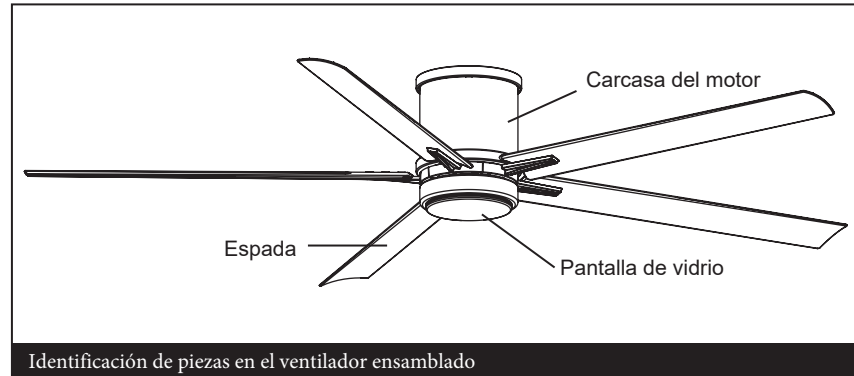
NOTA: El diseño de las piezas que se muestran arriba puede parecer un poco diferente para su modelo específico de ventilador.

PREPARACIÓN

PREPARACIÓN:

Verifique que tenga todas las piezas antes de comenzar la instalación. Revise el inserto de espuma de cerca para ver si faltan piezas. Retire el motor del embalaje. Para evitar daños en el acabado, monte el motor sobre una superficie suave y acolchada o utilice el inserto de espuma original en la caja del motor.

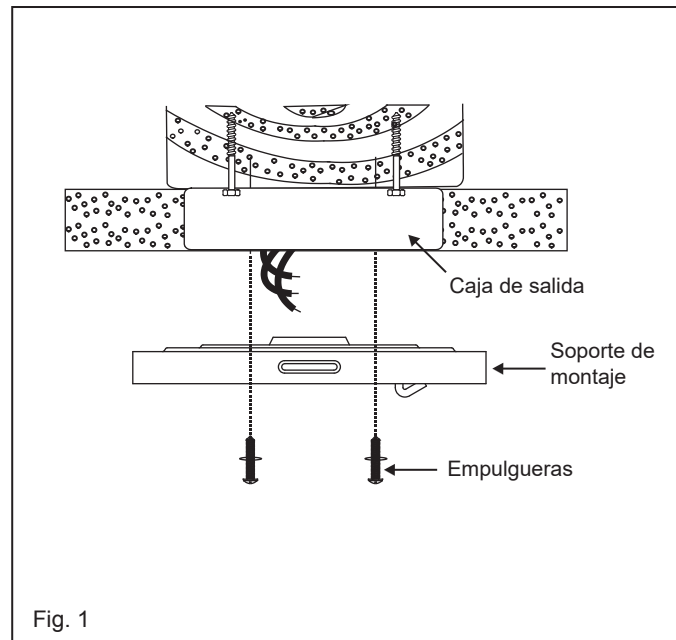
NO COLOQUE LA CARCASA DEL MOTOR DE LADO, YA QUE ESTO PODRÍA RESULTAR EN EL DESPLAZAMIENTO DEL MOTOR EN EL CUBIERTO DECORATIVO.



INSTALACIÓN DEL SOPORTE COLGANTE

PRECAUCIÓN: Para evitar posibles descargas eléctricas, asegúrese de que la electricidad esté apagada en la caja de energía principal antes de realizar el cableado. Todo el cableado debe estar de acuerdo con los códigos eléctricos nacionales y locales y el ventilador de techo debe estar conectado a tierra como medida de precaución contra posibles descargas eléctricas.

- 1 Ubique la viga del techo donde se instalará el ventilador, asegurándose de que la ubicación coincida con los requisitos de la sección de espacio libre mínimo de esta guía. La viga de madera debe ser sólida y de tamaño adecuado para soportar 35 libras. (Consulte la página 1, elementos 3 y 4).
- 2 Si aún no está presente, monte una caja de salida listada por UL marcada como "adecuada para soporte de ventilador" siguiendo las instrucciones proporcionadas con la caja de salida. La caja de distribución debe poder soportar un mínimo de 35 libras.
- 3 Fije el soporte de montaje a la caja de salida con los tornillos que se proporcionan con la caja de salida.

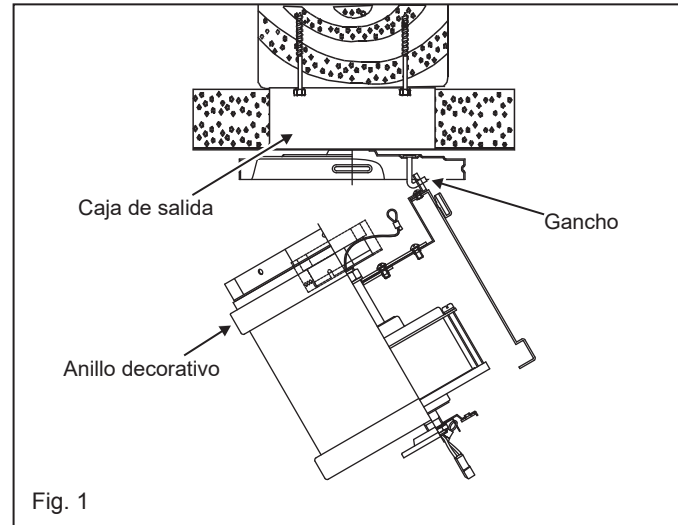


COLGAR EL VENTILADOR

RECUERDE apagar la corriente. Siga los pasos a continuación para colgar su ventilador correctamente.

Coloque el anillo decorativo en la carcasa del motor.

Levante con cuidado el ensamblaje del motor del ventilador (sin las aspas) a su posición colgando el ensamblaje del motor en el gancho de la placa adaptadora de techo para que cuelgue libremente. (Figura 1)

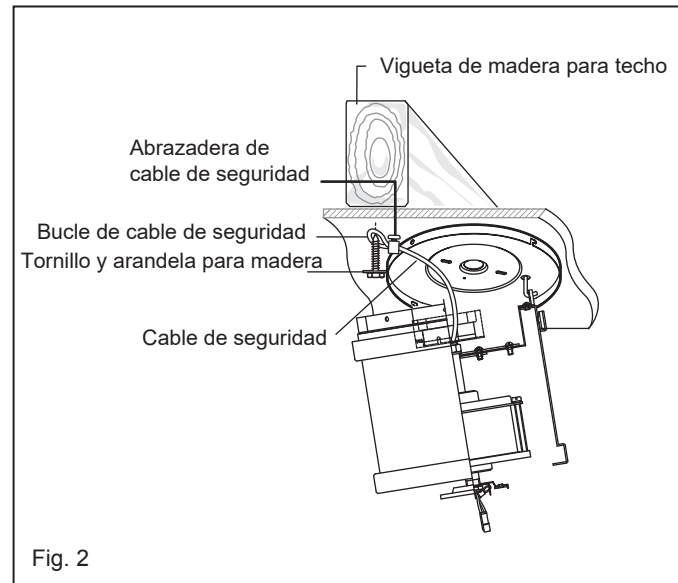


INSTALACIÓN DE SOPORTE DE CABLE DE SEGURIDAD

Fije el tornillo para madera y la arandela plana a la viga del techo como se muestra (no apriete completamente). Deslice la abrazadera del cable en el cable de seguridad del ventilador. Enrolle el cable de seguridad alrededor del tornillo para madera que se acaba de conectar a la viga del techo.

Introduzca el extremo del cable en la abrazadera y pase la mayor cantidad de cable posible. Apriete firmemente el tornillo de la abrazadera. Corte el cable sobrante. (Figura 2)

Ahora está listo para realizar las conexiones eléctricas.



CONEXIONES ELÉCTRICAS

RECUERDA -¡Apaga la energía! NOTA - El control debe instalarse a menos de 30 pies del ventilador.

ADVERTENCIAS: Verifique que todas las conexiones estén apretadas, incluida la tierra, y que no se vea ningún cable desnudo en las tuercas para cables, excepto el cable de tierra.

PRECAUCIÓN: Para reducir el riesgo de descarga eléctrica, este ventilador debe instalarse con un control / interruptor de pared aislante.

1. Para un mejor rendimiento, asegúrese de que la antena negra y la antena WIFI, en el extremo del receptor, permanezcan extendidas y no enredadas con ninguno de los cables eléctricos.
 2. Conecte el cableado desde el techo a la unidad receptora. (Utilice el paquete de 2 cables del receptor). Asegúrelo con las tuercas para cables suministradas. Conecte el cable NEGRO de suministro del edificio al cable
- NEGRO del receptor.
 - Conecte el cable neutro BLANCO del receptor al cable neutro BLANCO del edificio.
 - Conecte el cable de tierra del edificio de COBRE a los 4 cables de tierra AMARILLO / VERDE del ventilador y el receptor.

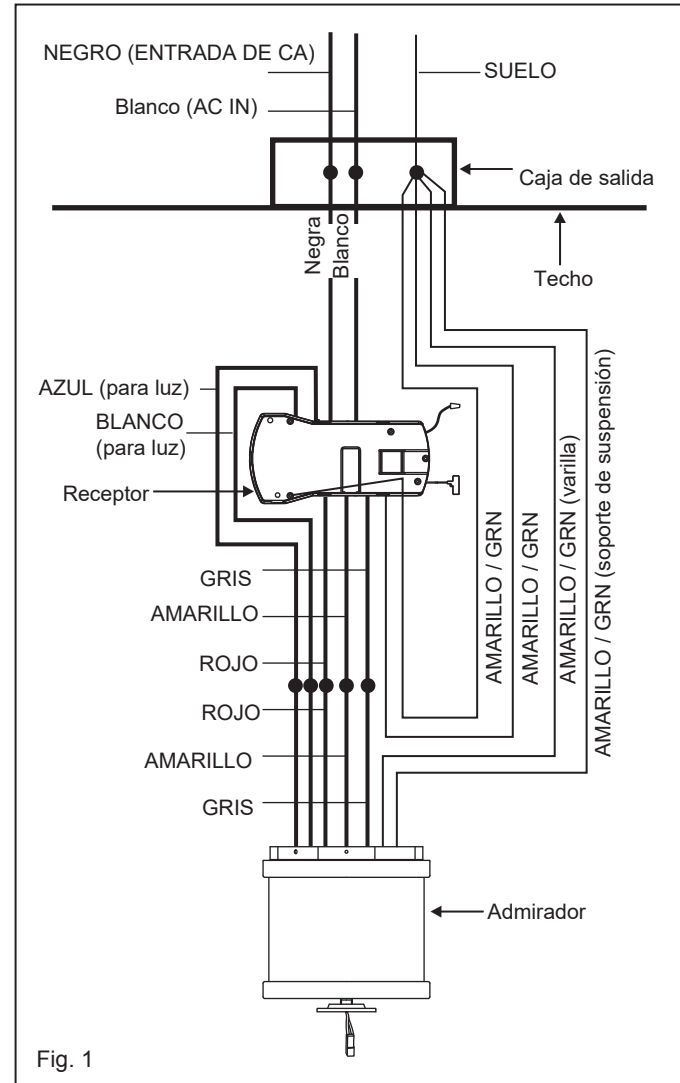
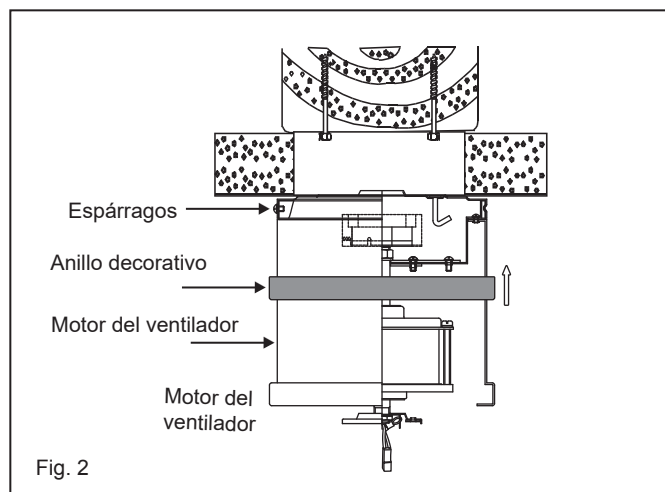
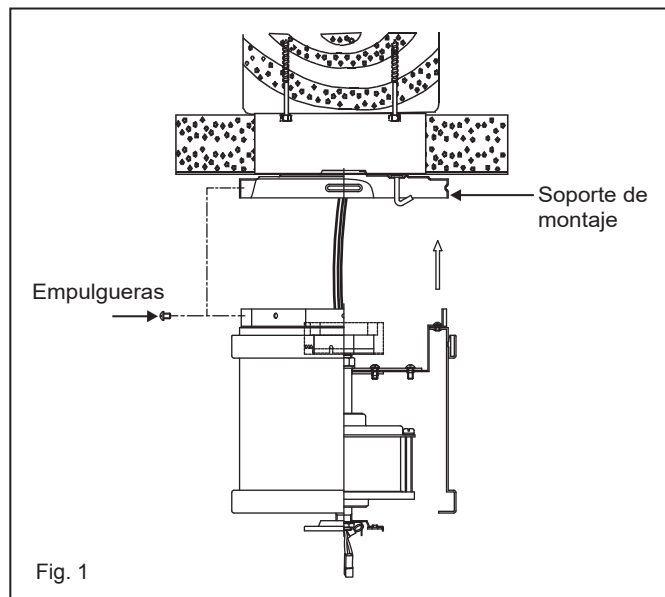


Fig. 1

TERMINANDO LA INSTALACIÓN

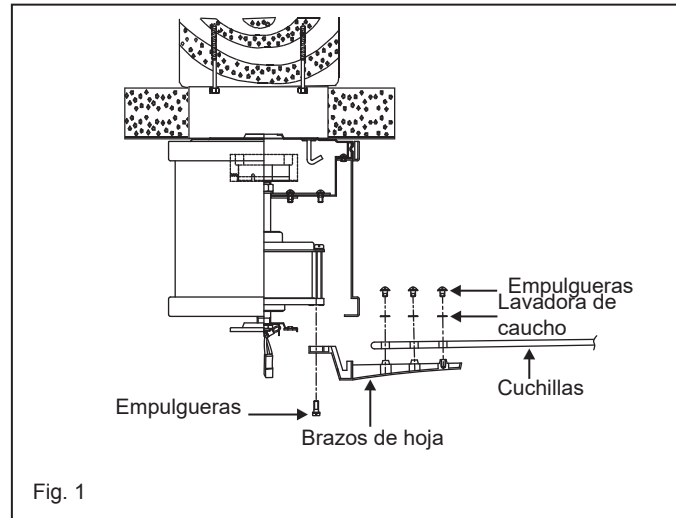
- 1 Mueva el ventilador a su posición sobre el soporte de montaje y asegúrelo con los 4 tornillos provistos. (Figura 1)
- 2 Levante el anillo decorativo y alinee las 4 ranuras del motor del ventilador con las 4 pestañas del anillo decorativo. Una vez alineados, deslice el anillo decorativo y asegúrelo a la parte superior del motor del ventilador hasta que quede ajustado. (Figura 2)



INSTALACIÓN DE LAS CUCHILLAS

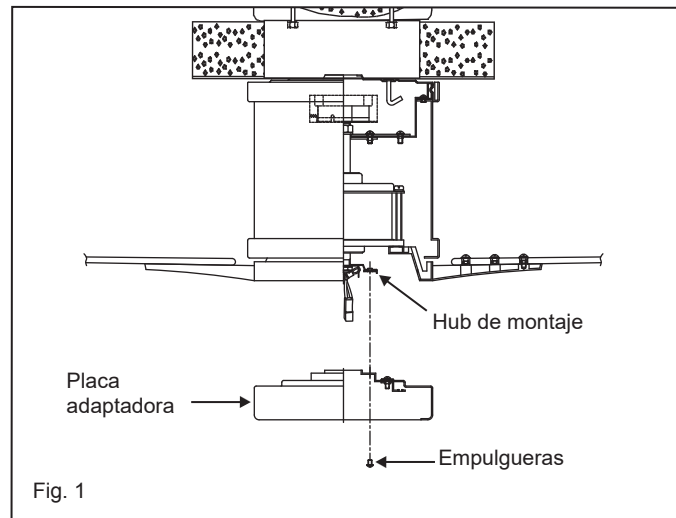
ADVERTENCIA: Para reducir el riesgo de lesiones personales, no doble las aspas mientras instala, equilibra las aspas o limpia el ventilador..

- 1 Fije la hoja a los brazos de la hoja utilizando los tres tornillos de fijación de la hoja y las arandelas de goma. Inserte los tornillos de fijación de una hoja en el brazo de la hoja, pero no los apriete. Repita para los dos tornillos restantes.
- 2 Apriete cada tornillo de forma segura comenzando con el tornillo central. Asegúrese de que la hoja esté recta. Repita estos pasos para las hojas restantes.
- 3 Fije la cuchilla al motor con los tornillos de montaje de la cuchilla proporcionados. Repita el procedimiento para las hojas restantes. ¡Asegúrese de que los tornillos estén APRETADOS! Los tornillos del motor flojos pueden contribuir a un zumbido innecesario durante el funcionamiento.



INSTALACIÓN DE LA PLACA ADAPTADORA

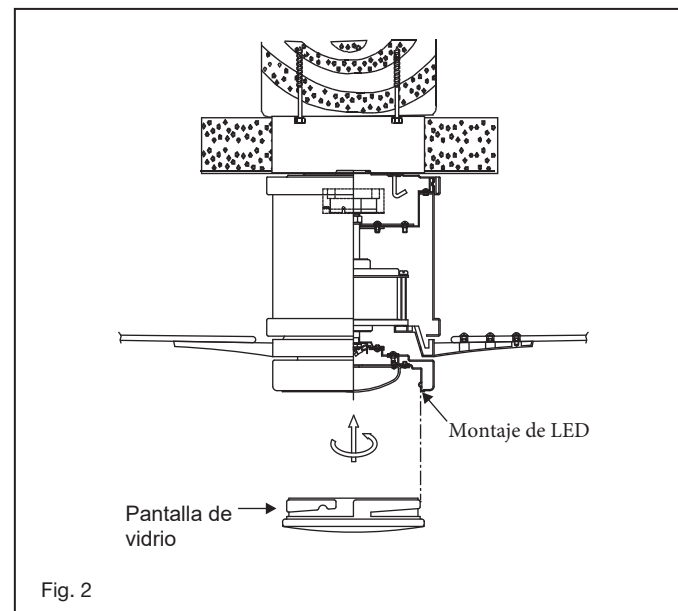
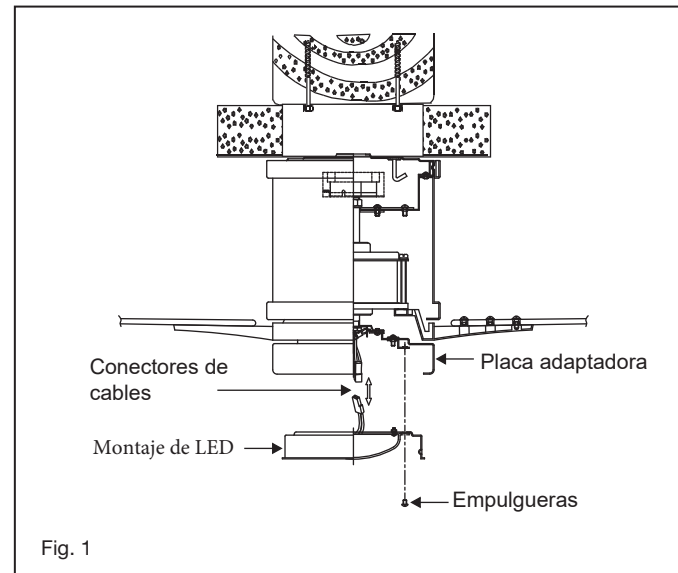
- 1 Retire uno de los tres tornillos del cubo de montaje ubicado en el motor del ventilador.
- 2 Afloje los otros dos tornillos.
- 3 Instale la placa adaptadora en el cubo de montaje.
- 4 Alinee los dos orificios ranurados con los dos tornillos sueltos en el eje de montaje ubicado en el motor del ventilador.
- 5 Vuelva a instalar el tercer tornillo que quitó y apriete los tres.



INSTALACIÓN DEL CONJUNTO DEL LED Y LA PANTALLA DE CRISTAL

ADVERTENCIA: Antes de comenzar la instalación, desconecte la energía apagando el disyuntor o quitando el fusible en la caja de fusibles. Apagar la energía con el interruptor del ventilador no es suficiente para evitar descargas eléctricas.

- 1 Retire 1 de 3 tornillos de los postes de la carcasa decorativa del conjunto de LED y guárdelo para uso futuro. Afloje los otros 2 tornillos. (No quitar)
- 2 Mientras sostiene el conjunto de LED debajo de su ventilador, haga las conexiones de enchufe polarizado: (Fig.2)
 - Rojo a blanco
 - Negro a negro
- 3 Coloque los orificios de la llave en el ensamblaje del LED sobre los 2 tornillos previamente aflojados, gire la placa de luz hasta que encaje en su lugar en la sección estrecha de los orificios de la llave. Asegure apretando los 2 tornillos previamente aflojados y el que previamente quitó. (Figura 1)
- 4 Levante la pantalla de vidrio contra la placa adaptadora y fijela al ventilador girando la pantalla de vidrio en el sentido de las agujas del reloj hasta que quede ajustada. NO APRIETE DEMASIADO.
- 5 Restaure la energía y su kit de luz estará listo para funcionar.



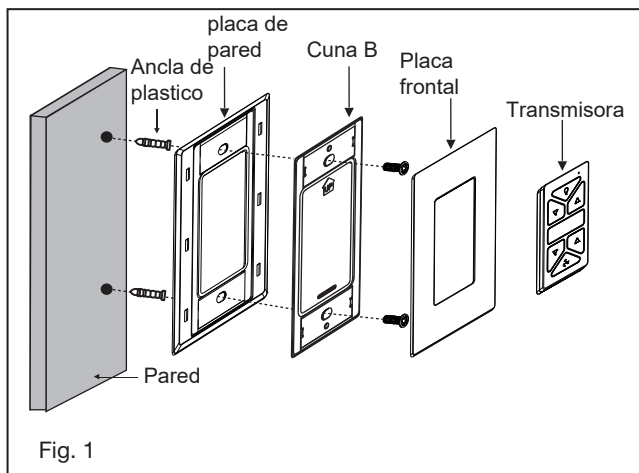
INSTALACIÓN DEL CONTROL DE PARED

RECUERDE apagar la energía antes de comenzar.

NOTA - Se fija a cualquier superficie o aplicación: pared plana, caja de salida simple, caja de entrada múltiple.

Opción 1. Instalación en superficie plana

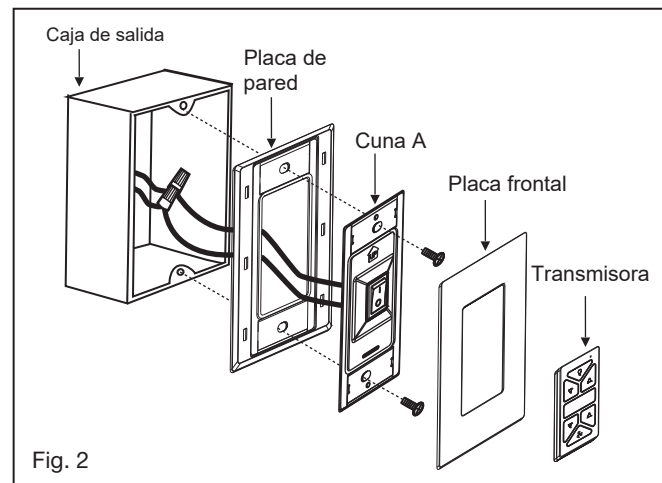
- 1 Seleccione una ubicación deseada. Utilice la placa de pared para marcar la ubicación de los orificios de montaje. Para esta aplicación se necesitan anclajes de pared de plástico o tornillos de montaje. (Figura 1)
- 2 Asiente la base B en la placa de pared. Asegure la placa de pared a la pared con los accesorios provistos.
- 3 Encaje la cubierta de la placa frontal en el soporte de pared.
- 4 El transmisor remoto se mantendrá en su lugar con m incorporado



HIRO Sistema de control HIRO

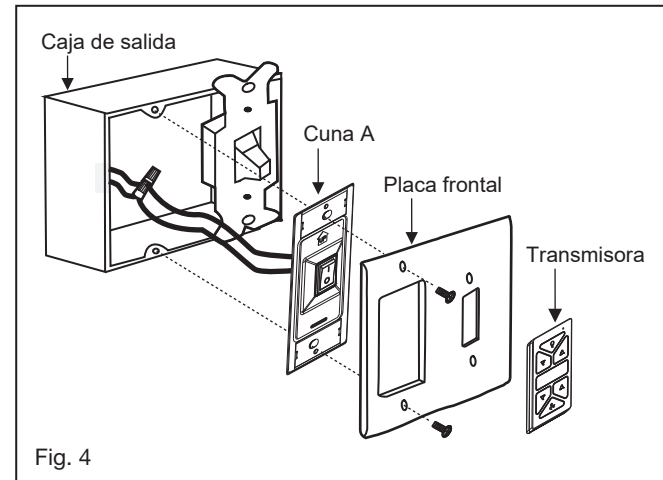
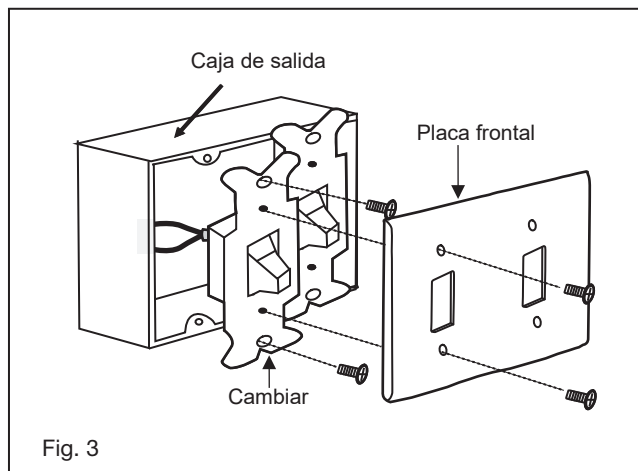
Opción 2. Para caja de salida única

- 1 Retire la placa de pared existente y el interruptor antiguo de la caja de salida de la pared.
- 2 Asiente la base A en la placa de pared. (Figura 2)
- 3 Conecte los cables conductores negros del interruptor en la base A a los cables negros en la caja del interruptor. Cable de entrada caliente a uno de los cables del interruptor de la base A. El cable de alimentación del ventilador está conectado al cable del interruptor restante.
- 4 Conecte el ensamblaje de la placa de pared / base A a la caja de salida de pared utilizando los accesorios suministrados.
- 5 Encaje la cubierta de la placa frontal en el soporte de pared.
- 6 El transmisor remoto se mantendrá en su lugar con imanes incorporados.



Opción 3. Instalación de la caja de interruptores de pared de múltiples unidades

- 1 Retire la placa de pared existente y el interruptor antiguo de la caja de salida de pared. (Fig. 3)
- 2 Conecte los cables conductores negros del interruptor en la base A a los cables negros en la caja del interruptor. Cable de entrada caliente a uno de los cables del interruptor de la base. El cable de alimentación del ventilador está conectado al cable del interruptor restante. (Figura 4)
- 3 Fije la base A a la caja de interruptores de pared utilizando los accesorios suministrados.
- 4 Conecte la placa frontal de varios grupos al interruptor en la caja de salida de la pared. La base A del interruptor Hinkley encajará en cualquier placa frontal decora estándar.
- 5 El transmisor remoto se mantendrá en su lugar con imanes incorporados.



HIRO Sistema de control HIRO

OPERACIÓN

Su motor DC sin escobillas está equipado con un control remoto de tipo aprendizaje automáticamente. No hay interruptores de frecuencia en el receptor o transmisor. El ventilador puede comenzar a usarse una vez que finaliza el proceso de emparejamiento. Retire el panel del transmisor y luego instale una batería 2032 (incluida). Necesita usar una moneda para abrir o cerrar la tapa de la batería. Para evitar daños en el transmisor, retire la batería si no se usa durante largos períodos de tiempo (Fig.1)



VERTENCIA: Peligro de quemaduras químicas. Mantenga las baterías fuera del alcance de los niños.

Este producto contiene una batería de botón / botón de litio. Si una batería de botón / botón de litio nueva o usada se ingiere o ingresa al cuerpo, puede causar quemaduras internas graves y puede provocar la muerte en tan solo 2 horas. Asegure siempre completamente el compartimiento de la batería. Si el compartimiento de las pilas no se cierra de forma segura, deje de usar el producto, retire las pilas y manténgalo alejado de los niños. SI cree que las baterías pueden haber sido ingeridas o colocadas dentro de cualquier parte del cuerpo, busque atención médica de inmediato.

Las baterías deben desecharse correctamente, incluso manteniéndolas fuera del alcance de los niños; Incluso las células usadas pueden causar lesiones.

- 1 botón:
Presione este botón y suéltelo instantáneamente para encender o apagar la luz.
- 2 botón:
Mantenga presionado para atenuar o iluminar las luces al nivel deseado y suéltelo.
- 3 botón:
Presione el botón para encender y configurar 1-3 velocidades del ventilador.
- 4 botón:
Presione este botón para apagar el ventilador.
- 5 Luz de señal (Fig.2)

Proceso de emparejamiento

NOTA: Si instala / empareja más de un ventilador en un área, la alimentación debe desconectarse de todos los ventiladores excepto del que se está emparejando. Con el ventilador apagado, restaure la energía al ventilador. Mantenga pulsado el botón “” durante unos 5 segundos y suéltelo. Si se instala un juego de luces opcional, el juego de luces destellará tres veces y el motor girará durante 10 segundos a baja velocidad. El ventilador ha completado el proceso de emparejamiento con el control de pared y está listo para su uso.

NOTA: Se puede controlar un solo ventilador con hasta 3 controles de pared en una habitación. Cada control deberá repetir el proceso de emparejamiento según las instrucciones anteriores y todos los controles deben estar a menos de 30 pies del ventilador.

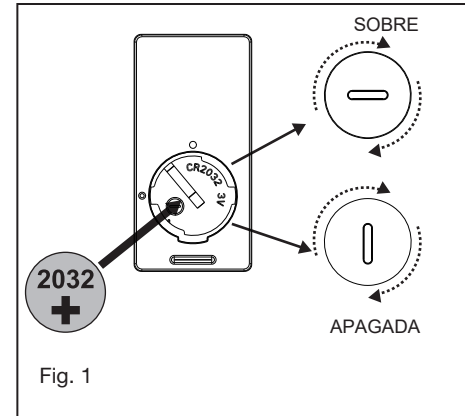


Fig. 1

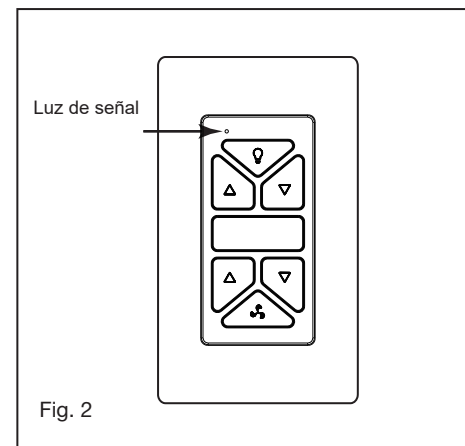
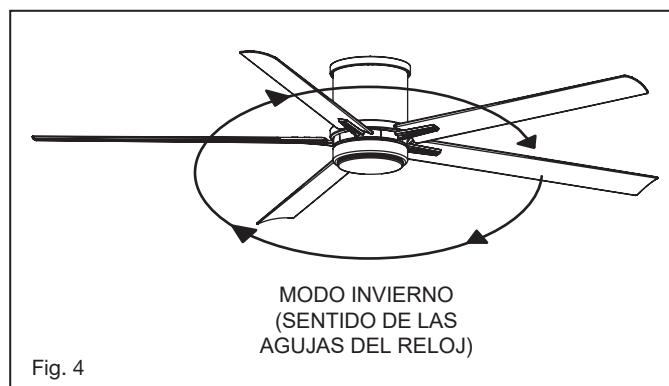
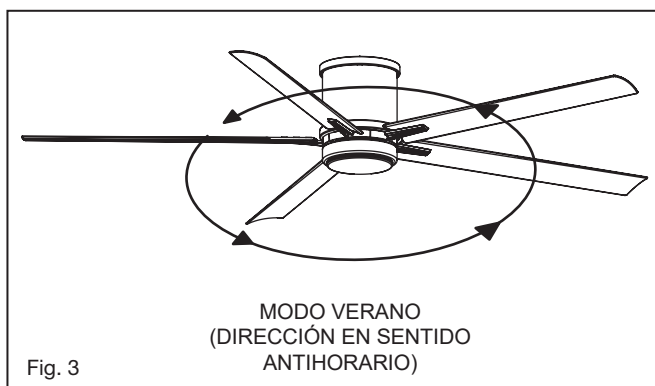


Fig. 2

HIRO Sistema de control HIRO

Funcionamiento en modo verano y modo invierno

- 7** Modo de verano (hacia adelante):
Un flujo de aire HACIA ABAJO crea un efecto de enfriamiento como se muestra en la Figura 3. Esto le permite configurar su acondicionador de aire en una configuración más cálida sin afectar su comodidad.
- 8** Modo de invierno (inverso):
Un flujo de aire HACIA ARRIBA mueve el aire más caliente del área del techo como se muestra en la Figura 4. Esto le permite configurar su unidad de calefacción en una configuración más fría sin afectar su comodidad.



CUIDADO Y LIMPIEZA

Periódicamente puede ser necesario volver a apretar los tornillos de la hoja al brazo de la hoja o del brazo de la hoja a los tornillos del motor para evitar un chasquido o un zumbido durante el funcionamiento. Esto es especialmente cierto en climas con amplios rangos de temperatura y humedad.

Al desempolvar las hojas, debe apoyar la hoja para evitar que se doble; no se debe aplicar presión a las hojas. Si experimenta alguna falla en el funcionamiento de su ventilador, verifique los siguientes puntos.

SOLUCIÓN DE PROBLEMAS

PRECAUCIÓN:

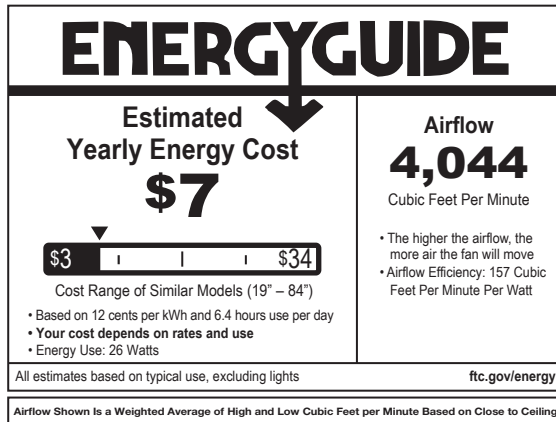
Desconecte la fuente de alimentación antes de realizar cualquiera de estas comprobaciones.

PROBLEMA	SOLUCIÓN
EL VENTILADOR NO ARRANCA	<ol style="list-style-type: none">1. Verifique los fusibles o disyuntores del circuito.2. Verifique la luz indicadora LED del control de pared. Si el LED no se ilumina al presionar un botón, no está transmitiendo una señal. Verifique la alimentación al control de pared / disyuntor y todas las conexiones eléctricas.3. Asegúrese de que no haya más de 2 ventiladores funcionando en un circuito a través del control de pared. Asegúrese de que no haya más de 12 ventiladores operando en un circuito a través de un interruptor de pared de encendido / apagado o un disyuntor (no a través de un control de pared).4. Asegúrese de que el ventilador esté dentro del alcance del WiFi (150 pies) o del control de pared (30 pies).
FAN SUENA RUIDOSO	<ol style="list-style-type: none">1. Permita un período de "asentamiento" de 24 horas. La mayor parte del ruido asociado con un ventilador nuevo desaparecerá durante este tiempo.2. Asegúrese de que todos los tornillos de la carcasa del motor estén bien apretados.3. Asegúrese de que los tornillos que sujetan la paleta del ventilador al ventilador estén apretados.4. Asegúrese de que su caja de techo esté segura y de que se utilicen almohadillas aislantes de goma entre el soporte de montaje y la caja de salida.
VENTILADOR GOLPEA	<ol style="list-style-type: none">1. Verifique que todos los tornillos de la cuchilla y del brazo de la cuchilla estén firmes.2. Si aún se nota la oscilación de la hoja, intercambiar dos hojas adyacentes (una al lado de la otra) puede redistribuir el peso y posiblemente dar como resultado una operación más suave.3. Verifique que todas las varillas de los accesorios del motor y / o la bola de suspensión estén apretadas.4. Asegúrese de que la caja del techo esté segura.

GUÍA DE ENERGÍA

ESPECIFICACIONES

INFORMACIÓN MEDIA DE DESEMPEÑO Y ENERGÍA



ESPECIFICACIONES DE RENDIMIENTO	ESTÁNDAR	
	ALTA VELOCIDAD	BAJA VELOCIDAD
Flujo de aire (CFM)	6264	1527
Energía usada (vattons)	36.3	3.1
Eficiencia de flujo de aire (CFM/W)	0	0
Costos de energía (anual)	\$7	\$1
Amplificadores	0.48	0.06
RPMs	161	43

INTELIGENTE POR BOND

OPCIONES DE VENTILADOR INTELIGENTE DE HINKLEY:

Además del control de pared incluido, puede controlar su ventilador Hinkley a través de la aplicación Bond.

- Para usar la aplicación, descárguela gratis de App Store o Google Play.
- Abra la aplicación para crear su cuenta. También puede iniciar sesión con su cuenta de Facebook o Google.
- A continuación, configure una conexión WiFi. Necesitará el SSID y la contraseña de WiFi para la red a la que desea conectarse.
- Recibirá un mensaje para elegir el acabado de su ventilador y nombrar su dispositivo de ventilador.
- La aplicación lo guiará a través de la pantalla principal y le mostrará cómo cambiar la velocidad del ventilador, atenuar la luz, configurar temporizadores o utilizar el modo brisa.

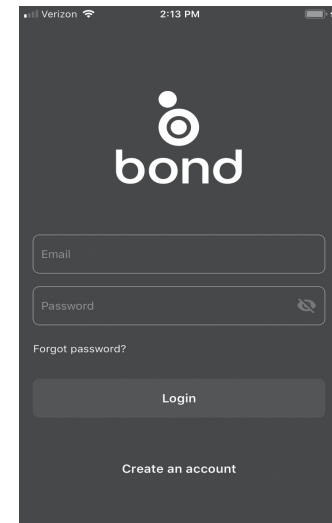
NOTA: Un máximo de 2 ventiladores pueden funcionar en un circuito a través del control de pared. Un máximo de 12 ventiladores pueden operar en un circuito a través de un interruptor o disyuntor de encendido / apagado cuando se utiliza la aplicación para el control del ventilador (sin el control de pared en el circuito).

Cómo corregir "Ventilador emparejado con transmisor incorrecto" en ventiladores Smart by Bond que admiten varios transmisores:

- Método de teléfono inteligente (recomendado)
 - a) Abra la aplicación Bond Home.
 - b) Toque el ventilador que desea modificar.
 - c) Toque el icono de configuración en la esquina superior derecha.
 - d) Desplácese hacia abajo y toque "Administrar controles remotos".
 - e) Elimine solo los controles remotos en cuestión; o use el menú de tres puntos y seleccione "Olvidar todos los controles remotos".
 - f) Toque "Aprender un nuevo control remoto".
 - g) Siga las instrucciones en pantalla para (re) aprender los controles remotos deseados en el ventilador.
- Método de restablecimiento de fábrica
 - a) Apague la alimentación de red de todos los ventiladores.
 - b) Encienda la alimentación de red solo para el ventilador que necesite corrección de código.
 - c) Dentro de los 15 segundos posteriores al encendido, mantenga presionado el botón de Velocidad 1 en cualquier transmisor compatible durante 20 segundos.
 - d) La luz del ventilador debe parpadear 5 veces y puede girar a baja velocidad durante 10 segundos.

- Método de fuerza bruta

- a) Apague el suministro eléctrico del ventilador.
- b) Vuelva a encender el ventilador.
- c) Mantenga presionado el botón de encendido en el transmisor durante 5 segundos, hasta que la luz del ventilador parpadee 3 veces.
- d) Repita los pasos a - c anteriores 4 veces más.
- e) La memoria del ventilador ahora está totalmente sobrescrita y se ha olvidado de todos los demás controles remotos.



<https://bondhome.io/app>

HINKLEY SE ENCUENTRA ORGULLOSO DE PROPORCIONARLE PRODUCTOS PARA VENTILADORES DE TECHO QUE MEJORAN SU ESPACIO CON COMODIDAD, PROPÓSITO Y ESTILO. COMO EMPRESA FAMILIAR, ESTAMOS COMPROMETIDOS CON EL DISEÑO, EL RENDIMIENTO Y LA CALIDAD, Y LO QUE ES IMPORTANTE PARA USTED ES PARAMOUNT PARA NOSOTROS.

PARA UN SURTIDO COMPLETO DE NUESTROS PRODUCTOS Y FUENTES DE LIBROS, VISITA HINKLEY.COM.

HINKLEY

GLOBAL HEADQUARTERS

33000 Pin Oak Parkway | Avon Lake, Ohio 44012

T (440) 653 5500 | F (440) 653 5555 | hinkley.com

HINKLEY

52" VAIL FLUSH™

VENTILATEUR LED INTÉRIEUR /
EXTÉRIEUR



WET



DC MOTOR



LED



CERTIFIED



WIFI



HIRO

MANUEL D'INSTRUCTIONS DU
VENTILATEUR DE PLAFOND

NOUS VOULONS VOUS AIMER VOTRE NOUVEAU FAN

NOUS SOMMES ICI SI VOUS AVEZ UNE QUESTION, BESOIN D'UNE AIDE OU VOULEZ CHAT SUR NOS PRODUITS. ENVOYER DES SUGGESTIONS NOTRE FAÇON AUSSI - NOUS CHERCHONS TOUJOURS À FAIRE DE VOTRE EXPÉRIENCE AVEC HINKLEY UNE POSITIVE.

> SERVICE@HINKLEY.COM

> [800.HINKLEY](tel:800.HINKLEY)

> [LET'S SEE THAT HINKLEY STYLE @HINKLEY](#)
[#HINKLEYSSTYLE](#)

Ce manuel contient des instructions complètes pour l'installation et le fonctionnement de ce ventilateur. Il a été conçu pour rendre le processus d'installation aussi simple que possible. Si vous n'êtes pas familier ou mal à l'aise avec le câblage, veuillez contacter un électricien qualifié. Si vous avez besoin d'aide supplémentaire ou avez des questions, n'hésitez pas à nous contacter.

Pour des informations sur la garantie, visitez hinkley.com.

TABLE DES MATIÈRES

02	INSTRUCTIONS GÉNÉRALES D'INSTALLATION ET D'UTILISATION	09	INSTALLATION DE LA PLAQUE ADAPTATEUR
03	PRÉCAUTIONS DE SÉCURITÉ IMPORTANTES	10	INSTALLATION DE L'ENSEMBLE LED ET DU PARE-VERRE
03	OUTILS ET MATÉRIAUX NÉCESSAIRES	12	INSTALLATION DE LA COMMANDE MURALE
04	DÉBALLAGE DE VOTRE VENTILATEUR	13	OPÉRATION
05	PRÉPARATION	15	ENTRETIEN ET NETTOYAGE
05	INSTALLATION DU SUPPORT DE SUSPENSION	15	DÉPANNAGE
06	SUSPENSION DU VENTILATEUR	16	GUIDE ÉNERGIE
07	CONNECTIONS ELECTRIQUES	16	CARACTÉRISTIQUES
08	FIN DE L'INSTALLATION	17	INTELLIGENT PAR LIEN
09	INSTALLATION DES LAMES		

ATTENTION:

Lisez et suivez attentivement ces instructions et tenez compte de tous les avertissements affichés tout au long.

INSTRUCTIONS GÉNÉRALES D'INSTALLATION ET D'UTILISATION

- 1 Pour assurer le succès de l'installation, assurez-vous de lire les instructions et de revoir attentivement les schémas avant de commencer.
- 2 Pour éviter tout risque de choc électrique, assurez-vous que l'électricité est coupée au niveau du boîtier d'alimentation principal avant de procéder au câblage. Toutes les connexions électriques doivent être effectuées conformément aux codes locaux, aux ordonnances et/ou au Code national de l'électricité. Si vous n'êtes pas familiarisé avec les méthodes d'installation du câblage et des produits électriques, faites appel aux services d'un électricien qualifié et agréé ainsi que de quelqu'un qui peut vérifier la résistance des éléments de support du plafond et effectuer la ou les installations et les connexions appropriées.
- 3 **AVERTISSEMENT** : Pour réduire le risque d'incendie, de choc électrique ou d'autres blessures corporelles, montez le ventilateur uniquement sur une boîte de sortie ou un système de support marqué acceptable pour un support de ventilateur de 35 lb (15,9 kg) ou moins et utilisez les vis de montage fournies avec la boîte de sortie. La plupart des boîtiers de sortie couramment utilisés pour le support des appareils d'éclairage ne sont pas acceptables pour le support des ventilateurs et peuvent devoir être remplacés. Consultez un électricien qualifié en cas de doute.
- 4 Assurez-vous que votre site d'installation ne permettra pas aux pales de ventilateur en rotation d'entrer en contact avec un objet. Les lames doivent être à au moins 7 pieds du sol.
- 5 Les lames doivent être fixées une fois le boîtier du moteur suspendu et en place. Le boîtier du moteur du ventilateur doit être conservé dans le carton jusqu'à ce qu'il soit prêt à être installé pour protéger sa finition. Si vous installez plus d'un ventilateur de plafond, assurez-vous de ne pas mélanger les ensembles de pales de ventilateur, car chaque pale fait partie d'un ensemble lesté.
- 6 Après avoir effectué les connexions électriques, les conducteurs épissés doivent être tournés vers le haut et poussés avec précaution dans la boîte de sortie. Les fils doivent être écartés avec le conducteur commun et le conducteur de mise à la terre d'un côté de la boîte de sortie, et les fils « CHAUDS » de l'autre côté.
- 7 Les schémas électriques sont pour référence seulement. Les kits d'éclairage qui ne sont pas emballés avec le ventilateur doivent être répertoriés UL et doivent être installés conformément aux instructions d'installation du kit d'éclairage.
- 8 Une fois le ventilateur complètement installé, vérifiez que toutes les connexions sont sécurisées pour empêcher le ventilateur de tomber et/ou de causer des dommages ou des blessures.
- 9 Le ventilateur peut être mis en marche immédiatement après l'installation - les roulements sont suffisamment chargés de graisse de sorte que, dans des conditions normales, une lubrification supplémentaire ne devrait pas être nécessaire pendant la durée de vie du ventilateur.
- 10 Pour activer la fonction d'inversion sur ce ventilateur, appuyez sur le bouton d'inversion pendant que le ventilateur est en marche.
- 11 **ATTENTION** : Ne pas ingérer la batterie - Risque de brûlure chimique. Gardez les piles neuves et usagées hors de portée des enfants.
- 12 La télécommande fournie avec une pile bouton/bouton. Si la pile bouton/bouton est avalée, elle peut provoquer de graves brûlures internes en seulement 2 heures et peut entraîner la mort.
- 13 Si le compartiment des piles ne se ferme pas correctement, arrêtez d'utiliser le produit et tenez-le hors de portée des enfants.
- 14 Si vous pensez que des piles ont pu être avalées ou placées à l'intérieur de n'importe quelle partie du corps, consultez immédiatement un médecin.

PRÉCAUTIONS DE SÉCURITÉ IMPORTANTES

AVERTISSEMENTS:

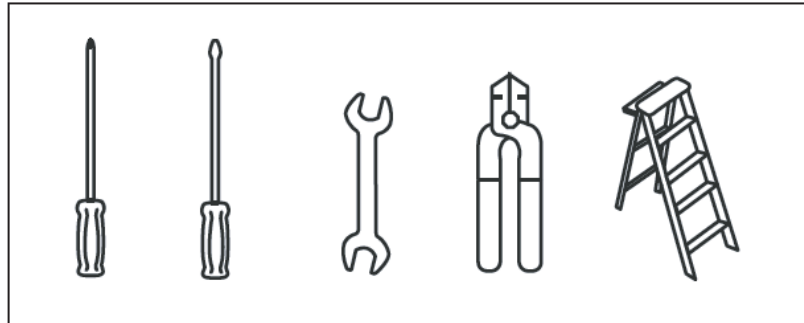
- Coupez l'alimentation en retirant le fusible ou en fermant le disjoncteur avant d'installer le ventilateur et / ou l'éclairage en option.
- Support directement à partir de la structure du bâtiment.
- Pour réduire le risque d'incendie, d'électrocution ou de blessure, montez sur la boîte de sortie marquée "acceptable pour le support du ventilateur" et utilisez les vis de montage fournies avec la boîte de sortie. La plupart des boîtiers de sortie couramment utilisés pour le support des appareils d'éclairage ne sont pas acceptables pour le support du ventilateur et peuvent devoir être remplacés. Consulter un électricien qualifié en cas de doute.
- N'utilisez pas de gradateur de lumière incandescente. N'utilisez pas ce ventilateur avec un dispositif de contrôle de vitesse de ventilateur de type transformateur.
- Pour réduire le risque de blessures corporelles, ne pliez pas les bras des pales lors de leur installation, de l'équilibrage des pales ou du nettoyage du ventilateur.
- N'insérez aucun objet entre les pales du ventilateur en rotation.

REMARQUE:

Les précautions, garanties et instructions importantes figurant dans ce manuel ne sont pas destinées à couvrir toutes les conditions et situations possibles qui peuvent survenir. Il faut comprendre que le bon sens, la prudence et la prudence sont des facteurs qui ne peuvent être intégrés à ce produit. Ces facteurs doivent être fournis par la ou les personnes installant, prenant soin et utilisant l'appareil.

OUTILS ET MATÉRIAUX REQUIS

- TOURNEVIS CRUCIFORME
- TOURNEVIS PLAT
- CLÉ OU PINCE
- COUPE-FIL
- ESCABEAU
- FOURNITURES DE CÂBLAGE
COMME REQUIS PAR LE CODE
ÉLECTRIQUE



DÉBALLAGE DE VOTRE VENTILATEUR

DÉBALLEZ VOTRE VENTILATEUR ET VÉRIFIEZ LE CONTENU

- Ne jetez pas le carton. Si un remplacement ou une réparation sous garantie est nécessaire, le ventilateur doit être retourné dans son emballage d'origine. Retirez toutes les pièces et le matériel. Ne posez pas le boîtier du moteur sur le côté, car le boîtier décoratif pourrait se déplacer, être plié ou endommagé.
- Examinez toutes les pièces. Vous devriez avoir les éléments suivants :

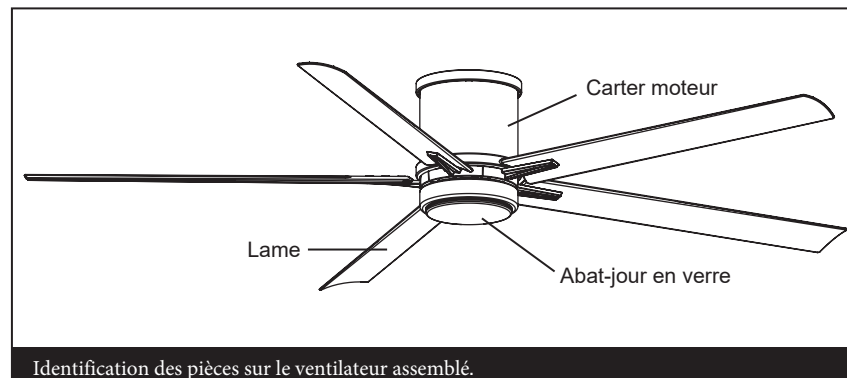
	CONTENU DU COFFRET		
	1	Jeu de 5 lames	BL902152Fxx
	2	Ensemble de 5 bras de lame	BLI902552Fxx
	3	Support de montage	x
	4	Bague décorative	RG900852Fxx
	5	Boîtier de ventilateur avec moteur *Retirez les supports d'expédition en caoutchouc autour du moteur, le cas échéant. Garder les vis.	x
	6	Plaque d'adaptation	AP902552Fxx
	7	Assemblage LED 16W	E900852LED
	8	Abat-jour en verre	GL900852ETCH
	9	Récepteur (pré-installé)	CNW902552
	10	Commande murale avec batterie/2032, socle A, plaque murale, plaque frontale, 2 vis de montage, Berceau B (pour une utilisation sur mur plat uniquement)	980014FWH-R
11	Sac de matériel		
	Matériel de montage de support (vis à bois, vis, rondelles de blocage, rondelles en étoile, rondelles plates, serre-fils), vis de lame à bras de lame avec rondelles de blocage, Vis de lame à moteur et rondelles en caoutchouc, Trousse d'équilibre, Matériel de câble de sécurité (vis à bois, rondelle plate)	HW902152Fxx	
XX= FINITION DU VENTILATEUR			
<p>REMARQUE : La conception des pièces illustrées ci-dessus peut sembler légèrement différente pour votre modèle de ventilateur spécifique.</p>			

PRÉPARATION

PRÉPARATION:

Vérifiez que vous avez toutes les pièces avant de commencer l'installation. Vérifiez attentivement l'insert en mousse pour les pièces manquantes. Retirez le moteur de l'emballage. Pour éviter d'endommager la finition, assemblez le moteur sur une surface rembourrée douce ou utilisez l'insert en mousse d'origine dans le boîtier du moteur.

NE PAS POSER LE BOÎTIER DU MOTEUR SUR LE CÔTÉ CAR CELA POURRAIT ENTRAÎNER UN DÉPLACEMENT DU MOTEUR DANS LE BOÎTIER DÉCORATIF.



Identification des pièces sur le ventilateur assemblé.

INSTALLATION DU SUPPORT DE SUSPENSION

ATTENTION : Pour éviter tout risque de choc électrique, assurez-vous que l'électricité est coupée au niveau du boîtier d'alimentation principal avant de procéder au câblage. Tout le câblage doit être conforme aux codes électriques nationaux et locaux et le ventilateur de plafond doit être mis à la terre par mesure de précaution contre un éventuel choc électrique.

- 1 Localisez la solive de plafond où le ventilateur doit être monté, en vous assurant que l'emplacement est conforme aux exigences de la section de dégagement minimum de ce guide. La solive en bois doit être saine et de taille adéquate pour supporter 35 lb. (Voir page 1, articles 3 et 4).
- 2 S'il n'est pas déjà présent, montez une boîte de sortie répertoriée cUL et marquée « convient pour le support de ventilateur » en suivant les instructions fournies avec la boîte de sortie. La boîte de sortie doit pouvoir supporter un minimum de 35 livres.
- 3 Fixez le support de montage à la boîte de sortie à l'aide des vis fournies avec la boîte de sortie.

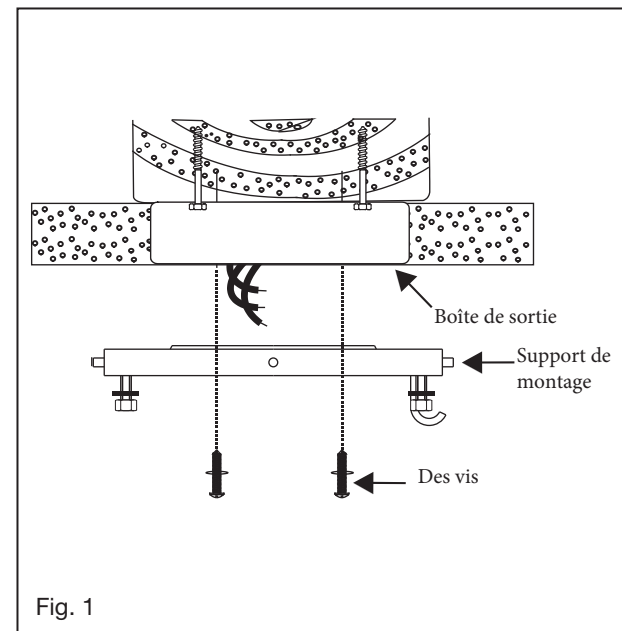


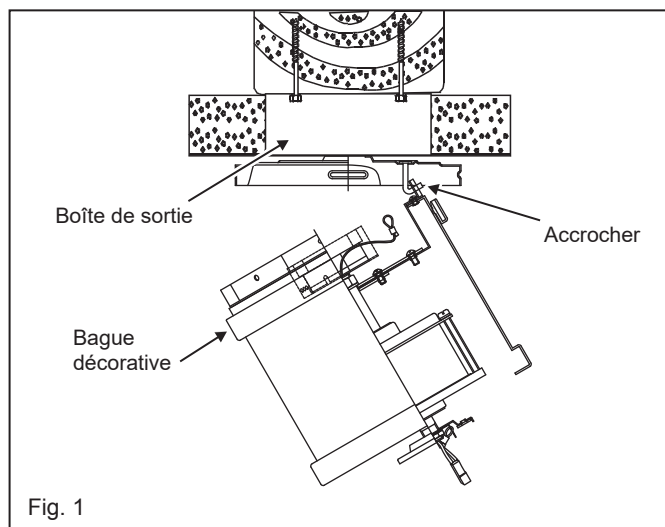
Fig. 1

SUSPENSION DU VENTILATEUR

N'OUBLIEZ PAS de couper l'alimentation. Suivez les étapes ci-dessous pour accrocher correctement votre ventilateur.

Placez l'anneau décoratif sur le boîtier du moteur.

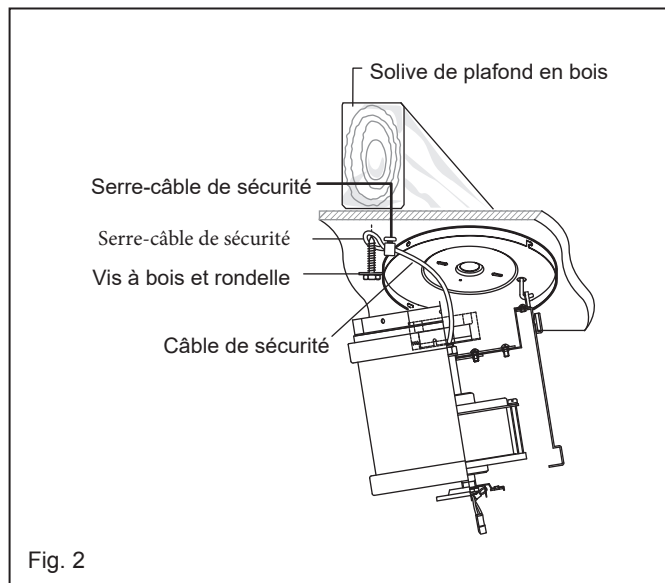
Soulevez avec précaution l'assemblage du moteur du ventilateur (sans les pales) en position en suspendant l'assemblage du moteur sur le crochet de la plaque adaptatrice de plafond lui permettant de pendre librement. (Fig. 1)



INSTALLATION DU SUPPORT DE CÂBLE DE SÉCURITÉ

Fixez la vis à bois et la rondelle plate à la solive de plafond comme illustré (ne serrez pas complètement). Faites glisser le serre-câble sur le câble de sécurité du ventilateur. Enroulez le câble de sécurité autour de la vis à bois qui vient d'être fixée à la solive de plafond. Insérez l'extrémité du câble dans la pince et tirez autant de câble que possible. Serrez fermement la vis dans la pince. Coupez le surplus de câble. (Fig. 2)

Vous êtes maintenant prêt à effectuer les branchements électriques.



CONNEXIONS ELECTRIQUES

RAPPELEZ-VOUS - Coupez le courant ! REMARQUE - La commande doit être installée à moins de 30 pieds du ventilateur.

AVERTISSEMENTS : Vérifiez que toutes les connexions sont bien serrées, y compris la terre, et qu'aucun fil dénudé n'est visible au niveau des serre-fils, à l'exception du fil de terre.

ATTENTION : Pour réduire le risque de choc électrique, ce ventilateur doit être installé avec une commande/un interrupteur mural isolant.

1. Pour de meilleures performances, assurez-vous que l'antenne noire et l'antenne WIFI, à l'extrémité du récepteur, restent étendues et ne s'emmêlent pas avec les fils électriques.
 2. Connectez le câblage du plafond au récepteur. (Utilisez le faisceau de 2 fils sur le récepteur.) Fixez avec les serre-fils fournis. Connectez le fil NOIR d'alimentation du bâtiment au fil NOIR du récepteur.
- Connectez le fil neutre BLANC du récepteur au fil neutre BLANC du bâtiment.
 - Connectez le fil de terre du bâtiment en CUIVRE aux 4 fils de terre JAUNE/VERT du ventilateur et du récepteur.

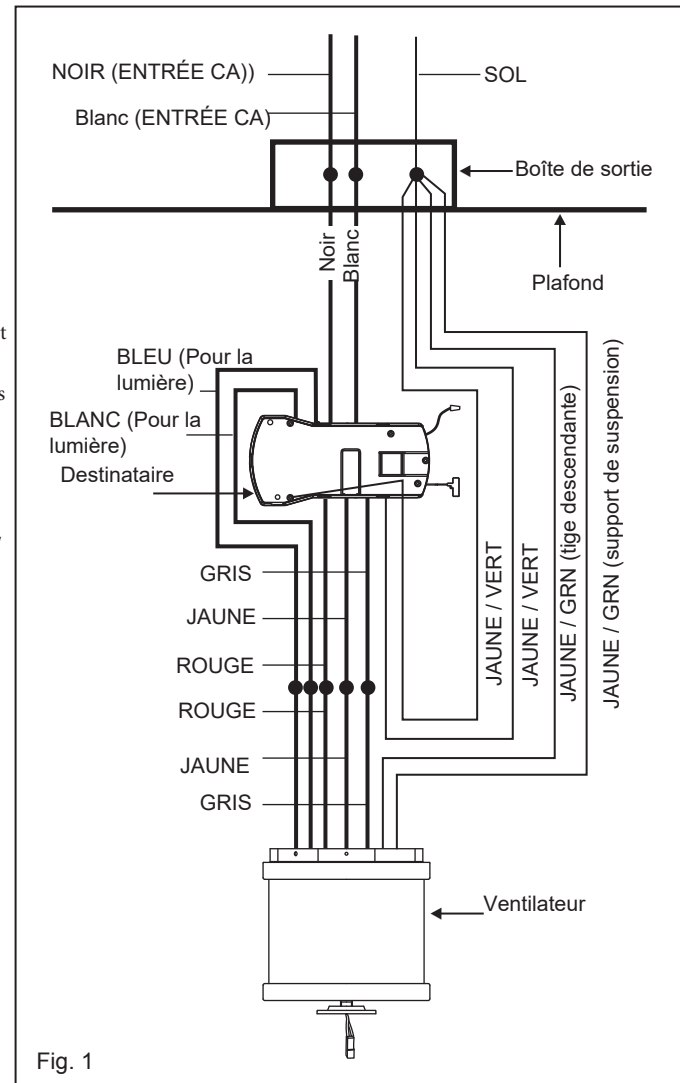
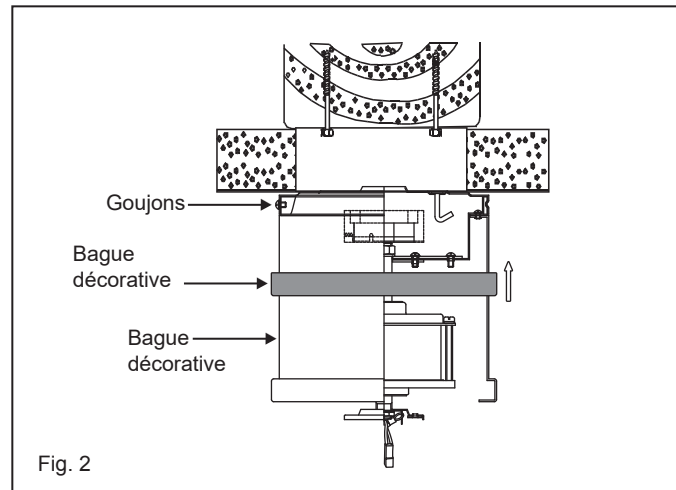
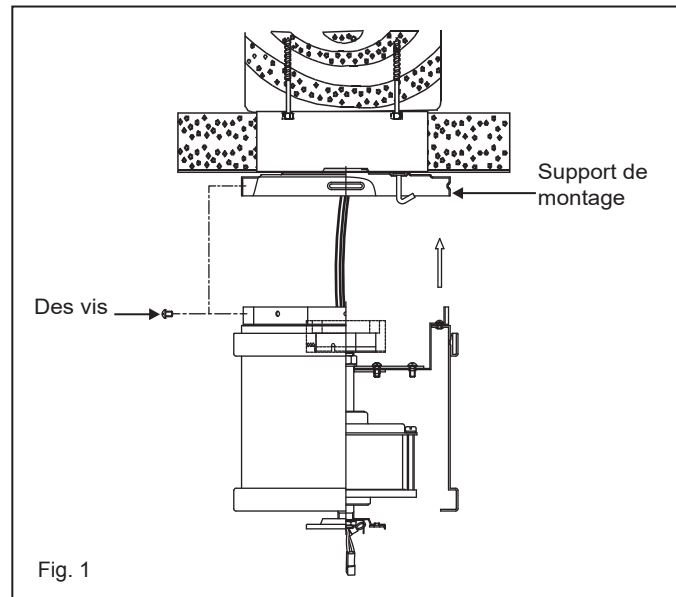


Fig. 1

FIN DE L'INSTALLATION

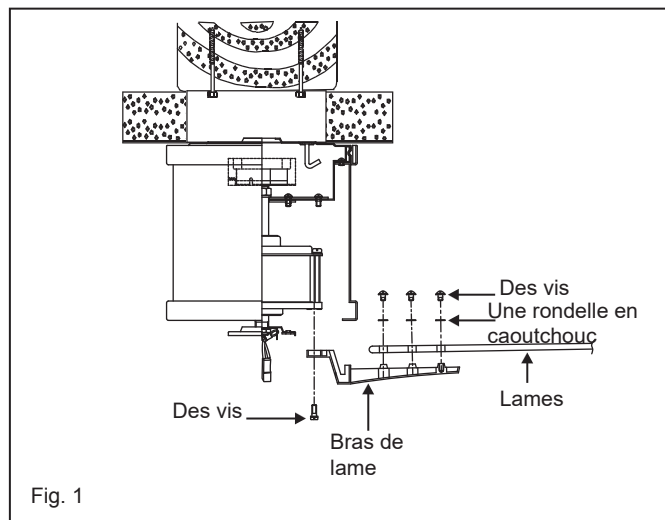
- 1 Déplacez le ventilateur en position sur le support de montage et fixez-le avec les 4 vis fournies. (Fig. 1)
- 2 Soulevez l'anneau décoratif et alignez les 4 fentes du moteur du ventilateur avec les 4 languettes de l'anneau décoratif. Une fois aligné, faites glisser l'anneau décoratif et fixez-le au sommet du moteur du ventilateur jusqu'à ce qu'il soit bien ajusté. (Fig. 2)



INSTALLATION DES LAMES

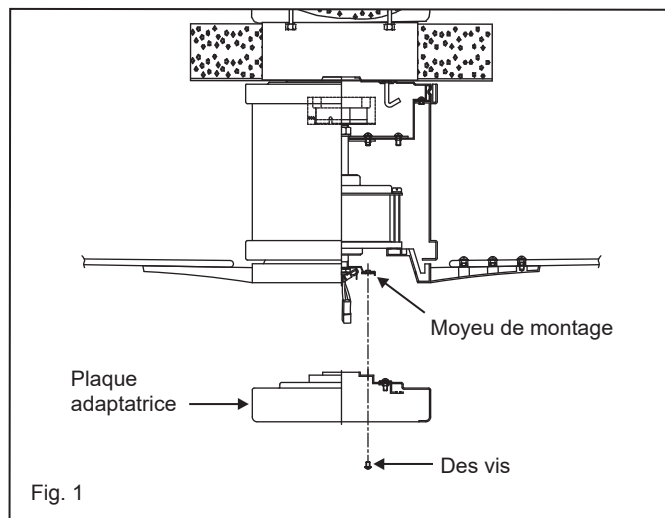
AVERTISSEMENT : pour réduire le risque de blessures corporelles, ne pliez pas les pales lors de l'installation, de l'équilibrage des pales ou du nettoyage du ventilateur.

- 1 Fixez la lame aux bras de la lame à l'aide des trois vis de fixation de la lame et des rondelles en caoutchouc. Insérez une vis de fixation de lame dans le bras de lame, mais ne serrez pas. Répétez l'opération pour les deux vis restantes.
- 2 Serrez fermement chaque vis en commençant par la vis centrale. Assurez-vous que la lame est droite. Répétez ces étapes pour les lames restantes.
- 3 Fixez la lame au moteur avec les vis de montage de lame fournies. Répétez la procédure pour les lames restantes. Assurez-vous que les vis sont **SERRÉES** ! Des vis de moteur desserrées peuvent contribuer à un bourdonnement inutile pendant le fonctionnement.



INSTALLATION DE LA PLAQUE ADAPTATEUR

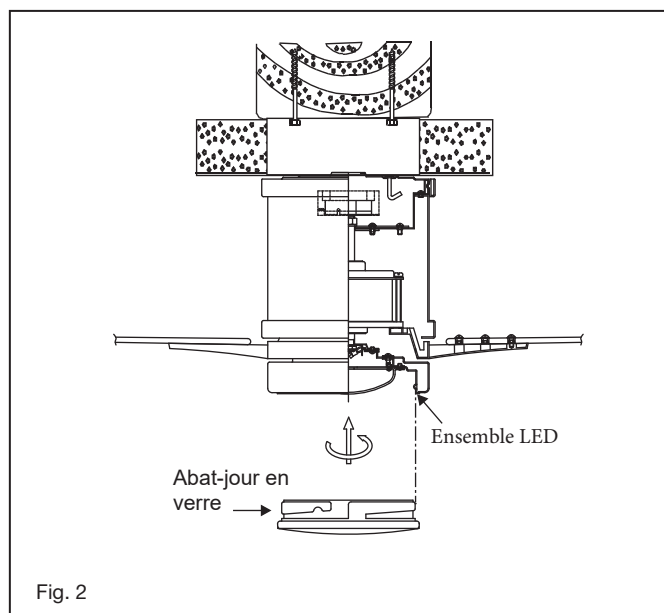
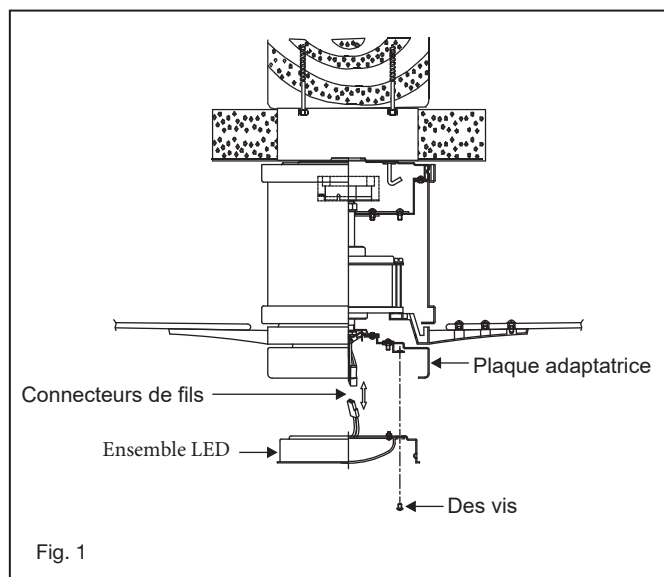
- 1 Retirez l'une des trois vis du moyeu de montage situé sur le moteur du ventilateur.
- 2 Desserrez les deux autres vis.
- 3 Installez la plaque adaptatrice sur le moyeu de montage.
- 4 Alignez les deux trous oblongs avec les deux vis desserrées sur le moyeu de montage situé sur le moteur du ventilateur.
- 5 Réinstallez la troisième vis retirée et serrez les trois.



INSTALLATION DE L'ENSEMBLE LED ET DU PARE-VERRE

AVERTISSEMENT : Avant de commencer l'installation, débranchez l'alimentation en éteignant le disjoncteur ou en retirant le fusible de la boîte à fusibles. Couper l'alimentation à l'aide de l'interrupteur du ventilateur n'est pas suffisant pour éviter un choc électrique.

- 1 Retirez l'une des 3 vis des montants du boîtier décoratif de l'ensemble LED et conservez-la pour une utilisation future. Desserrez les 2 autres vis. (Ne pas enlever)
- 2 Tout en maintenant l'ensemble LED sous votre ventilateur, effectuez les connexions des prises de polarisation : (Fig. 2)
 - Rouge à blanc
 - Noir à noir
- 3 Placez les trous de serrure sur l'ensemble LED sur les 2 vis précédemment desserrées, tournez la plaque lumineuse jusqu'à ce qu'elle se verrouille en place au niveau de la section étroite des trous de serrure. Fixez en serrant les 2 vis précédemment desserrées et celle précédemment retirée. (Fig. 1)
- 4 Soulevez l'abat-jour en verre contre la plaque adaptatrice et fixez-le au ventilateur en tournant l'abat-jour en verre dans le sens des aiguilles d'une montre jusqu'à ce qu'il soit bien ajusté. NE PAS TROP SERRER.
- 5 Rétablissez le courant et votre kit d'éclairage est prêt à fonctionner.



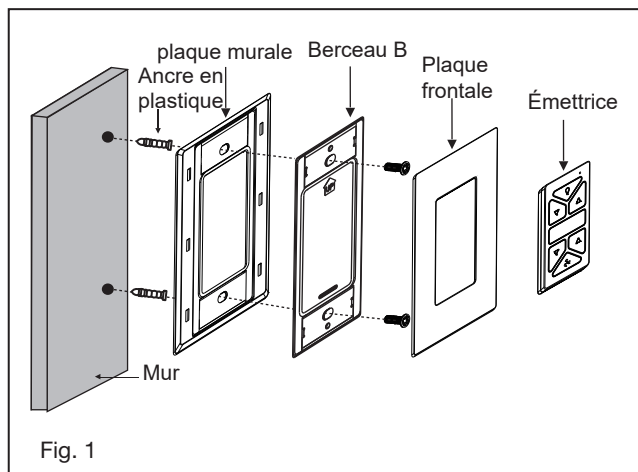
INSTALLATION DE LA COMMANDE MURALE

N'OUBLIEZ PAS de couper l'alimentation avant de commencer.

REMARQUE - Se fixe à n'importe quelle surface ou application : mur plat, boîte simple, boîte multi.

Option 1. Installation sur une surface plane

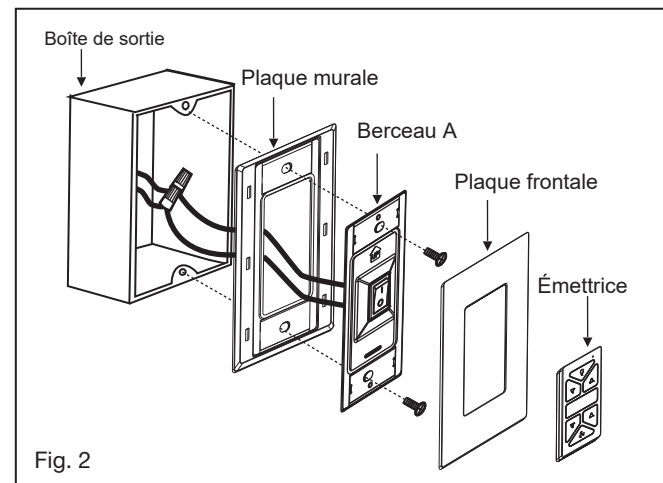
- 1 Sélectionnez un emplacement souhaité. Utilisez la plaque murale pour marquer l'emplacement des trous de montage. Des chevilles murales en plastique ou des vis de montage sont nécessaires pour cette application. (Fig. 1)
- 2 Placez le berceau B dans la plaque murale. Fixez la plaque murale au mur à l'aide de la quincaillerie fournie.
- 3 Enclenchez le couvercle de la plaque frontale sur le support mural.
- 4 L'émetteur à distance sera maintenu en place avec intégré



HIRO Système de contrôle HIRO

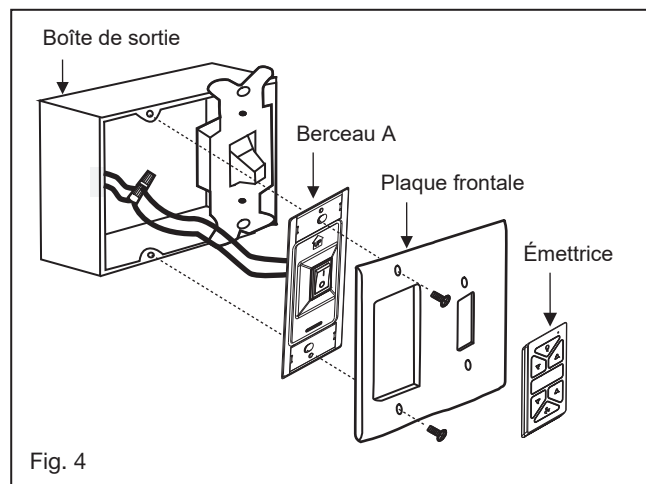
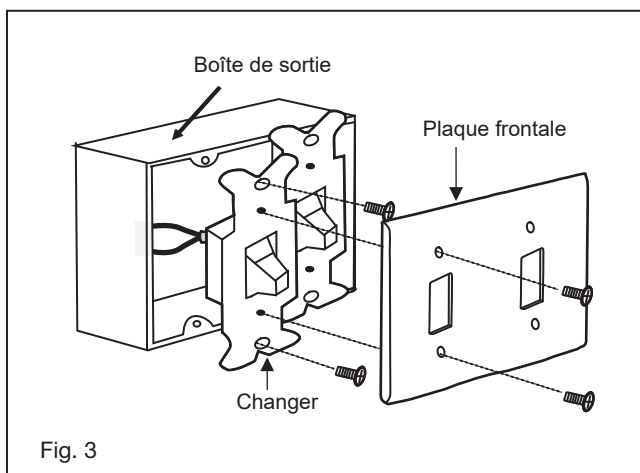
Option 2. Pour une seule boîte de gang

- 1 Retirez la plaque murale existante et l'ancien interrupteur de la boîte de prise murale.
- 2 Placez le berceau A dans la plaque murale. (Fig. 2)
- 3 Connectez les fils noirs du commutateur dans le berceau A aux fils noirs dans le boîtier de commutation. Fil d'entrée chaud vers l'un des fils du commutateur du berceau A. Le fil d'alimentation du ventilateur est connecté au fil de l'interrupteur restant.
- 4 Connectez l'ensemble plaque murale / berceau A à la boîte de sortie murale à l'aide du matériel fourni.
- 5 Enclenchez le couvercle de la plaque frontale sur le support mural.
- 6 L'émetteur à distance sera maintenu en place avec des aimants intégrés.



Option 3. Installation d'un boîtier d'interrupteur mural multi-groupes

- 1 Retirez la plaque murale existante et l'ancien interrupteur de la boîte de prise murale. (Fig. 3)
- 2 Connectez les fils noirs du commutateur dans le berceau A aux fils noirs dans le boîtier de commutation. Fil d'entrée chaud vers l'un des fils du commutateur du socle. Le fil d'alimentation du ventilateur est connecté au fil de l'interrupteur restant. (Fig. 4)
- 3 Fixez le berceau A au boîtier d'interrupteur mural à l'aide du matériel fourni.
- 4 Fixez la plaque frontale multi-gang à l'interrupteur situé dans la boîte de prise murale. Le berceau A de l'interrupteur Hinkley s'adaptera à n'importe quelle plaque frontale decora standard.
- 5 L'émetteur à distance sera maintenu en place avec des aimants intégrés



HIRO Système de contrôle HIRO

OPÉRATION

Votre moteur CC sans balais est équipé d'une télécommande de type à apprentissage automatique. Il n'y a pas de commutateurs de fréquence sur le récepteur ou l'émetteur. Le ventilateur peut commencer à être utilisé une fois le processus d'appairage terminé.

Retirez le panneau de l'émetteur, puis installez une pile 2032 (incluse). Vous devez utiliser une pièce de monnaie pour ouvrir ou fermer le couvercle de la batterie. Pour éviter d'endommager l'émetteur, retirez la batterie si vous ne l'utilisez pas pendant de longues périodes (Fig. 1)



AVERTISSEMENT : Risque de brûlure chimique. Gardez les piles hors de portée des enfants.

Ce produit contient une pile bouton/bouton au lithium. Si une pile bouton/bouton au lithium neuve ou usagée est avalée ou pénètre dans le corps, elle peut provoquer de graves brûlures internes et entraîner la mort en aussi peu que 2 heures. Sécurisez toujours complètement le compartiment à piles. Si le compartiment des piles ne se ferme pas correctement, arrêtez d'utiliser le produit, retirez les piles et tenez-le hors de portée des enfants. Si vous pensez que des piles ont pu être avalées ou placées à l'intérieur de n'importe quelle partie du corps, consultez immédiatement un médecin.

Les batteries doivent être éliminées correctement, notamment en les gardant hors de portée des enfants ; Même les cellules utilisées peuvent causer des blessures.

- 1 bouton:
Appuyez sur ce bouton et relâchez-le instantanément pour allumer ou éteindre la lumière.
- 2 bouton:
Appuyez et maintenez pour tamiser ou éclaircir les lumières au niveau souhaité et relâchez.
- 3 bouton: Appuyez sur le bouton pour allumer et régler la vitesse du ventilateur de 1 à 3.
- 4 bouton:
Appuyez sur ce bouton pour éteindre le ventilateur.
- 5 Feu de signalisation (Fig. 2)

Processus d'appariement

REMARQUE : si vous installez/jumelez plus d'un ventilateur dans une zone, l'alimentation doit être débranchée de tous les ventilateurs, à l'exception du ventilateur jumelé.

Le ventilateur étant hors tension, rétablissez l'alimentation du ventilateur. Appuyez et maintenez enfoncé le bouton " " pendant environ 5 secondes et relâchez. Si le kit d'éclairage en option est installé, le kit d'éclairage clignotera trois fois et le moteur tournera pendant 10 secondes à basse vitesse. Le ventilateur a terminé le processus d'appariement avec la commande murale et est prêt à l'emploi.

REMARQUE : Un seul ventilateur peut être contrôlé avec jusqu'à 3 commandes murales dans une pièce. Chaque commande devra répéter le processus d'appariement en fonction des instructions ci-dessus et toutes les commandes doivent se trouver à moins de 30 pieds du ventilateur.

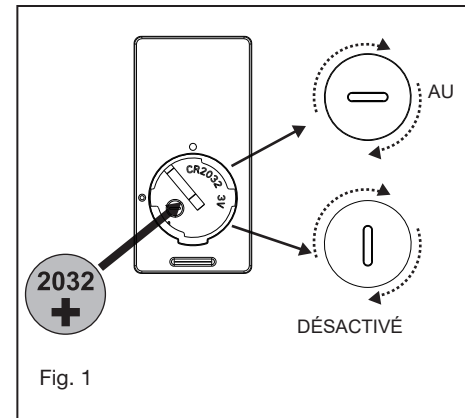


Fig. 1

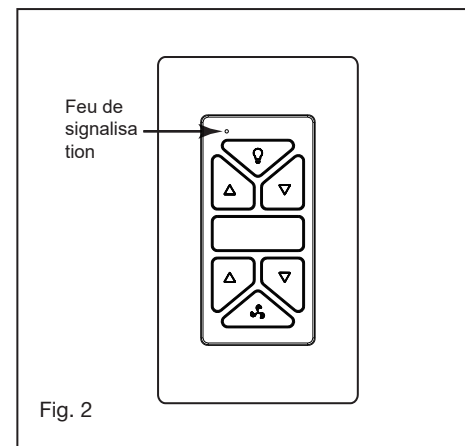
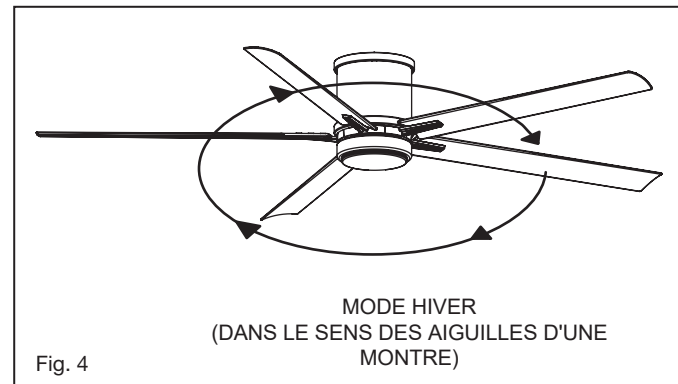
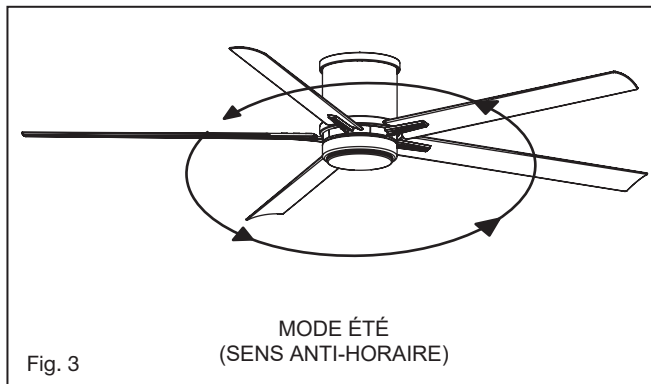


Fig. 2

HIRO Système de contrôle HIRO

Fonctionnement en mode été et en mode hiver

- 7 Mode été (avant) :
Un flux d'air VERS LE BAS crée un effet de refroidissement comme illustré à la Figure 3. Cela vous permet de régler votre climatiseur sur un réglage plus chaud sans affecter votre confort.
- 8 Mode hiver (inverse) :
Un flux d'air VERS LE HAUT déplace l'air plus chaud hors de la zone du plafond, comme illustré à la figure 4. Cela vous permet de régler votre unité de chauffage sur un réglage plus frais sans affecter votre confort.



ENTRETIEN ET NETTOYAGE

Périodiquement, il peut être nécessaire de resserrer les vis de la lame sur le bras de la lame ou du bras de la lame sur les vis du moteur pour éviter les cliquetis ou les bourdonnements pendant le fonctionnement. Cela est particulièrement vrai dans les climats avec de larges plages de température et d'humidité.

Lors de l'époussetage des lames, vous devez soutenir la lame pour éviter qu'elle ne se plie - aucune pression ne doit être appliquée sur les lames. Si vous rencontrez des défauts dans le fonctionnement de votre ventilateur, veuillez vérifier les points suivants.

DÉPANNAGE

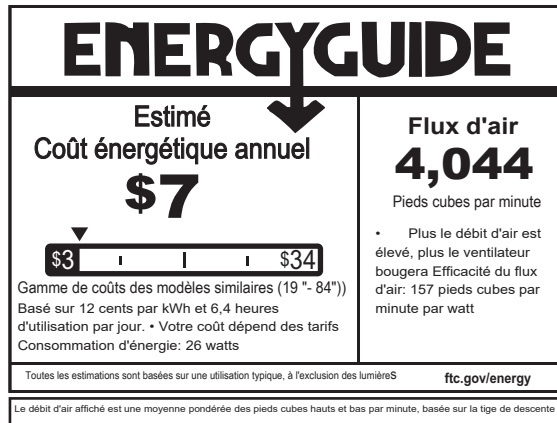
AVERTIR:

Coupez l'alimentation électrique avant d'effectuer l'une de ces vérifications

PROBLÈME	SOLUTION
LE VENTILATEUR NE DEMARRE PAS	<ol style="list-style-type: none">1. Vérifiez les fusibles ou les disjoncteurs du circuit.2. Vérifiez le voyant DEL de la commande murale. Si la LED ne s'allume pas lorsque vous appuyez sur un bouton, elle ne transmet pas de signal. Veuillez vérifier l'alimentation de la commande murale/du disjoncteur et de toutes les connexions électriques.3. Assurez-vous qu'il n'y a pas plus de 2 ventilateurs fonctionnant sur un circuit à travers la commande murale. Assurez-vous qu'il n'y a pas plus de 12 ventilateurs fonctionnant sur un circuit via un interrupteur mural marche/arrêt ou un disjoncteur (pas via une commande murale).4. Assurez-vous que le ventilateur est à portée du Wi-Fi (150 pi) ou de la commande murale (30 pi).
SONORITÉS DU VENTILATEUR bruyantes	<ol style="list-style-type: none">1. Prévoyez une période de « rodage » de 24 heures. La plupart des bruits associés à un nouveau ventilateur disparaîtront pendant ce temps.2. Assurez-vous que toutes les vis du boîtier du moteur sont solidement fixées.3. Assurez-vous que les vis qui fixent la pale du ventilateur au ventilateur sont bien serrées.4. Assurez-vous que votre boîtier de plafond est sécurisé et que des tampons isolants en caoutchouc sont utilisés entre le support de montage et le boîtier de sortie.
LE VENTILATEUR FONCTIONNE	<ol style="list-style-type: none">1. Vérifiez que toutes les vis de la lame et du bras de la lame sont bien fixées.2. Si l'oscillation de la lame est toujours perceptible, l'échange de deux lames adjacentes (côte à côte) peut redistribuer le poids et éventuellement améliorer le fonctionnement.3. Assurez-vous que toutes les tiges de fixation de la quincaillerie du moteur et/ou de la boule de suspension sont bien serrées.4. Assurez-vous que la boîte de plafond est sécurisée.

GUIDE ÉNERGÉTIQUE

PERFORMANCE MOYENNE ET INFORMATIONS ÉNERGÉTIQUES



CARACTÉRISTIQUES

ESPECIFICACIONES DE RENDIMIENTO	ESTÁNDAR	
	ALTA VELOCIDAD	BAJA VELOCIDAD
Flujo de aire (CFM)	6264	1527
Energía usada (vations)	36.3	3.1
Eficiencia de flujo de aire (CFM/W)	0	0
Costos de energía (anual)	\$7	\$1
Amplificadores	0.48	0.06
RPMs	161	43

INTELLIGENT PAR LIEN

OPTIONS DE VENTILATEUR INTELLIGENT HINKLEY :

En plus de la commande murale incluse, vous pouvez contrôler votre ventilateur Hinkley via l'application Bond.

- Pour utiliser l'application, téléchargez-la gratuitement depuis l'App Store ou Google Play.
- Ouvrez l'application pour créer votre compte. Vous pouvez également vous connecter avec votre compte Facebook ou Google.
- Ensuite, configurez une connexion WiFi. Vous aurez besoin du SSID et du mot de passe WiFi du réseau auquel vous souhaitez vous connecter.
- Vous recevrez une invite pour choisir la finition de votre ventilateur et nommer votre dispositif de ventilateur.
- L'application vous guidera à travers l'écran principal et vous montrera comment modifier la vitesse des ventilateurs, tamiser la lumière, régler les minuteries ou utiliser le mode brise.

REMARQUE : Un maximum de 2 ventilateurs peut fonctionner sur un circuit via la commande murale. Un maximum de 12 ventilateurs peut fonctionner sur un circuit via un interrupteur marche/arrêt ou un disjoncteur lors de l'utilisation de l'application pour le contrôle du ventilateur (sans la commande murale dans le circuit).
Comment corriger « Fan jumelé à un mauvais émetteur » sur les ventilateurs Smart by Bond prenant en charge plusieurs émetteurs :

• Méthode de téléphone intelligent (recommandée)

- Ouvrez l'application Bond Home.
- Tapez sur le ventilateur que vous souhaitez modifier.
- Appuyez sur l'icône des paramètres dans le coin supérieur droit.
- Faites défiler vers le bas et appuyez sur « Gérer les télécommandes ».
- Supprimez uniquement les télécommandes en question ; ou utilisez le menu à trois points et sélectionnez « Oublier toutes les télécommandes ».
- Appuyez sur "Apprendre une nouvelle télécommande".
- Suivez les invites à l'écran pour (ré)apprendre les télécommandes souhaitées dans le ventilateur.

• Méthode de réinitialisation d'usine

- Coupez l'alimentation secteur de tous les ventilateurs.
- Allumez l'alimentation secteur uniquement pour le ventilateur nécessitant une correction de code.
- Dans les 15 secondes suivant la mise sous tension, maintenez enfoncé le bouton Speed 1 de n'importe quel émetteur compatible pendant 20 secondes.
- Le voyant du ventilateur doit clignoter 5 fois et peut tourner à basse vitesse pendant 10 secondes.

e) Attendez 10 secondes.

f) Maintenez enfoncé le bouton d'alimentation de l'émetteur que vous souhaitez coupler. Le voyant du ventilateur doit clignoter trois fois et le moteur doit tourner pendant 10 secondes à basse vitesse.

g) Si vous utilisez le ventilateur en Wi-Fi, vous devrez vous reconnecter au Wi-Fi.

• Méthode de la force brute

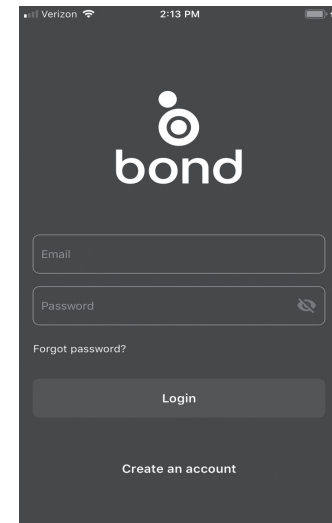
a) Coupez l'alimentation secteur du ventilateur.

b) Remettez l'alimentation secteur sur le ventilateur.

c) Maintenez enfoncé le bouton d'alimentation de l'émetteur pendant 5 secondes, jusqu'à ce que le voyant du ventilateur clignote 3 fois.

d) Répétez les étapes a à c ci-dessus 4 fois de plus.

e) La mémoire du ventilateur est maintenant totalement écrasée et il a oublié toutes les autres télécommandes.



<https://bondhome.io/app>

HINKLEY EST FIÈRE DE VOUS FOURNIR DES PRODUITS DE VENTILATEUR DE PLAFOND QUI AMÉLIORENT VOTRE ESPACE AVEC CONFORT, OBJECTIF ET STYLE. EN TANT QU'ENTREPRISE FAMILIALE, NOUS NOUS ENGAGEONS À CONCEVOIR, PERFORMANCE ET QUALITÉ, ET CE QUI EST IMPORTANT POUR VOUS EST PARAMOUNT POUR NOUS.

POUR UN ASSORTIMENT COMPLET DE NOS PRODUITS ET LIVRES DE SOURCE, VISITEZ [HINKLEY.COM](https://www.hinkley.com).

HINKLEY

GLOBAL HEADQUARTERS

33000 Pin Oak Parkway | Avon Lake, Ohio 44012

T (440) 653 5500 | F (440) 653 5555 | hinkley.com