

STINSON

3539DA

SIX LIGHT LINEAR

For a classic statement-maker, Stinson hits the mark. A robust open and airy cage, designed for maximum impact in a Distressed Brass or Black and Polished Nickel finish, is accompanied by refined sparkling crystal accents to create the perfect mix of traditional appeal and industrial panache.

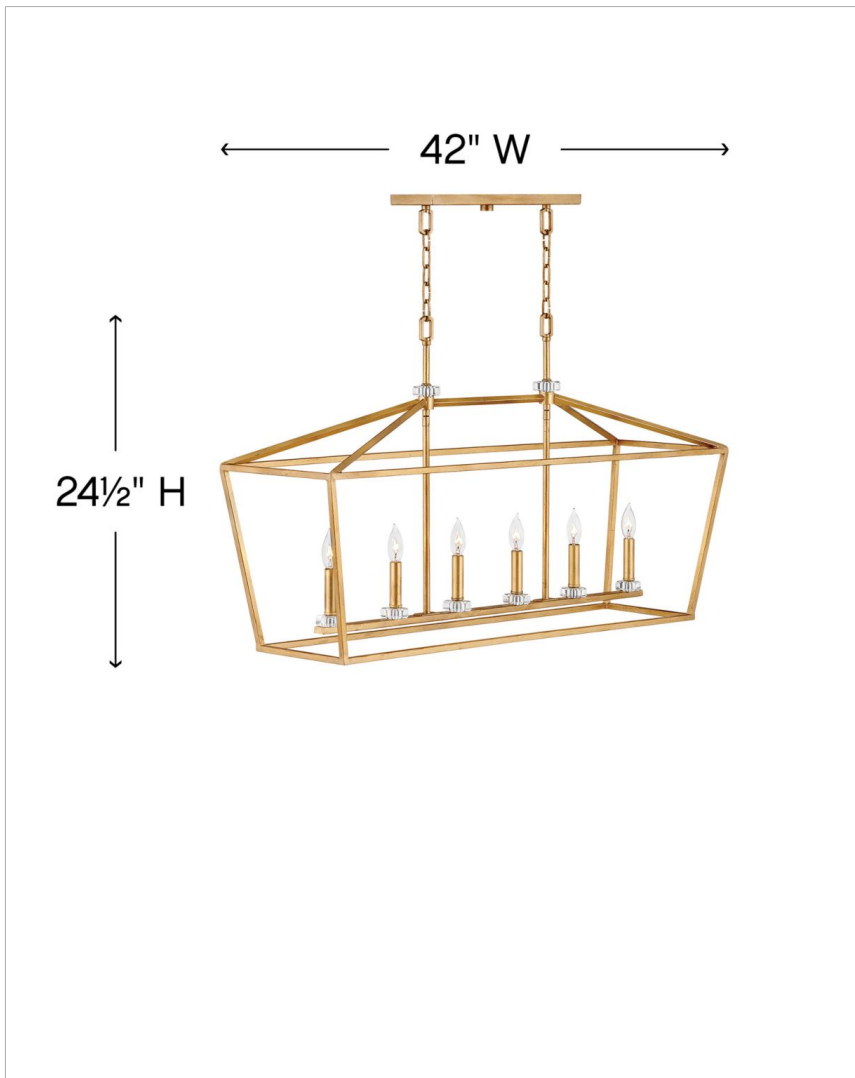
DETAILS	
FINISH:	Distressed Brass
MATERIAL:	Steel

DIMENSIONS	
WIDTH:	42"
HEIGHT:	24.5"
DEPTH:	12"
WEIGHT:	14.7 lbs.
TOP TO OUTLET:	0"

LIGHT SOURCE	
LIGHT SOURCE:	Socket
WATTAGE:	6-60w Cand.
VOLTAGE:	120v

MOUNTING	
CANOPY:	4.5"W X 15.75"L
LEAD WIRE:	1 X 120"

SHIPPING	
CARTON LENGTH:	44.5"
CARTON WIDTH:	14.3"
CARTON HEIGHT:	22.3"
CARTON WEIGHT:	21.6 lbs.



PRODUCT DETAILS:

- Suitable for use in dry (indoor) locations as defined by NEC and CEC. Meets United States UL Underwriters Laboratories & CSA Canadian Standards Association Product Safety Standards
- Merging the best of traditional and modern elements, with a sophisticated and streamlined silhouette perfect for any space
- Classic gleaming light brass finish
- Please refer to Hinkley's Warranty for complete product warranty details; some warranty limitations may apply.

HINKLEY

HINKLEY
33000 Pin Oak Parkway
Avon Lake, OH 44012

PHONE: (440) 653-5500
Toll Free: 1 (800) 446-5539

hinkley.com