

# SATURN

## 1901MT

### LARGE POST TOP OR PIER MOUNT LANTERN

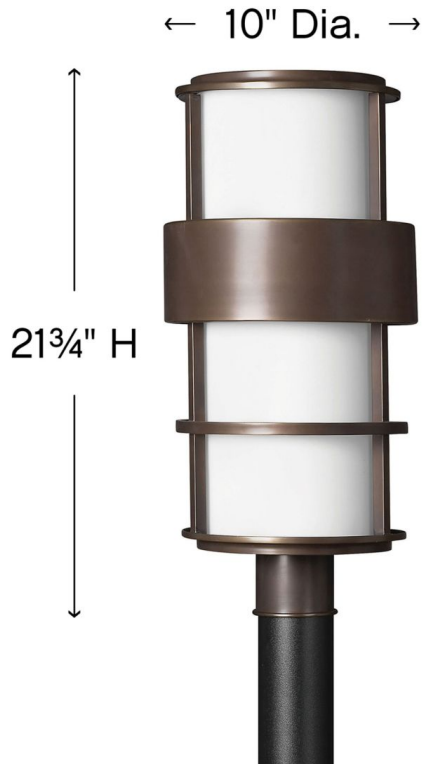
Saturn is a stunning, modern design offering robust construction and intersecting lines that create a striking contrast against the clear seeded glass.

DETAILS	
FINISH:	Metro Bronze
MATERIAL:	Solid Brass
GLASS:	Etched Opal

DIMENSIONS	
WIDTH:	10"
HEIGHT:	21.8"
WEIGHT:	10 lbs.
TOP TO OUTLET:	0"

LIGHT SOURCE	
LIGHT SOURCE:	Socket
WATTAGE:	1-100w Med.
VOLTAGE:	120v

SHIPPING	
CARTON LENGTH:	11.8"
CARTON WIDTH:	11.8"
CARTON HEIGHT:	23.8"
CARTON WEIGHT:	14 lbs.



#### PRODUCT DETAILS:

- Suitable for use in wet (interior direct splash and outdoor direct rain or sprinkler) locations as defined by NEC and CEC. Meets United States UL Underwriters Laboratories & CSA Canadian Standards Association Product Safety Standards
- 2 year finish warranty
- Bold lines and a clean, minimalist style complement contemporary architecture
- Bold and robust dark bronze finish
- Please refer to Hinkley's Warranty for complete product warranty details; some warranty limitations may apply.

# HINKLEY

HINKLEY  
33000 Pin Oak Parkway  
Avon Lake, OH 44012

PHONE: (440) 653-5500  
Toll Free: 1 (800) 446-5539

[hinkley.com](http://hinkley.com)