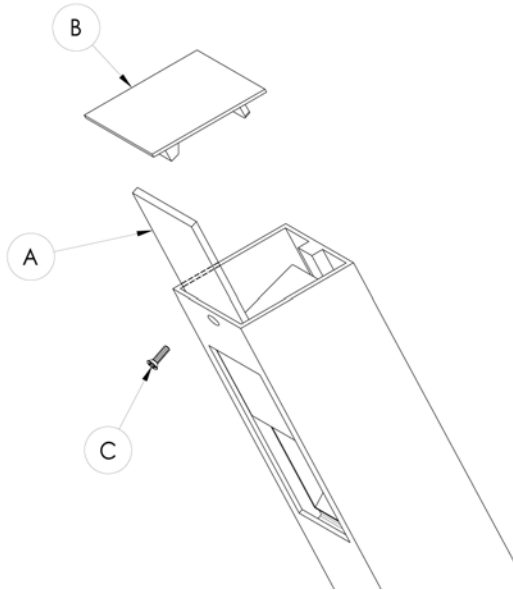


I.S. Installation Instructions

Family: 12v Path Light | Item No. 1548BZ-LED, 1548HE-LED, 1548TT-LED



Drawing #1 Luminaire Assembly



Save these instructions for future reference.

Tools required for installation:

Wire Strippers, Philips head screwdriver, Silicone grease or thread sealer.

WARNING: Luminaire must be installed in accordance with the National Electrical Code (NEC) and local codes. Failure to do so may result in serious personal injury and / or damage to the luminaire.

Always use ETL / UL listed wire connectors for outdoor applications.

LUMINAIRE ASSEMBLY:

1. Unpack luminaire and **Glass Lens (A)**.
2. Remove **Door (B)** using Philips head screw driver. Place **Screw (C)** aside for reassembly.
3. Slide glass lens into fixture and replace door and screw to secure in place.
4. Proceed to mounting instructions below.

LUMINAIRE MOUNTING:

1. To prevent electrical shock, turnoff transformer or disconnect from electrical supply before installation or servicing.
2. Run wire from Luminaire through the mounting hole in the in the top of the **Ground Spike (D)**.
3. Attach the luminaire to the ground spike by threading into the top.
4. Place the spike in the desired position and insert into the ground until the flange at the top of the spike is flush with the ground.
5. Strip the two lead wires from the luminaire and connect them to the main power supply in accordance with the power supply instructions.
6. Two wire nuts and silicone glue has been provided to assist in connecting.

INSTRUCTIONS PERTAINING TO A RISK OF FIRE, OR INJURY TO PERSONS, IMPORTANT SAFETY INSTRUCTIONS.

Lighted LED is HOT!

WARNING – To reduce the risk of FIRE OR INJURY TO PERSONS:

- Turn off / unplug and allow cooling before servicing luminaire.
- LED gets hot quickly! Contact only switch / plug when turning on.
- Do not touch hot lens, guard or enclosure.
- Keep away from materials that may burn.
- Do not touch the LED at any time, use a soft cloth.
- Do not operate the luminaire fitting with a missing or damaged shield.
- Luminaires shall not be installed within 10 feet (3m) of pool, spa or fountain.

Drawing #2 Mounting Detail

