

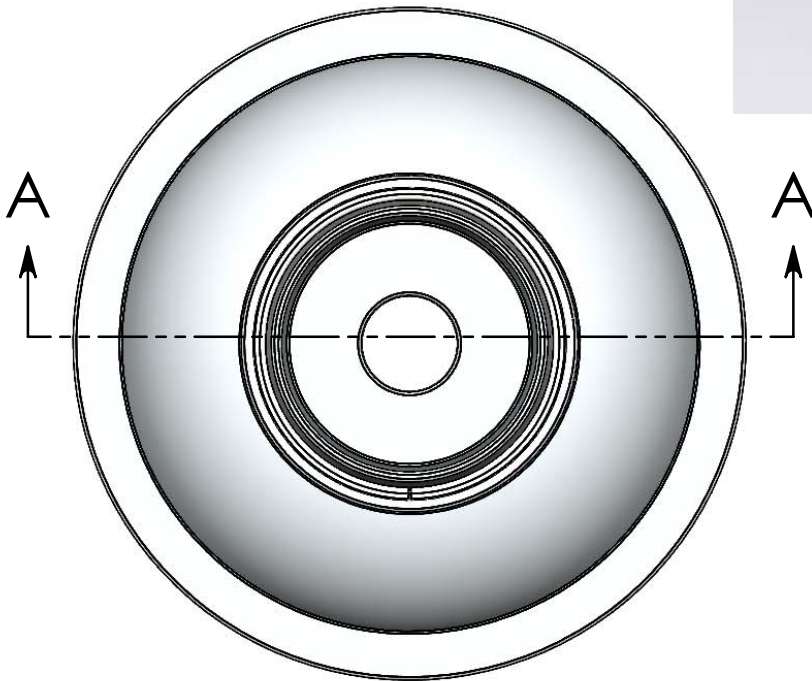
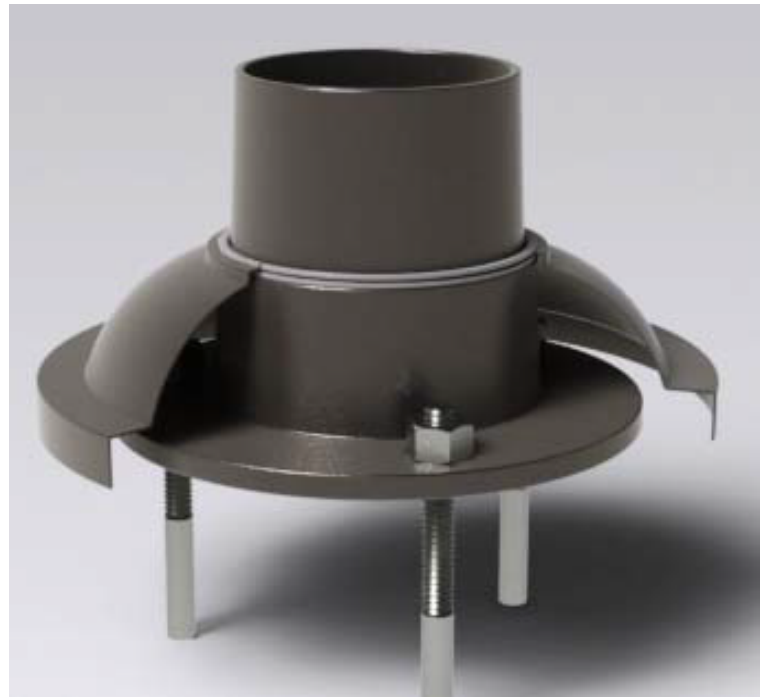
# HINKLEY

L I G H T I N G

## NOTE:

MOUNTING BOLTS PICTURED ARE NOT SUPPLIED. CUSTOMER TO USE APPROPRIATE ANCHORING DEVICE, FOR MATERIAL PIER MOUNT WILL BE INSTALLED ON.

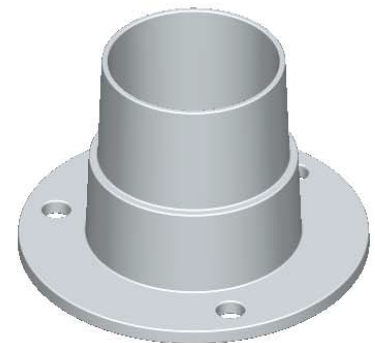
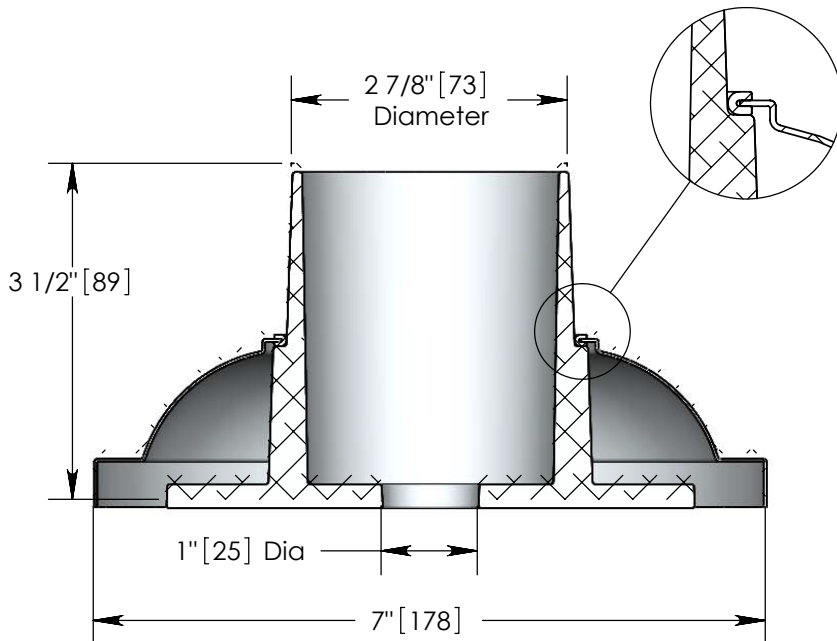
## 1304 two-piece Pier Mount



Silicone Lens Chanel  
(fits around cover for tension fit)



Spun Aluminum Bolt cover  
(finish to match Flange base)



Cast Aluminum Flange Base  
(fits standard 3" diameter Post Cup)