



# HOVER

**900752FWK-LWD**

HOVER 52" LED FAN

DETAILS	
FAN FINISH:	Matte White With Koa Blades
GLASS:	Etched Opal
BLADE COUNT:	3
SLOPE DEGREE:	23

DIMENSIONS	
WIDTH:	52"
HEIGHT:	17.3"
TOP TO OUTLET:	0"

LIGHT SOURCE	
VOLTAGE:	120v

MOUNTING	
CANOPY:	6" Dia.
LEAD WIRE:	1 X 76"

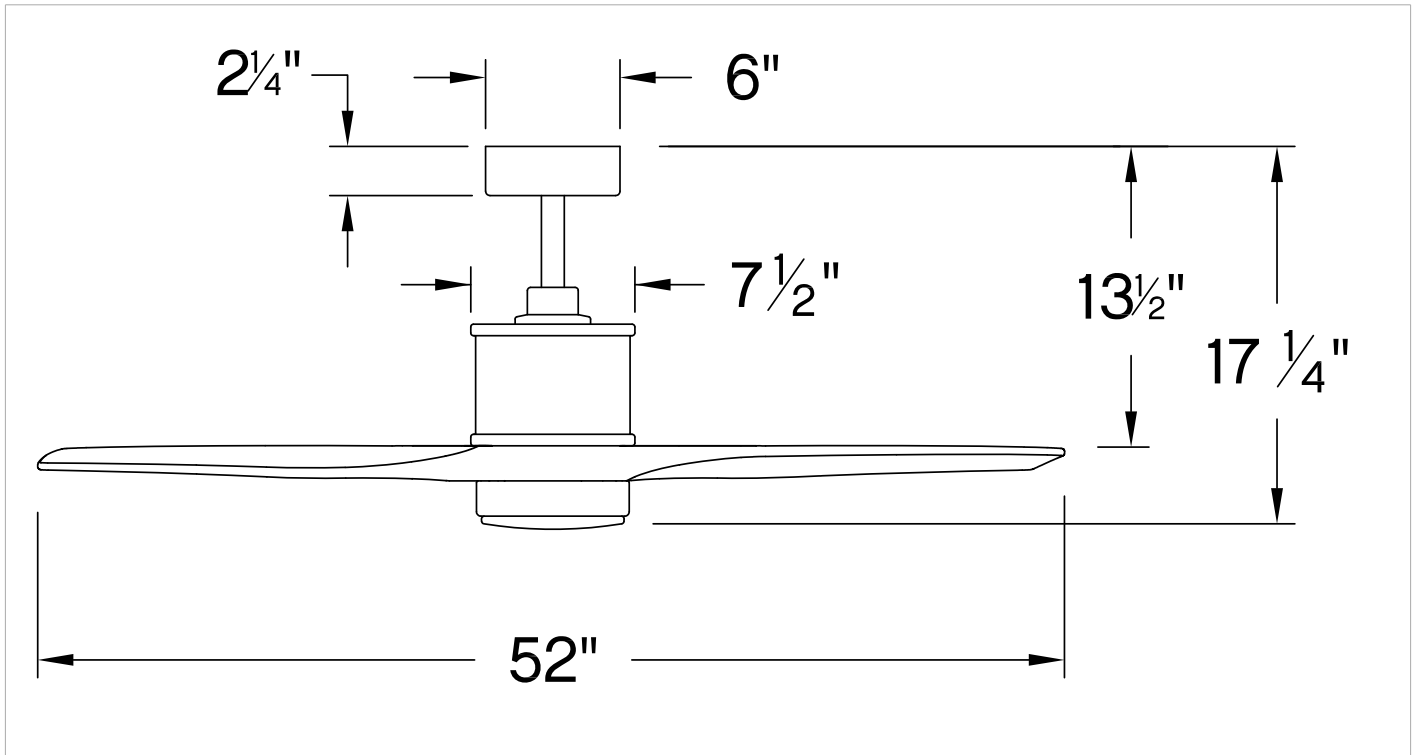
Clean and sleek, Hover is a stunning modern upgrade for any project. Available in Brushed Nickel, Graphite, Matte White or Matte Black, Hover comes equipped with integrated LED lighting and DC motor technology to deliver excellent energy efficiency. Hover is so versatile; it can be used for both indoor and outdoor spaces.

## PRODUCT DETAILS:

- This item includes a 6" down rod. Other various lengths of down rods are available and sold separately to customize the installation height.
- Suitable for use in wet (interior direct splash and outdoor direct rain or sprinkler) locations as defined by NEC and CEC. Meets United States UL Underwriters Laboratories.
- Meets California Energy Commission 2013 & 2016 Title regulations/JA8
- This item may be hung on a sloped ceiling
- Powered by a highly efficient and quiet DC motor
- Fan Control included, HIRO Control - 6 Speed Reversing
- LED components carry a 5-year limited warranty
- Motor carries a lifetime warranty

# HOVER 52" LED FAN

900752FWK-LWD



PERFORMANCE SPECIFICATIONS	STANDARD	
	HIGH SPEED	AVERAGE SPEED
Airflow	5753	3713
EnergyUse	18.3	12
EnergyCost	5	3
Efficiency	314	311
AMPS	0.28	0.17
RPMS	169	108