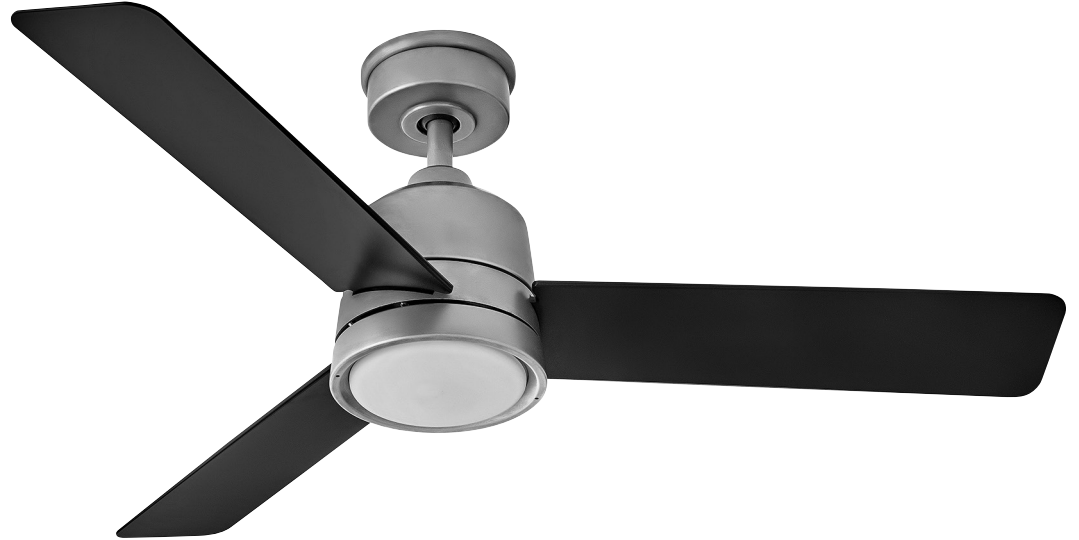


HINKLEY

48" CHET™

INDOOR / OUTDOOR LED FAN



WET



AC MOTOR



LED



CEILING FAN INSTRUCTION MANUAL

WE WANT YOU TO LOVE YOUR NEW FAN

SO WE'RE HERE IF YOU HAVE A QUESTION, NEED SOME HELP OR WANT TO CHAT ABOUT OUR PRODUCTS, SEND SUGGESTIONS OUR WAY TOO - WE'RE ALWAYS LOOKING TO MAKE YOUR EXPERIENCE WITH HINKLEY A POSITIVE ONE.

> SERVICE@HINKLEY.COM

> [800.HINKLEY](tel:800.HINKLEY)

> [LET'S SEE THAT HINKLEY STYLE @HINKLEY](#)

[#HINKLEYSTYLE](#)

This manual contains complete instructions for the installation and operation of this fan. It has been designed to make the installation process as easy as possible. If you are unfamiliar or uncomfortable with wiring, please contact a qualified electrician. If you need additional assistance or have any questions, please reach out to us.

For warranty information, visit hinkley.com.

TABLE OF CONTENTS

02	GENERAL INSTALLATION & OPERATING INSTRUCTIONS	10	INSTALLING THE LIGHT KIT PAN
03	IMPORTANT SAFETY PRECAUTIONS	11	INSTALLING THE LED ASSEMBLY AND GLASS SHADE
03	TOOLS & MATERIALS REQUIRED	12	INSTALLING THE WALL CONTROL
04	UNPACKING YOUR FAN	14	OPERATION
05	PREPARATION	16	CARE AND CLEANING
05	INSTALLING THE HANGING BRACKET	16	TROUBLESHOOTING
06	HANGING THE FAN	17	ENERGY GUIDE
08	ELECTRICAL CONNECTIONS	17	SPECIFICATIONS
09	FINISHING THE INSTALLATION	18	HINKLEY APP/WIFI
10	INSTALLING THE BLADES		

WARNING:

Read and follow these instructions carefully and be mindful of all warnings shown throughout.

GENERAL INSTALLATION & OPERATION INSTRUCTIONS

- 1 To ensure the success of the installation, be sure to read the instructions and review the diagrams thoroughly before beginning.
- 2 To avoid possible electric shock, be sure electricity is turned off at the main power box before wiring. All electrical connections must be made in accordance with local codes, ordinances and/or the National Electric Code. If you are unfamiliar with the methods of installing electrical wiring and products, secure the services of a qualified and licensed electrician as well as someone who can check the strength of the supportive ceiling members and make the proper installation(s) and connections.
- 3 **WARNING:** To reduce the risk of fire, electric shock, or other personal injury, mount fan only on an outlet box or supporting system marked acceptable for fan support of 35 lbs (15.9 kg) or less and use mounting screws provided with the outlet box. Most outlet boxes commonly used for the support of lighting fixtures are not acceptable for fan support and may need to be replaced. Consult a qualified electrician if in doubt.
- 4 Make sure that your installation site will not allow rotating fan blades to come in contact with any object. Blades should be at least 7 feet from floor.
- 5 Blades should be attached after motor housing is hung and in place. Fan motor housing should be kept in the carton until ready to be installed to protect its finish. If you are installing more than one ceiling fan, make sure that you do not mix fan blade sets, as each blade is part of a weighted set.
- 6 After making electrical connections, spliced conductors should be turned upward and pushed carefully up into outlet box. The wires should be spread apart with the common conductor and the grounding conductor on one side of the outlet box, and the "HOT" wires on the other side.
- 7 Electrical diagrams are for reference only. Light kits that are not packed with the fan must be UL listed and should be installed per the light kit's installation instructions.
- 8 After fan is completely installed, check to make sure that all connections are secure to prevent fan from falling and/or causing damage or injury.
- 9 The fan can be made to work immediately after installation - the bearings are adequately charged with grease so that, under normal conditions, further lubrication should not be necessary for the life of the fan.
- 10 **CAUTION:** Do not ingest battery - Chemical burn hazard. Keep new and used batteries away from children.
- 11 The remote control supplied with a coin/button cell battery. If the coin/button cell battery is swallowed, it can cause severe internal burns in just 2 hours and can lead to death.
- 12 If the battery compartment does not close securely, stop using the product and keep it away from children.
- 13 If you think batteries might have been swallowed or placed inside any part of the body, seek immediate medical attention.
- 14 **WARNING:** To reduce the risk of fire or electric shock, this fan should only be used with fan speed control part no. MR161C manufactured by Chungear Industrial Co., Ltd.
- 15 Note: Suitable for use in wet locations.

IMPORTANT SAFETY PRECAUTIONS

WARNINGS:

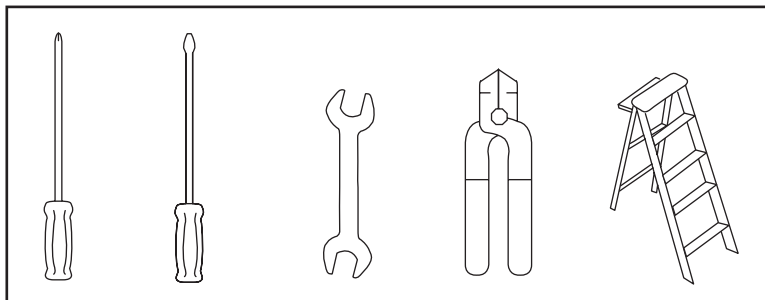
- Disconnect power by removing fuse or turning off circuit breaker before installing the fan and/or optional lighting.
- Support directly from building structure.
- To reduce the risk of fire, electric shock, or personal injury, mount to outlet box marked “acceptable for fan support” and use mounting screws provided with the outlet box. Most outlet boxes commonly used for the support of lighting fixtures are not acceptable for fan support and may need to be replaced. Consult a qualified electrician if in doubt.
- Do not use an incandescent light dimmer. Do not use this fan with any transformer type fan speed control device.
- To reduce the risk of personal injury, do not bend the blade arms when installing them, balancing the blades or cleaning the fan. Do not insert any objects(s) between rotating fan blades.

NOTE:

The important precautions, safeguards and instructions appearing in this manual are not meant to cover all possible conditions and situations that may occur. It must be understood that common sense, caution and carefulness are factors which cannot be built into this product. These factors must be supplied by the person(s) installing, caring for and operating the unit.

TOOLS & MATERIALS REQUIRED

- PHILLIPS SCREWDRIVER
- FLAT SCREWDRIVER
- WRENCH OR PLIERS
- WIRE CUTTERS
- STEP LADDER
- WIRING SUPPLIES AS REQUIRED BY ELECTRICAL CODE



UNPACKING YOUR FAN

UNPACK YOUR FAN AND CHECK THE CONTENTS.

- Do not discard the carton. If warranty replacement or repair is ever necessary, the fan should be returned in original packing. Remove all parts and hardware. Do not lay motor housing on its side, or the decorative housing may shift, be bent or damaged.
- Examine all parts. You should have the following:

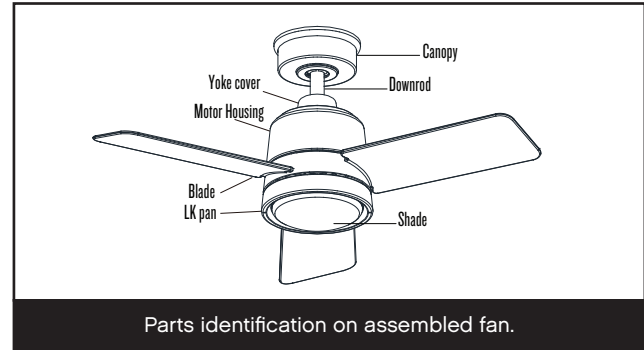
	<table border="1"> <thead> <tr> <th colspan="3">PACKAGE CONTENTS</th> </tr> </thead> <tbody> <tr> <td>1</td> <td>Hanging Bracket</td> <td rowspan="3">CA904566FXX</td> </tr> <tr> <td>2</td> <td>Ceiling Canopy</td> </tr> <tr> <td>3</td> <td>Trim Ring</td> </tr> <tr> <td>4</td> <td>Downrod Assembly</td> <td>DRK94014FXX</td> </tr> <tr> <td>5</td> <td>Yoke Cover</td> <td>YC905236FXX</td> </tr> <tr> <td>6</td> <td>Fan Housing with Motor</td> <td></td> </tr> <tr> <td>7</td> <td>Blade Set of 3</td> <td>BL905248FXX</td> </tr> <tr> <td>8</td> <td>LK Pan</td> <td>AP905236FXX</td> </tr> <tr> <td>9</td> <td>16W LED Assembly</td> <td>E905236LED</td> </tr> <tr> <td>10</td> <td>Shade Assembly</td> <td>GL905236FR</td> </tr> <tr> <td>11</td> <td>Receiver Incl. Wire Nuts</td> <td>CN905248</td> </tr> <tr> <td>12</td> <td>Wall Control w/2032 Battery, Cradle A, Wall Pate, Face Plate, Mounting Screws, Cradle B (for flat wall use only)</td> <td>980014FWH</td> </tr> <tr> <td rowspan="2">13</td> <td colspan="2">Hardware Bag</td> </tr> <tr> <td>Hanging bracket hardware, Safety cable hardware, Blade screws, Blade balancing kit</td> <td>MH905236</td> </tr> </tbody> </table>	PACKAGE CONTENTS			1	Hanging Bracket	CA904566FXX	2	Ceiling Canopy	3	Trim Ring	4	Downrod Assembly	DRK94014FXX	5	Yoke Cover	YC905236FXX	6	Fan Housing with Motor		7	Blade Set of 3	BL905248FXX	8	LK Pan	AP905236FXX	9	16W LED Assembly	E905236LED	10	Shade Assembly	GL905236FR	11	Receiver Incl. Wire Nuts	CN905248	12	Wall Control w/2032 Battery, Cradle A, Wall Pate, Face Plate, Mounting Screws, Cradle B (for flat wall use only)	980014FWH	13	Hardware Bag		Hanging bracket hardware, Safety cable hardware, Blade screws, Blade balancing kit	MH905236
PACKAGE CONTENTS																																											
1	Hanging Bracket	CA904566FXX																																									
2	Ceiling Canopy																																										
3	Trim Ring																																										
4	Downrod Assembly	DRK94014FXX																																									
5	Yoke Cover	YC905236FXX																																									
6	Fan Housing with Motor																																										
7	Blade Set of 3	BL905248FXX																																									
8	LK Pan	AP905236FXX																																									
9	16W LED Assembly	E905236LED																																									
10	Shade Assembly	GL905236FR																																									
11	Receiver Incl. Wire Nuts	CN905248																																									
12	Wall Control w/2032 Battery, Cradle A, Wall Pate, Face Plate, Mounting Screws, Cradle B (for flat wall use only)	980014FWH																																									
13	Hardware Bag																																										
	Hanging bracket hardware, Safety cable hardware, Blade screws, Blade balancing kit	MH905236																																									
<p>NOTE: Design of parts shown above may look slightly different for your specific model of fan</p>	<p>xx=FAN FINISH</p>																																										

PREPARATION

PREPARATION:

Verify you have all parts before beginning the installation. Check pulp paper insert closely for missing parts. Remove motor from packing. To avoid damage to finish, assemble motor on soft padded surface or use the original pulp paper insert in motor box.

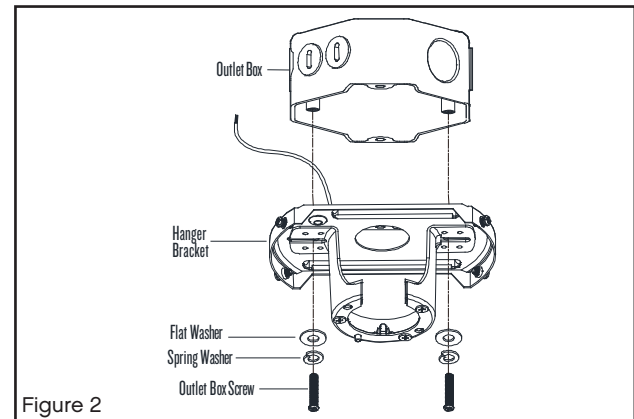
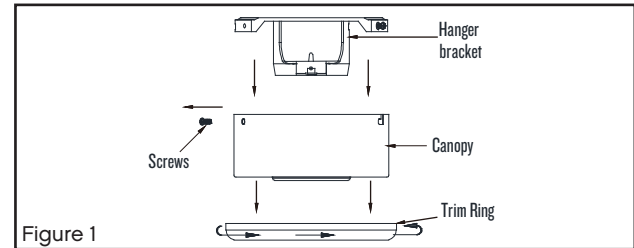
DO NOT LAY MOTOR HOUSING ON ITS SIDE AS THIS COULD RESULT IN SHIFTING OF MOTOR IN DECORATIVE ENCLOSURE.



INSTALLING THE HANGING BRACKET

CAUTION: To avoid possible electrical shock, be sure electricity is turned off at the main power box before wiring. All wiring must be in accordance with National and Local Electrical Codes and the ceiling fan must be grounded as a precaution against possible electric shock.

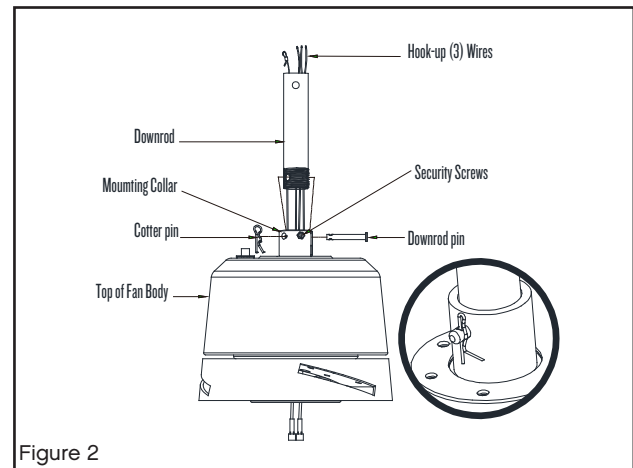
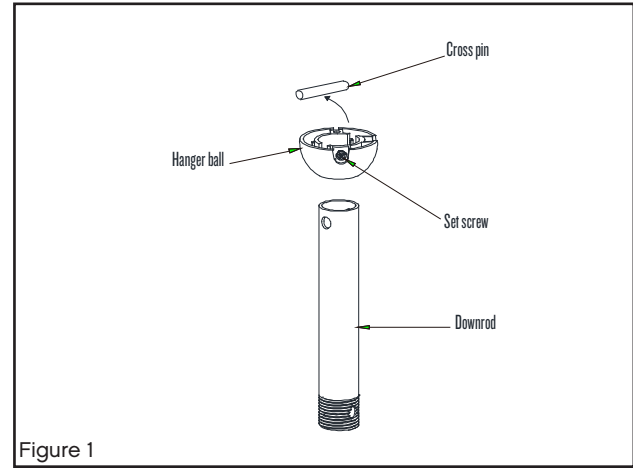
- 1 Locate ceiling joist where fan is to be mounted, being sure location agrees with the requirements in the minimum clearance section of this guide. Wood joists must be sound and of adequate size to support 35 pounds (See page 2, items 3 and 4).
- 2 If not already present, mount a UL listed outlet box marked "suitable for fan support" following the instructions provided with the outlet box. The outlet box must be able to support a minimum of 35 pounds.
- 3 Remove canopy from hanger bracket. Remove twist-lock trim ring by rotating counter-clockwise. Remove canopy screw that does not have key slot in canopy. Loosen screw with key slot and remove canopy.
- 4 Attach hanging bracket to outlet box using screws provided with the outlet box.



HANGING THE FAN

WARNING: Make sure the cross pin is installed well on hanger ball with downrod.

- 1 Remove hanger ball from downrod by loosening set screw in the side of the hanger ball. Slide hanger ball down and remove cross pin. (Fig. 1)
- 2 Carefully support fan body (motor) in its packing with the mounting collar (where the wires come out) facing upward.
- 3 Loosen the security set screw and remove the downrod pin and cotter pin from the coupler on top of the motor assembly. (Fig. 2)
- 4 Carefully feed the electrical lead wires and safety cable from the fan through the downrod. Thread downrod into coupler until holes align. Insert downrod pin through holes in mounting collar and downrod; clip cotter pin through small hole in end of downrod pin to hold downrod in place.
- 5 Securely tighten set screw against downrod using a large flat-head screwdriver to ensure a tight fit against downrod. Tighten nuts against mounting collar.



HANGING THE FAN (continued)

- 1 Slip the yoke cover, trim ring and canopy onto the downrod. (Fig. 3)
- 2 Slide the hanger ball onto the downrod, insert the cross pin through the downrod and tighten. Tighten the set screw.

NOTE:

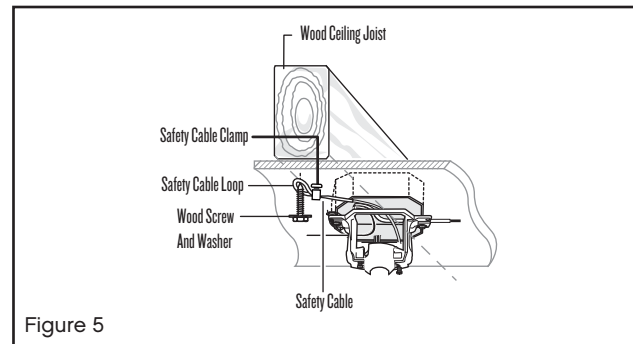
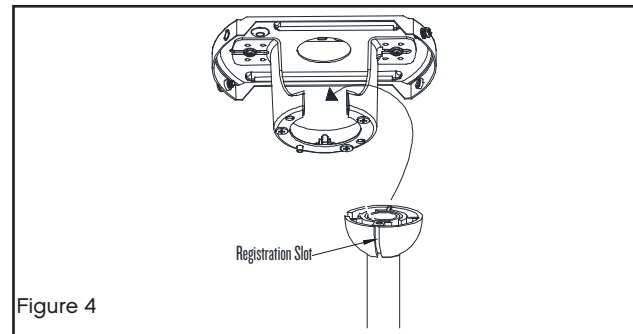
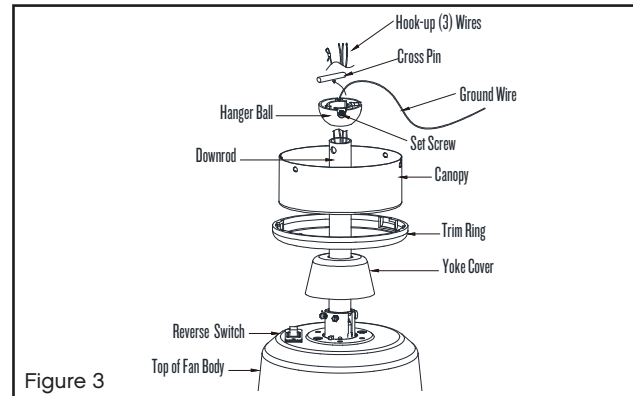
Fan has 6 feet of hook-up wire in case you are using a long extension downrod.

- 3 Lift ball/downrod/fan into hanger bracket opening.

NOTE: The tab opposite hanger bracket opening should fit in slot on ball. (Fig. 4)

INSTALLATION OF SAFETY CABLE SUPPORT:

Attach the wood screw and the flat washer to the ceiling joist as shown (do not fully tighten). Slide the cable clamp onto the safety cable from the fan. Loop the safety cable around the wood screw that was just attached to ceiling joist. Feed the end of the cable into the clamp and pull as much cable through as possible. Firmly tighten screw in the clamp. Cut off excess cable.



ELECTRICAL CONNECTIONS

REMEMBER - Turn off the power!

NOTE: Control must be installed within 30 feet of fan.

WARNING: Check to see that all connections are tight, including ground, and that no bare wire is visible at the wire nuts, except for the ground wire.

CAUTION: To reduce the risk of electric shock, this fan must be installed with an isolating wall control/switch.

- 1 Insert the receiver into the ceiling mounting bracket with the flat side of the receiver facing the ceiling. (Fig. 1)
- 2 Make wire connections from the fan to the receiver unit. For this step use the bundle of 3 wires on the receiver. (Fig. 2)

Connect the BLUE fan wire to the BLUE receiver wire.

Connect the BLACK fan wire to the BLACK receiver wire.

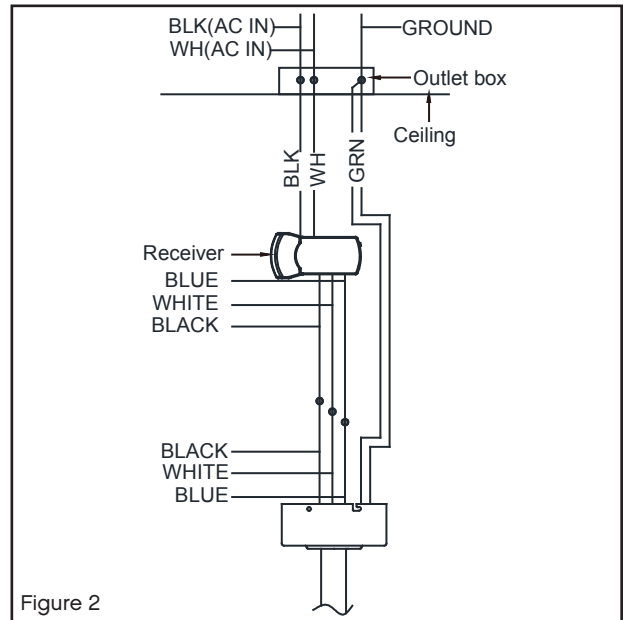
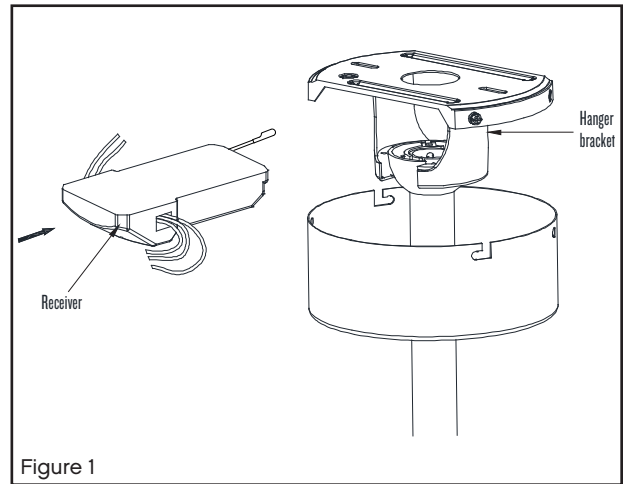
Connect the WHITE fan neutral wire to the WHITE receiver neutral wire.

- 3 Connect the wiring from the ceiling to the receiver unit. (Use the 2 wire bundle on the receiver.) Secure with supplied wire nuts.

Connect the BLACK building supply wire to the BLACK receiver wire.

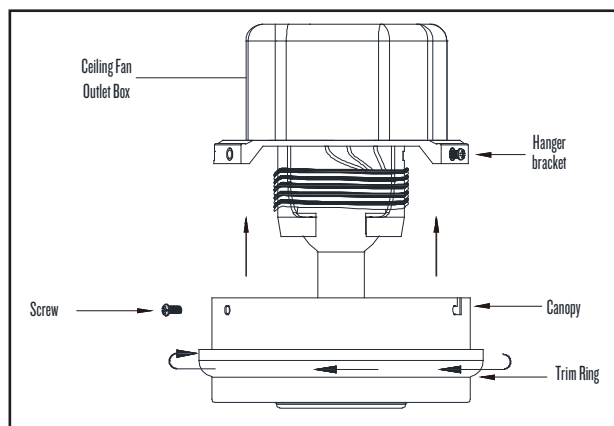
Connect the WHITE receiver neutral wire to the WHITE building neutral wire.

Connect the COPPER building ground wire to the 2 GREEN ground wires from the fan.



FINISHING THE INSTALLATION

- 1 Align the locking slots of the ceiling canopy with the two screws in the mounting plate. Push up to engage the slots and turn clockwise to lock in place. Immediately tighten the two mounting screws firmly.
- 2 Install the remaining two mounting screws into the holes in the canopy and tighten firmly.
- 3 Install the trim ring by aligning the ring's slots with the screws in the canopy. Rotate the trim ring clockwise to lock in place.



WARNING:

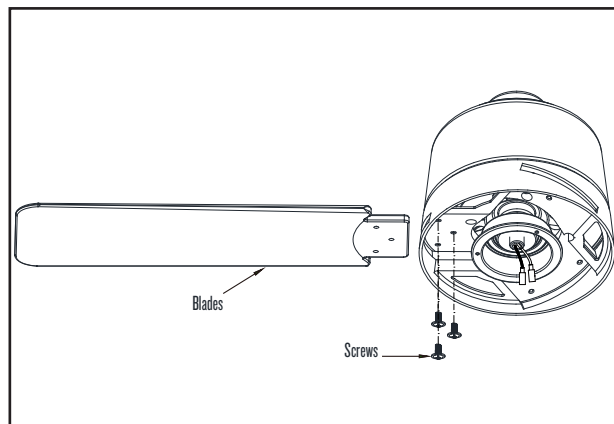
Make sure the hook on the hanging bracket properly sits in the groove in the hanger ball before attaching the canopy to the bracket by turning the housing until it drops into place.

INSTALLING THE BLADES

NOTE:

Remove any rubber supports that are installed for shipping.

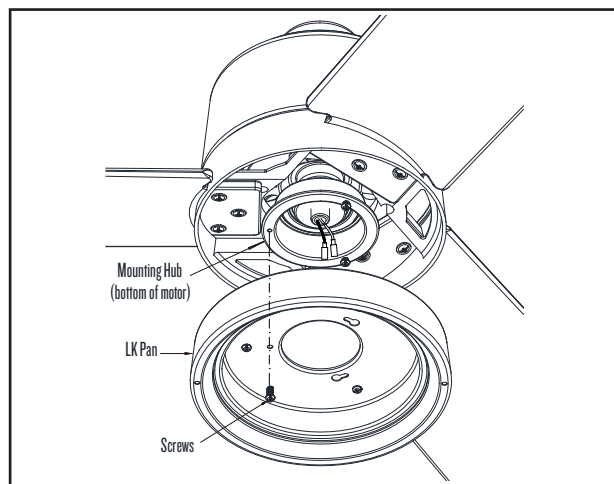
- 1 Attach a blade to the fan motor assembly by inserting the blade into slots in the side of the fan motor assembly, and aligning the three screws holes in the blade with the holes, then secure with screws.
- 2 Make sure all the screws are firmly tightened.
- 3 Repeat these steps for the remaining blades.



INSTALLING THE LIGHT KIT PAN

CAUTION: To reduce the risk of electrical shock, disconnect the electrical supply circuit to the fan before installing the light kit.

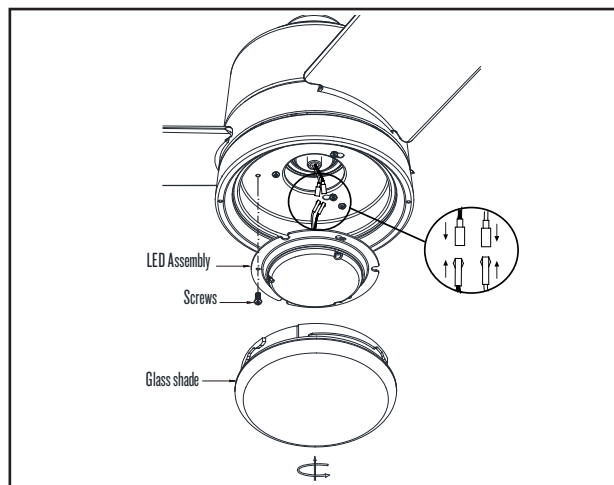
- 1 Loosen but do not remove two of three mounting screws from the fan motor assembly; Remove one mounting screw.
- 2 Push the light kit pan up to the fan motor assembly so that the two loosened screw heads fit into the keyhole slots. Turn the light kit pan clockwise, tightened the screws. Re-install the screw that was removed in step 1 and tighten firmly.



INSTALLING THE LED ASSEMBLY AND GLASS SHADE

CAUTION: To reduce the risk of electrical shock, disconnect the electrical supply circuit to the fan before installing the light kit.

- 1 Remove one screw from the light kit pan and loosen, but do not remove the other two screws. Connect the wires from the light kit fitter assembly to the wires from the fan motor assembly by connecting the molded adaptor plugs together. Carefully tuck all wires and splices into the switch cap.
- 2 Push the light kit assembly up so that the two loosened screw heads fit into the keyhole slots. Turn the light kit assembly clockwise, tighten the screws. Reinstall the screw that was removed in step 1 and tighten firmly.
- 3 Place the glass shade into the light kit pan, aligning the three flat areas on the top of the glass shade with the three raised dimples in the light kit pan. Turn the glass shade clockwise until it stops.



INSTALLING THE WALL CONTROL

REMEMBER to turn off the power before you begin.

NOTE: 1. Control must be installed within 30 feet of fan.
2. Secures to any surface or application: flat wall, single gang box, multi gang box.

Option 1. Flat Surface Installation

- 1 Select a desired location. Use the wall plate to mark the location of the mounting holes. Plastic wall anchors or mounting screws are needed for this application. (Fig. 1)
- 2 Seat the cradle B into the wall plate. Secure the wall plate to the wall using the provided hardware.
- 3 Snap the face plate cover onto the wall bracket.
- 4 Remote transmitter will be held in place with built in magnets.

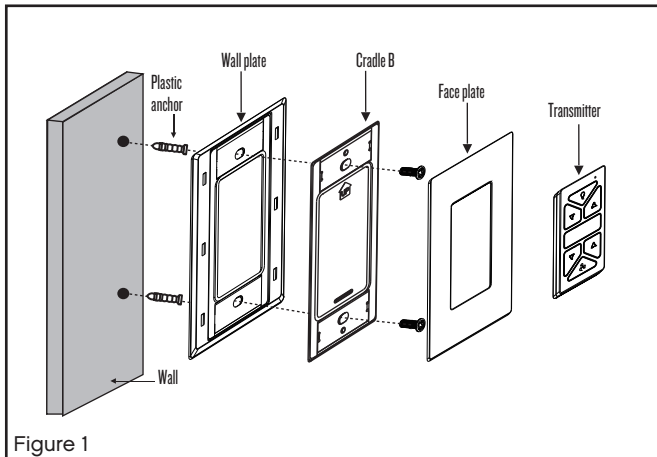


Figure 1

HIRO HIRO Control System

Option 2. For Single Gang Box

- 1 Remove the existing wall plate and the old switch from the wall outlet box.
- 2 Seat the cradle A into the wall plate. (Fig. 2)
- 3 Connect the black lead wires from the switch in the cradle A to the black wires in the switch box. Hot input wire to one of the cradle A switch leads. Power lead to the fan is connected to the remaining switch lead.
- 4 Connect the wall plate / cradle A assembly to the wall outlet box using the supplied hardware.
- 5 Snap the face plate cover onto the wall bracket.
- 6 Remote transmitter will be held in place with built in magnets.

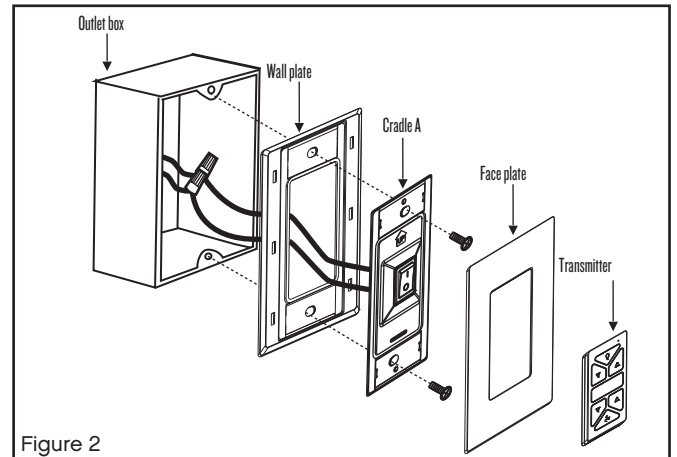


Figure 2

INSTALLING THE WALL CONTROL (continued)

Option 3. For Multi-Gang Wall Switch Box

- 1 Remove the existing wall plate and old switch from the wall outlet box. (Fig. 3)
- 2 Connect the black lead wires from the switch in cradle A to the black wires in the switch box. Hot input wire to one of the cradle switch leads. Power lead to the fan is connected to the remaining switch lead. (Fig. 4)
- 3 Attach cradle A to the wall switch box using supplied hardware.
- 4 Attach the multi-gang face plate (not included) to the switch set in the wall outlet box. Cradle A Hinkley switch will fit in any standard decora face plate.

NOTE: Remote transmitter will be held in place with built in magnets.

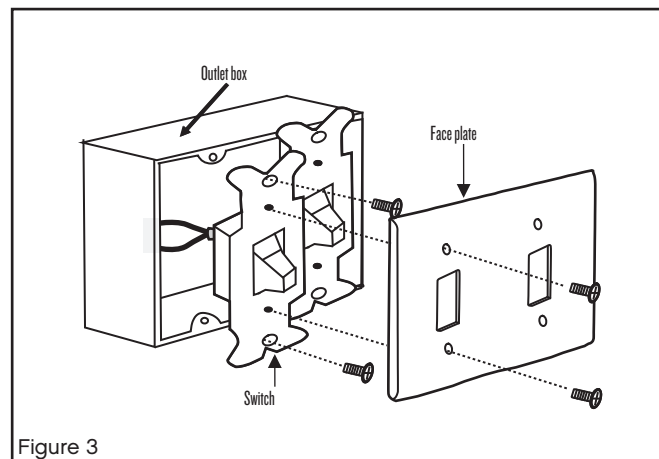


Figure 3

HIRO HIRO Control System

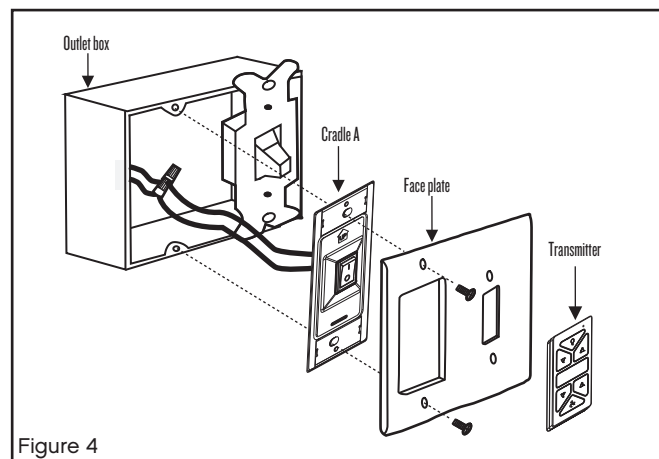



Figure 4






OPERATION

Remove the panel from the transmitter and then install one 2032 battery (included). You need to use a coin to open or close the battery cover. To prevent damage to transmitter, remove the battery if not use for long periods of time (Fig. 1)

 **WARNING:** Chemical Burn Hazard.
Keep batteries away from children.


This product contains a lithium button/coin cell battery. If a new or used lithium button/coin cell battery is swallowed or enters the body, it can cause severe internal burns and can lead to death in as little as 2 hours. Always completely secure the battery compartment. If the battery compartment does not close securely, stop using the product, remove the batteries, and keep it away from children. IF you think batteries might have been swallowed or placed inside any part of the body, seek immediate medical attention.

The batteries shall be disposed of properly, including keeping them away from children; Even used cells may cause injury.

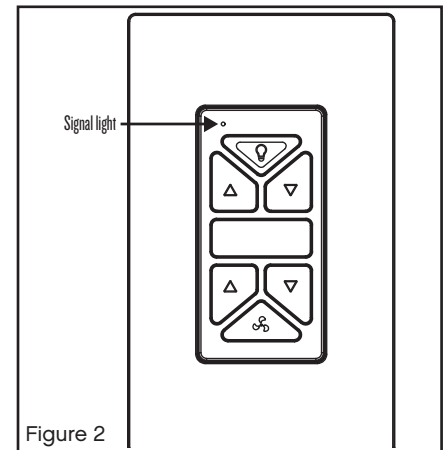
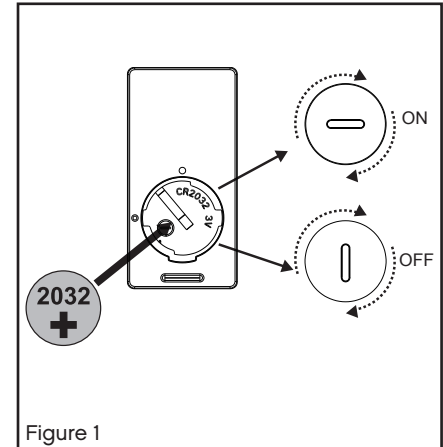
-  button:
Press this button and release instantly to turn on or off the light.
-  button:
Press and hold to dim or brighten lights to the desired level and release.
-  button:
Press button for turn on and setting 1-3 fan speed.
-  button:
Press this button to turn the fan on/off.
-  Signal light (Fig. 2)

Pairing Process

NOTE: If installing/pairing more than one fan in an area, the power must be disconnected from all fans except the one fan being paired.

With the fan's power off, restore power to the fan. Press and hold “” button for about 3 seconds and release. If optional light kit is installed, the light kit will flash one time and the blades will begin to spin. The fan has completed the pairing process with the wall control and is ready for use.

NOTE: A single fan can be controlled with as many as 3 wall controls in one room. Every control will need to repeat the pairing process based on instructions above and all controls must be within 30 feet of the fan.

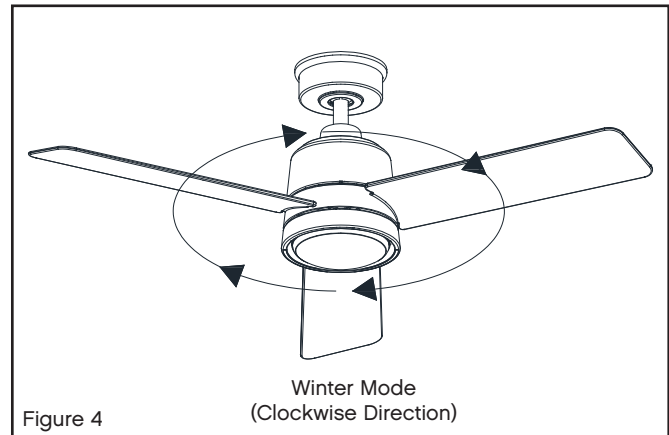
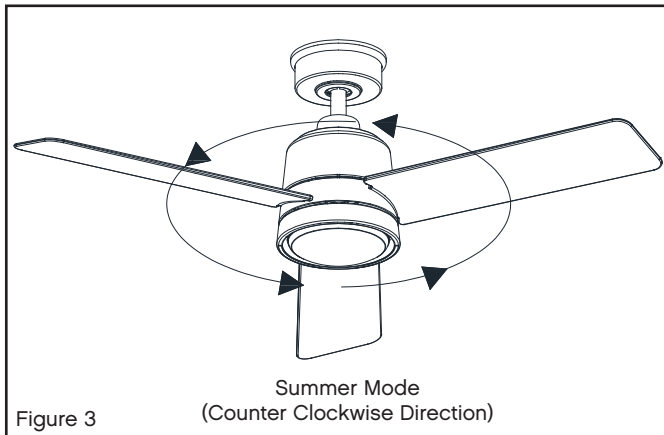


 **HIRO Control System**

OPERATION (continued)

Summer Mode and Winter Mode Operation

- 1 IMPORTANT:** To prevent damage or cause injury, be sure that fan is switched to off and blades have stopped moving completely before attempting to change direction of rotation.
- Slide the reversing switch (located at the top of the motor housing, refer to figure 3 on page 7) to opposite position, and turn fan on again. The fan blades will turn in the opposite direction and reverse airflow.
- 3 Summer Mode (forward):**
A DOWNWARD airflow creates a cooling effect as shown in Figure 3. This allows you to set your air conditioner on a warmer setting without affecting your comfort.
- 4 Winter Mode (Reverse):**
An UPWARD airflow moves warmer air off the ceiling area as shown in Figure 4. This allows you to set your heating unit on a cooler setting without affecting your comfort.



CARE AND CLEANING

Periodically it may be necessary to re-tighten blade to blade arm screws or blade arm to motor screws to prevent clicking or humming sound during operation. This is especially true in climates with broad temperature and humidity ranges.

When dusting the blades, you must support the blade to prevent bending - no pressure should be applied to the blades. If you experience any flaws in the operation of your fan, please check the following points.

TROUBLESHOOTING

CAUTION:

Switch off power supply before carrying out any of these checks.

PROBLEM

Fan Will Not Start

1. Check main and branch circuit breakers and/or fuses.
2. Check line wire connections to fan housing wiring. Make sure forward/reverse switch is set to one or the other position, not stuck in between.
3. Check to make sure the dip switches from the transmitter and receiver are set to the same frequency.

Fan Sounds Noisy

1. Check and make sure that all screws in motor housing are snug (but not over tight).
2. Check that the screws securing blade arms to the motor are tight.
3. Check that wire connectors in switch housing are not rattling against each other or the interior wall of the switch housing.
4. Check that all glassware is finger tight and that bulb(s) are well held in the sockets, if a light kit is used.
5. Check that the canopy is firmly attached to hanging bracket and not vibrating against ceiling.

Fan Wobbles

1. Check that all blades are firmly screwed into blade arms. Check that all blade arms are firmly secure to the motor.
2. Check to make sure that light kit (if present) is firmly attached to switch housing and that all glassware and shades are fastened properly. Wobble can also result from even the smallest deviations in distance from blade tip to blade tip.
3. If measurements from blade tip to blade tip are not equal, loosen screws connecting blade to blade arm one at a time and adjust blade(s) so that distances are equal.
4. Interchanging adjacent blades may redistribute mass and result in smoother operation. Blade arms can be bent slightly to restore same pitch to all blades if a blade is different than the other blades when viewed edge on.
5. Most wobble can be traced to a loose electrical box or mounting bracket. Make sure these are tight and the ball is completely seated in the bracket.
6. Use the enclosed Blade Balancing Kit if the blade wobble is still noticeable.

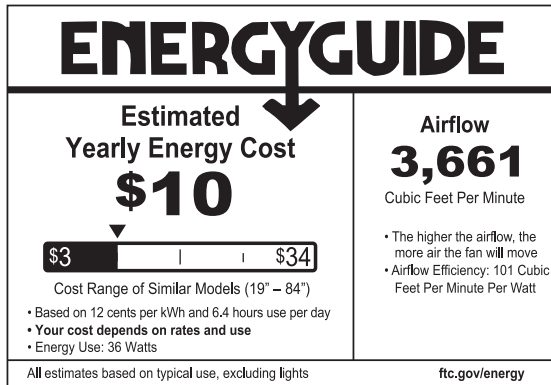
WARNING: To reduce the risk of personal injury, do not bend the blade arm while installing, balancing the blades, or cleaning the fan. Do not insert foreign objects between rotating fan blades.

Remote Control Malfunction.

1. Do not connect the fan with a wall mounted variable speed control(s).
2. Make sure the dip switches are set correctly.

ENERGY GUIDE

AVERAGE PERFORMANCE AND ENERGY INFORMATION



SPECIFICATIONS

PERFORMANCE SPECIFICATIONS	STANDARD	
	HIGH SPEED	LOW SPEED
Airflow (CFM)	4767	2409
Energy Use (Watts)	53.99	14.91
Airflow Efficiency (CFM/W)	88	162
Energy Costs (Yearly)	\$15	\$4
Amps	0.46	0.24
RPMs	180	80

DOWNLOADING THE HINKLEY APP (SOLD SEPARATELY)

HINKLEY SMART FAN OPTIONS:

In addition to the included wall control, you can control your Hinkley fan through the Hinkley app.

- To use the Hinkley app, download it for free from the App Store or Google Play.
- Open the Hinkley app where you will be prompted to create an account.
- Enter all necessary information to create an account.
- After account is created you will receive a verification code email to finish setting up the Hinkley app (Check spam folder if email is not received).
- Confirm Bluetooth is enabled to allow the fan and Hinkley app to connect to each other.
- Click add a device on the home screen and select desired fan.
- The Hinkley app will then have you enter in WiFi name and password.
- Click done on the Hinkley app to complete connecting the fan.
- The Hinkley app will have options on the main screen for fan speeds, dimming and setting timers.
- Scan the QR code below for more information on the Hinkley app operation.



SCAN FOR ADDITIONAL DETAILS

HINKLEY IS PROUD TO PROVIDE YOU WITH CEILING FAN PRODUCTS THAT ENHANCE YOUR SPACE WITH COMFORT, PURPOSE AND STYLE. AS A FAMILY COMPANY, WE ARE COMMITTED TO DESIGN, PERFORMANCE AND QUALITY, AND WHAT'S IMPORTANT TO YOU IS PARAMOUNT TO US.

FOR A COMPLETE ASSORTMENT OF OUR PRODUCTS AND SOURCE BOOKS, VISIT HINKLEY.COM.

HINKLEY

GLOBAL HEADQUARTERS

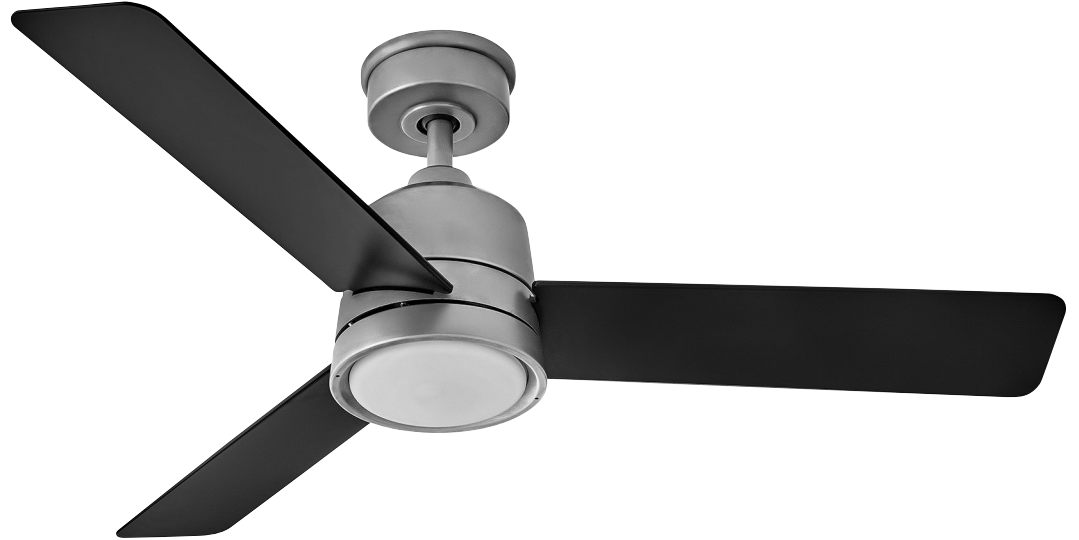
33000 Pin Oak Parkway | Avon Lake, Ohio 44012

T (440) 653 5500 | F (440) 653 5555 | hinkley.com

HINKLEY

CHET™ DE 122 CM

VENTILADOR CON LUZ LED PARA INTERIORES / EXTERIORES



WET



AC MOTOR



LED



MANUAL DE INSTRUCCIONES PARA VENTILADORES DE TECHO

DESEAMOS QUE TE ENCANTE TU NUEVO VENTILADOR

ASÍ QUE ESTAMOS AQUÍ SI TIENES ALGUNA PREGUNTA, NECESITAS AYUDA O DESEAS HABLAR SOBRE NUESTROS PRODUCTOS, O ENVIARNOS SUGERENCIAS TAMBIÉN - SIEMPRE ESTAMOS BUSCANDO HACER QUE TU EXPERIENCIA CON HINKLEY SEA POSITIVA.

> SERVICE@HINKLEY.COM

> [800.HINKLEY](tel:800.HINKLEY)

> [A VER ESE ESTILO HINKLEY @HINKLEY](#)

[#HINKLEYSTYLE](#)

Este manual contiene instrucciones completas para la instalación y operación de este ventilador. Ha sido diseñado para hacer que el proceso de instalación sea lo más fácil posible. Si no estás familiarizado o no te sientes cómodo con el cableado, comunícate con un electricista calificado. Si necesitas ayuda adicional o tienes alguna pregunta, comunícate con nosotros.

Para obtener información sobre la garantía, visita hinkley.com.

TABLA DE CONTENIDO

02	INSTRUCCIONES GENERALES DE INSTALACIÓN Y FUNCIONAMIENTO	10	CÓMO INSTALAR LA CARCASA DEL KIT DE LUCES
03	INSTRUCCIONES IMPORTANTES DE SEGURIDAD	11	INSTALACIÓN DEL CONJUNTO DEL LED Y LA PANTALLA DE VIDRIO
03	HERRAMIENTAS Y MATERIALES NECESARIOS	12	CÓMO INSTALAR EL CONTROL DE PARED
04	CÓMO DESEMPACAR EL VENTILADOR	14	FUNCIONAMIENTO
05	PREPARACIÓN	16	CUIDADO Y LIMPIEZA
05	INSTALACIÓN DEL SOPORTE COLGANTE	16	SOLUCIÓN DE PROBLEMAS
06	CÓMO COLGAR EL VENTILADOR	17	GUÍA DE CONSUMO DE ENERGÍA
08	CONEXIONES ELÉCTRICAS	17	ESPECIFICACIONES
09	CÓMO CONCLUIR LA INSTALACIÓN	18	APLICACIÓN HINKLEY/WIFI
10	CÓMO INSTALAR LAS ASPAS		

ADVERTENCIA:

Lee y sigue estas instrucciones atentamente y ten en cuenta todas las advertencias que se muestran.

INSTRUCCIONES GENERALES DE INSTALACIÓN Y FUNCIONAMIENTO

- 1 Para garantizar el éxito de la instalación, asegúrate de leer las instrucciones y revisar los diagramas detenidamente antes de comenzar.
- 2 Para evitar posibles descargas eléctricas, asegúrate de que la electricidad esté apagada en la caja de alimentación principal antes de realizar el cableado. Todas las conexiones eléctricas deben realizarse de acuerdo con los códigos y ordenanzas locales y/o el Código Eléctrico Nacional. Si no estás familiarizado con los métodos de instalación de cableado y productos eléctricos, contrata los servicios de un electricista calificado y con licencia, así como de alguien que pueda verificar la resistencia de los componentes del techo de soporte y realizar las instalaciones y conexiones adecuadas.
- 3 **ADVERTENCIA:** Para reducir el riesgo de incendio, descarga eléctrica o lesiones personales, instala el ventilador sólo en una caja eléctrica o sistema de soporte aprobados para ventiladores de 35 lb (15.9 kg) o menos, y usa los tornillos de montaje que vienen con la caja eléctrica. La mayoría de las cajas eléctricas comúnmente usadas para el soporte de lámparas no son aceptables para el soporte de ventilador y sería necesario reemplazarlas. Si tienes dudas, consulta a un electricista calificado.
- 4 Asegúrate de que el espacio de instalación no permita que las aspas giratorias del ventilador entren en contacto con ningún objeto. Las aspas deben estar al menos a 2.1 metros (7 pies) del piso.
- 5 Las aspas deben colocarse después de que la carcasa del motor esté colgada y en su lugar. La carcasa del motor del ventilador debe guardarse en la caja hasta que esté lista para instalarse para proteger su acabado. Si estás instalando más de un ventilador de techo, asegúrate de no mezclar los conjuntos de aspas del ventilador, ya que cada aspa es parte de un conjunto ya balanceado.
- 6 Después de concluir con las conexiones eléctricas, debes voltear los conductores empalmados hacia arriba y empujarlos con cuidado hacia dentro de la caja eléctrica. Los cables deben separarse con el conductor común y el conductor de puesta a tierra en un lado de la caja de salida, y los cables "VIVOS" en el otro lado.
- 7 Los diagramas eléctricos son sólo para referencia. Los juegos de luces que no están empacados con el ventilador deben estar listados por UL y deben instalarse según las instrucciones de instalación del kit de luces.
- 8 Una vez que el ventilador esté completamente instalado, verifica que todas las conexiones estén seguras para evitar que el ventilador se caiga y/o cause daños o lesiones.
- 9 Se puede hacer que el ventilador funcione inmediatamente después de la instalación: los cojinetes se cargan adecuadamente con grasa de modo que, en condiciones normales, no debería ser necesaria una lubricación adicional durante la vida útil del ventilador.
- 10 **PRECAUCIÓN:** No ingerir la batería: peligro de quemadura química. Mantener las baterías nuevas y usadas alejadas de los niños.
- 11 El control remoto incluido contiene una batería tipo moneda/botón. Tragarse la batería de tipo moneda/botón puede causar quemaduras internas graves en solo 2 horas y puede provocar la muerte.
- 12 Si el compartimiento de la batería no cierra de forma segura, deja de usar el producto y mantenlo fuera del alcance de los niños.
- 13 En caso de sospecha de ingestión o penetración de las baterías en cualquier parte del cuerpo hay que buscar de inmediato atención médica.
- 14 **ADVERTENCIA:** Para reducir el riesgo de incendio o descarga eléctrica, este ventilador solo debe usar la pieza núm. MR161C de control de velocidad de ventilador fabricada por Chungear Industrial Co., Ltd.
- 15 **Nota:** Puede usarse en lugares húmedos.

INSTRUCCIONES IMPORTANTES DE SEGURIDAD

ADVERTENCIAS:

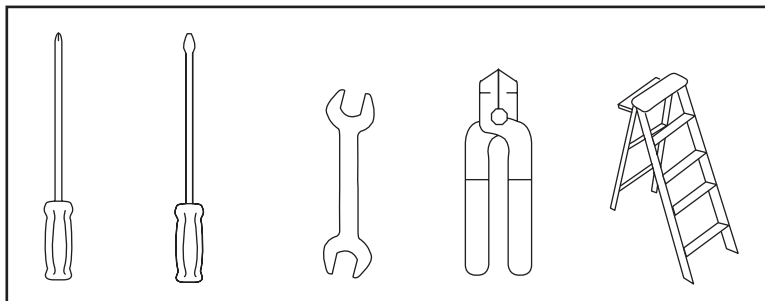
- Desconecta el suministro eléctrico quitando el fusible o apagando el disyuntor antes de instalar el ventilador y/o la iluminación opcional.
- Apoyo directo desde la estructura del edificio.
- Para reducir el riesgo de incendio, descarga eléctrica o lesiones personales, monta el ventilador sobre una caja eléctrica marcada como “aprobada como soporte de ventilador” y usa tornillos de montaje que vienen con la misma. La mayoría de las cajas eléctricas comúnmente usadas para soporte de lámparas no son aceptables como soporte de ventilador y sería necesario reemplazarlas. Si tienes dudas, consulta a un electricista calificado.
- No utilices un regulador de luz incandescente. No utilices este ventilador con ningún dispositivo de control de velocidad del ventilador de tipo transformador.
- Para reducir el riesgo de lesiones personales, no dobles los brazos de las aspas al instalarlos, al equilibrar las aspas o limpiar el ventilador. No insertes ningún objeto entre las aspas giratorias del ventilador.

NOTA:

Las precauciones, medidas de seguridad e instrucciones importantes que aparecen en este manual no pretenden cubrir todas las condiciones posibles y situaciones posibles que pueden ocurrir. Debe entenderse que el sentido común, la precaución y el cuidado son factores que no pueden integrarse en este producto. Estos factores deben ser proporcionados por la(s) persona(s) que instalan, cuidan y operan la unidad.

HERRAMIENTAS Y MATERIALES NECESARIOS

- DESTORNILLADOR PHILLIPS
- DESTORNILLADOR PLANO
- LLAVE O ALICATES
- CORTACABLES
- ESCALERA DE TIJERA
- SUMINISTROS DE CABLEADO SEGÚN LO REQUIERE EL CÓDIGO ELÉCTRICO



CÓMO DESEMPACAR EL VENTILADOR

DESEMPACA EL VENTILADOR Y COMPRUEBA EL CONTENIDO.

- No deseches el empaque. Si alguna vez es necesario reemplazar o reparar bajo la garantía, el ventilador debe devolverse en el embalaje original. Retira todas las piezas y herrajes. No coloques la carcasa del motor de costado, ya que la carcasa decorativa podría moverse, doblarse o dañarse.
- Revisa todas las partes. Debes tener las siguientes piezas:

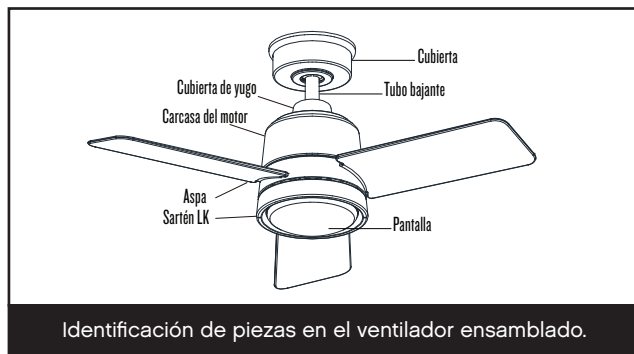
		CONTENIDO DEL PAQUETE	
1	Soporte colgante	CA904566FXX	
2	Cubierta de Techo		
3	Aro de la Moldura		
4	Ensamblaje del tubo bajante	DRK94014FXX	
5	Cubierta de yugo	YC905236FXX	
6	Carcasa de ventilador con motor		
7	Juego de aspas de 3	BL905248FXX	
8	Bandeja LK	AP905236FXX	
9	Conjunto de luces LED de 16 W	E905236LED	
10	Conjunto de pantalla	GL905236FR	
11	Tuercas para cables incluidas con el receptor	CN905248	
12	Control de pared con batería 2032, soporte A, placa de pared, placa frontal, tornillos de montaje, soporte B (solo para uso en paredes planas)	980014FWH	
13	Bolsa de herrajes		
	Herrajes de soporte de colgar, Herrajes del cable de seguridad, Tornillos de aspa, Kit de balanceo de aspas	MH905236	
NOTA: El diseño de las piezas que se muestran arriba puede verse ligeramente diferente para tu modelo específico de ventilador			xx=ACABADO DEL VENTILADOR

PREPARACIÓN

PREPARACIÓN:

Verifica que tengas todas las piezas antes de comenzar la instalación. Revisa detenidamente el inserto de papel de pulpa para ver si faltan piezas. Saca el motor del empaque. Para evitar dañar el acabado, ensambla el motor sobre una superficie acolchada suave o usa la papel de pulpa original insertada en la caja del motor.

NO COLOQUES LA CARCASA DEL MOTOR DE LADO YA QUE ESTO PODRÍA RESULTAR EN EL DESPLAZAMIENTO DEL MOTOR EN LA CAJA DECORATIVA.



Identificación de piezas en el ventilador ensamblado.

INSTALACIÓN DEL SOPORTE COLGANTE

PRECAUCIÓN: Para evitar posibles descargas eléctricas, asegúrate de que la electricidad esté apagada en la caja de alimentación principal antes de realizar el cableado. Todo el cableado debe estar de acuerdo con los Códigos Eléctricos Nacionales y Locales y el ventilador de techo debe estar conectado a tierra como precaución contra posibles descargas eléctricas.

- 1 Ubica la viga del techo donde se montará el ventilador, asegurándote de que la ubicación cumpla con los requisitos de la sección de espacio libre mínimo de esta guía. Las vigas de madera deben ser sólidas y del tamaño adecuado para soportar 35 libras [15.87 kg] (consulta la página 2, artículos 3 y 4).
- 2 Si aún no está, instala una caja eléctrica aprobada por UL marcada como "adecuada para soporte de ventilador" siguiendo las instrucciones provistas con la caja eléctrica. La caja eléctrica debe poder soportar un mínimo de 35 libras [15.87 kg]
- 3 Retira la cubierta del soporte de montaje. Quita el aro de la moldura de cierre giratorio girándolo en sentido contrario a las agujas del reloj. Retira el tornillo de la cubierta que no tiene ranura para llave en la cubierta. Afloja el tornillo con ranura para llave y retira la cubierta.
- 4 Fija el soporte para colgar a la caja eléctrica con los tornillos provistos con la caja eléctrica.

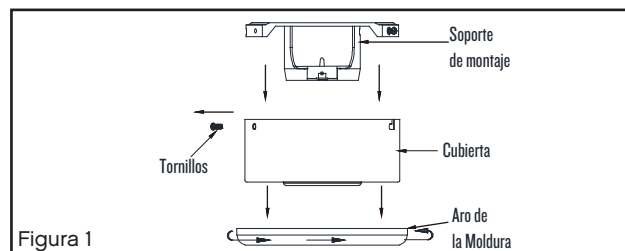


Figura 1

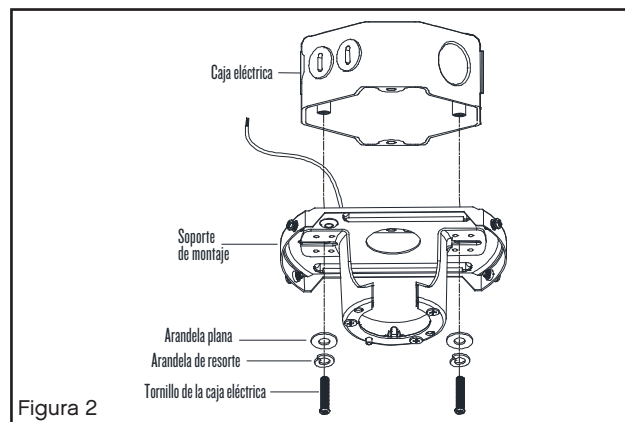
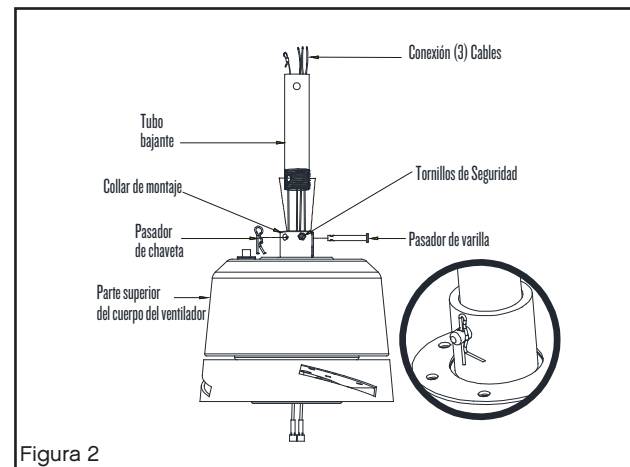
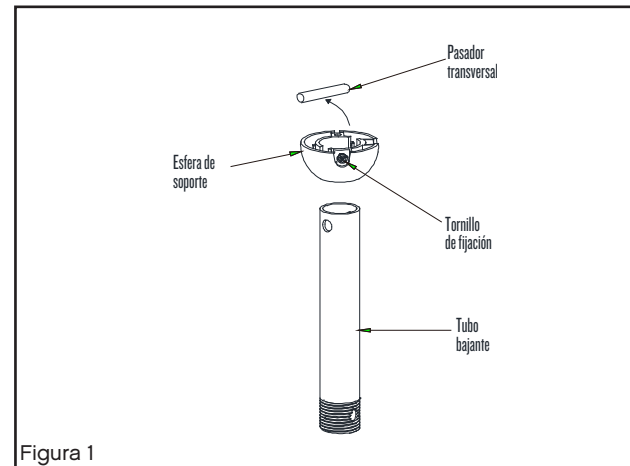


Figura 2

CÓMO COLGAR EL VENTILADOR

ADVERTENCIA: Asegúrate de que el pasador transversal esté bien instalado en la esfera de soporte con el tubo bajante.

- 1 Retira la esfera de soporte del tubo bajante aflojando el tornillo de fijación en el costado de la esfera de soporte. Desliza la esfera de soporte hacia abajo y retira el pasador transversal. (Fig. 1)
- 2 Sostén con cuidado el cuerpo del ventilador (motor) en su empaque con el collarín de montaje (donde salen los cables) mirando hacia arriba.
- 3 Afloja el tornillo de seguridad y retira el pasador de chaveta y el clip de retención del acoplamiento en la parte superior del conjunto del motor. (Fig. 2)
- 4 Pasa con cuidado los cables conductores eléctricos y el cable de seguridad del ventilador a través del tubo bajante. Enrosca el tubo bajante en el acoplador hasta que los orificios se alineen. Inserta el pasador del tubo bajante a través de los agujeros en el collarín de montaje y el tubo bajante; sujeta el pasador de chaveta a través del pequeño orificio en el extremo del pasador del tubo bajante para mantenerlo en su lugar.
- 5 Aprieta firmemente el tornillo de fijación contra el tubo bajante con un destornillador grande de cabeza plana para garantizar un ajuste perfecto contra el tubo. Aprieta las tuercas contra el collarín de montaje.



CÓMO COLGAR EL VENTILADOR (continuación)

- 1 Desliza la cubierta del yugo, el aro de la moldura y la cubierta en el tubo bajante. (Fig. 3)
- 2 Desliza la esfera de suspensión en el tubo bajante, inserta el pasador transversal a través del tubo bajante y aprieta. Aprieta los tornillos de fijación.

NOTA:

El ventilador tiene 1.8 m (6 pies) de cable de conexión en caso de que esté usando un tubo bajante con extensión.

- 3 Levanta el conjunto de esfera/tubo bajante/ventilador hasta la abertura del soporte de suspensión.

NOTA: La pestaña opuesta a la abertura del soporte de suspensión debe encajar en la ranura de la esfera. (Fig. 4)

INSTALACIÓN DE SOPORTE DE CABLE DE SEGURIDAD:

Fije el tornillo para madera y la arandela plana a la viga del techo como se muestra (no apriete completamente). Deslice la abrazadera del cable en el cable de seguridad del ventilador. Pase el cable de seguridad alrededor del tornillo para madera que acaba de colocar en la viga del techo. Introduzca el extremo del cable en la abrazadera y tire de la mayor cantidad de cable posible. Apriete firmemente el tornillo en la abrazadera. Corte el exceso de cable.

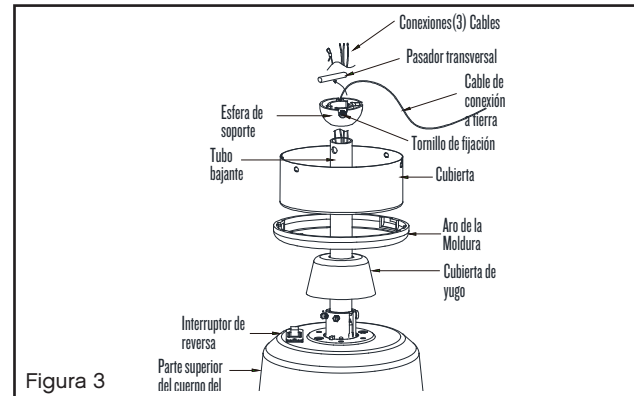


Figura 3

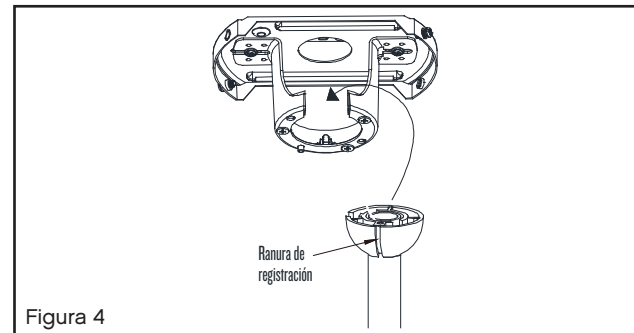


Figura 4

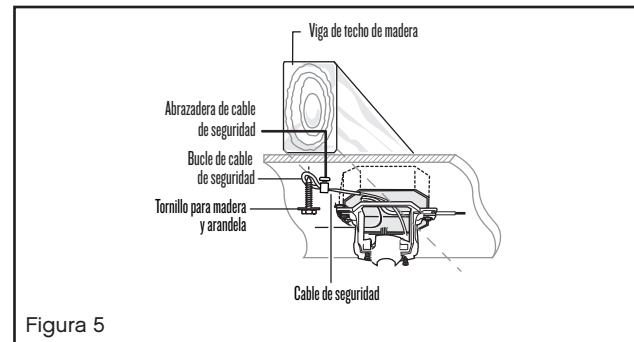


Figura 5

CONEXIONES ELÉCTRICAS

RECUERDA - ¡Corta el suministro de electricidad!

NOTA: El control debe instalarse a menos de 9.1 m (30 pies) del ventilador.

ADVERTENCIA: Verifica que todas las conexiones estén apretadas, incluida la conexión a tierra, y que no se vea ningún cable desnudo en las tuercas para cables, excepto el cable a tierra.

PRECAUCIÓN: Para reducir el riesgo de descarga eléctrica, este ventilador debe instalarse con un control/interruptor de pared aislante.

- 1 Inserta el receptor en el soporte de montaje del techo con el lado plano del receptor hacia el techo. (Fig. 1)
- 2 Realiza las conexiones de cables desde el ventilador hasta la unidad receptora. Para este paso, usa el paquete de 3 cables en el receptor. (Fig. 2)

Conecta el cable AZUL del ventilador al cable AZUL del receptor.

Conecta el cable NEGRO del ventilador al cable NEGRO del receptor.

Conecta el cable neutro BLANCO del ventilador al cable neutro BLANCO del receptor.

- 3 Conecta el cableado del techo a la unidad receptora. (Usa el paquete de 2 cables en el receptor). Asegúralo con las tuercas para cable suministradas.

Conecta el cable NEGRO de suministro del inmueble al cable NEGRO del receptor.

Conecta el cable neutro del receptor BLANCO al cable neutro del inmueble BLANCO.

Conecta el cable de COBRE de conexión a tierra del inmueble a los 2 cables de tierra VERDES del ventilador.

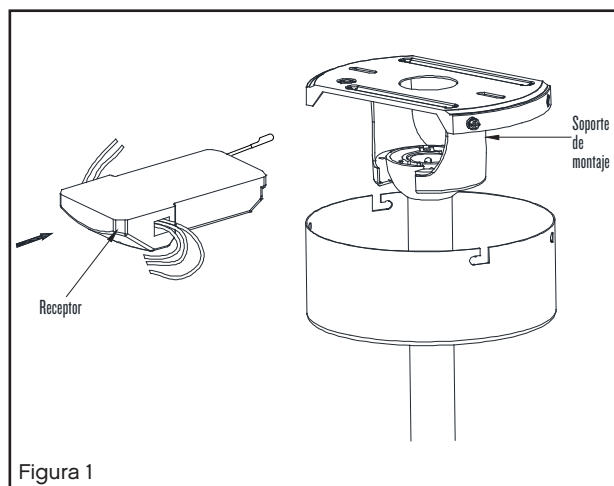


Figura 1

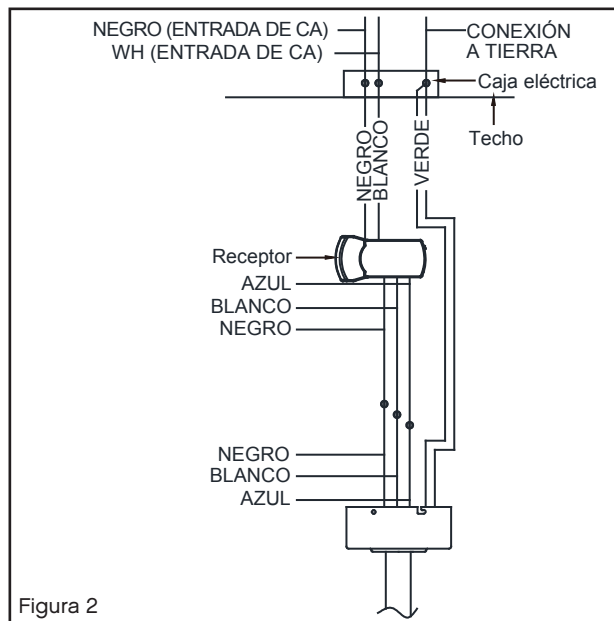
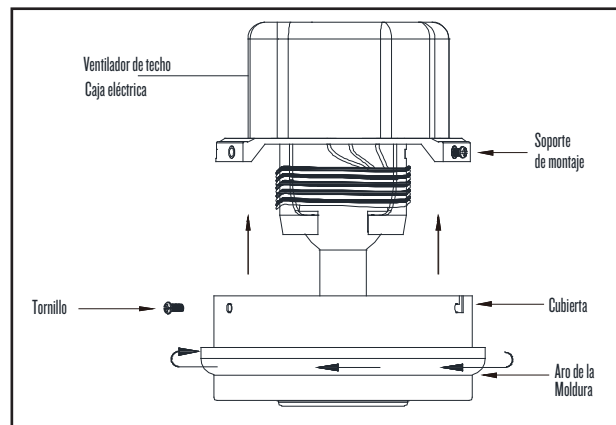


Figura 2

CÓMO CONCLUIR LA INSTALACIÓN

- 1 Alinea las ranuras de cierre de la cubierta de techo con los dos tornillos de la placa de montaje. Empuja hacia arriba para enganchar las ranuras y gira de izquierda a derecha para asegurarlas en su lugar. Inmediatamente aprieta con firmeza los dos tornillos de montaje.
- 2 Instala los dos tornillos de montaje restantes en los orificios de la cubierta y aprieta firmemente.
- 3 Instala el aro de la moldura alineando las ranuras del aro con los tornillos en la cubierta. Gira el aro de la moldura en el sentido de las agujas del reloj para fijarlo en su lugar.



ADVERTENCIA:

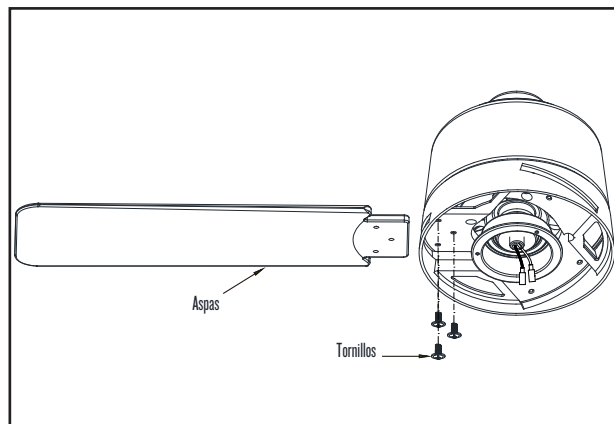
Asegúrate de que el gancho del soporte para colgar se asiente correctamente en la ranura de la esfera de suspensión antes de sujetar la cubierta al soporte girando la carcasa hasta que encaje en su lugar.

CÓMO INSTALAR LAS ASPAS

NOTA:

Retira los soportes de goma que estén instalados para el envío.

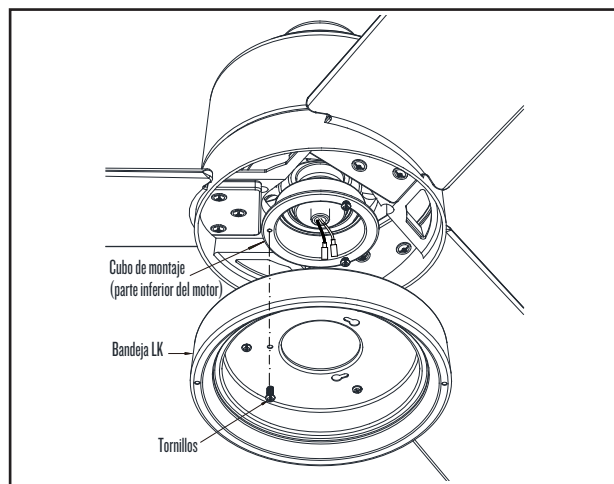
- 1 Fija un aspa al ensamblaje del motor del ventilador insertando el aspa en las ranuras en el costado del ensamblaje del motor del ventilador y alineando los tres orificios para tornillos en el aspa con los orificios, luego fíjalo con tornillos.
- 2 Comprueba que todos los tornillos estén firmemente apretados.
- 3 Repite estos pasos para ensamblar las aspas restantes.



CÓMO INSTALAR LA CARCASA DEL KIT DE LUCES

PRECAUCIÓN: Para reducir el riesgo de descarga eléctrica, desconecta el circuito de suministro eléctrico al ventilador antes de instalar el kit de luces.

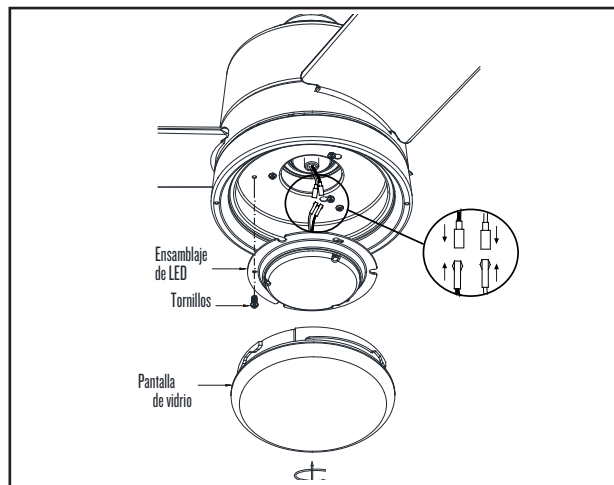
- 1 Afloja, pero no quites, dos de los tres tornillos de montaje del conjunto del motor del ventilador; retira un tornillo de montaje.
- 2 Empuja la carcasa del kit de luces hasta el conjunto motor-ventilador de manera que las cabezas de los dos tornillos aflojados encajen en las ranuras tipo ojo de cerradura. Gira la carcasa del kit de luces hacia la derecha y aprieta los tornillos. Vuelve a instalar el tornillo que retiraste en el paso 1 y apriétalo firmemente.



INSTALACIÓN DEL CONJUNTO DEL LED Y LA PANTALLA DE VIDRIO

PRECAUCIÓN: Para reducir el riesgo de descarga eléctrica, desconecta el circuito de suministro eléctrico al ventilador antes de instalar el kit de luces.

- 1 Quita un tornillo de la carcasa del kit de luces y afloja, pero no quites, los otros dos. Conecta los cables del conjunto del soporte del kit de luces a los cables del conjunto motor-ventilador uniéndolos con los enchufes moldeados del adaptador. Coloca con cuidado todos los cables y empalmes dentro de la caja del interruptor.
- 2 Empuja el conjunto del kit de luces hacia arriba de manera que las cabezas de los dos tornillos aflojados encajen en las ranuras tipo ojo de cerradura. Gira el conjunto del kit de luces hacia la derecha y aprieta los tornillos. Vuelve a instalar el tornillo que retiraste en el paso 1 y apriétalo firmemente.
- 3 Coloca la pantalla de vidrio dentro de la carcasa del kit de luces alineando las tres áreas planas en la parte superior de la pantalla con las tres muescas salientes en la carcasa. Gira la pantalla de vidrio de izquierda a derecha hasta que se detenga.



CÓMO INSTALAR EL CONTROL DE PARED

RECUERDA desconectar la corriente antes de comenzar.

NOTA: 1. El control debe instalarse dentro de 30 pies del ventilador. 2. Se fija a cualquier superficie o aplicación: pared plana, caja de salida simple, caja de salida múltiple.

Opción 1: Instalación en superficie plana

- 1 Selecciona el lugar deseado. Utiliza la placa de pared para marcar la ubicación de los orificios de montaje. Para esta aplicación se necesitan anclajes de pared de plástico o tornillos de montaje. (Fig. 1)
- 2 Asienta el soporte de pared B en la placa de pared. Fija la placa de pared a la pared usando los accesorios proporcionados.
- 3 Encaja la cubierta de la placa frontal en el soporte de pared.
- 4 El transmisor remoto se mantendrá en su lugar con los imanes incorporados.

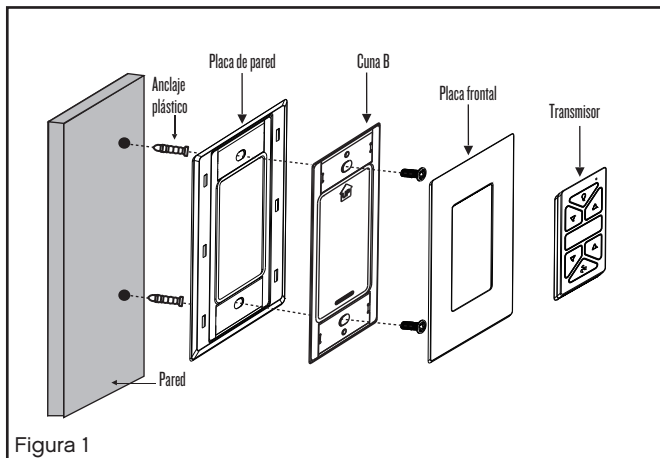


Figura 1

HIRO Sistema de control HIRO

Opción 2: Para caja de una sola salida

- 1 Retira la placa de pared y el interruptor existentes de la caja eléctrica de pared.
- 2 Asienta el soporte de pared A en la placa de pared. (Fig. 2)
- 3 Conecta los cables conductores negros del interruptor en el soporte A a los cables negros en la caja del interruptor. Conecta el cable vivo de entrada con uno de los cables del interruptor del soporte A. El cable de alimentación del ventilador está conectado al cable restante del interruptor.
- 4 Conecta el conjunto de placa de pared/soporte A a la caja de tomacorriente de pared utilizando los accesorios suministrados.
- 5 Encaja la cubierta de la placa frontal en el soporte de pared.
- 6 El transmisor remoto se mantendrá en su lugar con los imanes incorporados.

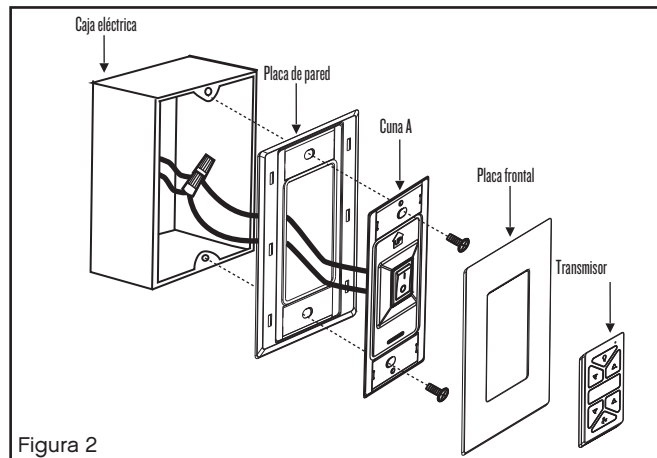


Figura 2

CÓMO INSTALAR EL CONTROL DE PARED (continuación)

Opción 3. Para caja de salida múltiple

- 1 Retire la placa de pared existente y el interruptor viejo de la caja de salida de la pared. (Fig. 3)
- 2 Conecte los cables conductores negros del interruptor en la base A a los cables negros en la caja del interruptor. Cable de entrada activo a uno de los cables del interruptor de la base. El cable de alimentación del ventilador está conectado al cable restante del interruptor. (Figura 4)
- 3 Fije la cuna A a la caja de interruptores de pared utilizando los accesorios suministrados.
- 4 Fije la placa frontal multidispositivo (no incluida) al juego de interruptores en la caja de salida de la pared. El interruptor Cradle A Hinkley encajará en cualquier placa frontal decorativa estándar.

NOTA: El transmisor remoto se mantendrá en su lugar con imanes incorporados.

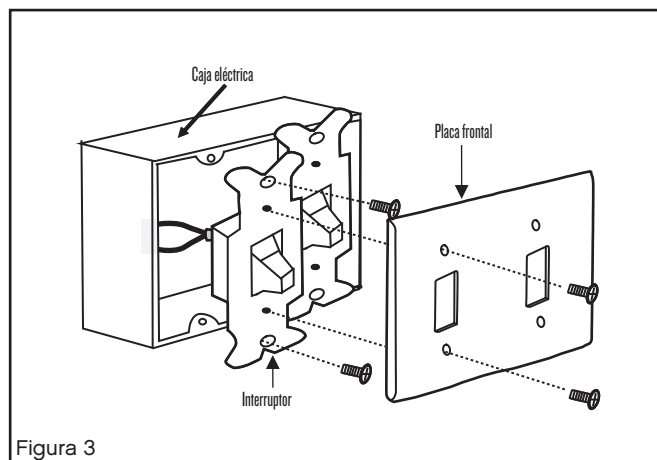


Figura 3

HIRO Sistema de control HIRO

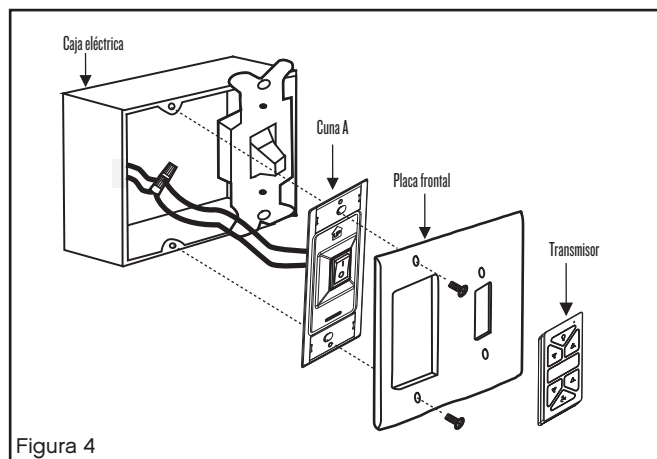



Figura 4






FUNCIONAMIENTO

Retira el panel del transmisor y luego instala una batería 2032 (incluida). Necesitas usar una moneda para abrir o cerrar la tapa de la batería. Para evitar daños al transmisor, extrae la batería si no la vas a utilizar durante largos períodos de tiempo (Fig. 1)

 **ADVERTENCIA:** Peligro de quemaduras químicas. Mantener las baterías alejadas de los niños.


Este producto contiene una batería de litio tipo celda botón/moneda. Si una batería nueva o usada de este tipo se ingiere o penetra de otro modo en el cuerpo, puede causar quemaduras internas graves y llevar a la muerte en apenas 2 horas. Asegurar siempre el compartimiento de baterías por completo. Si el compartimiento de baterías no cierra con seguridad, deja de usar el producto, saca las baterías y mantenlas alejadas de los niños. Si crees que las baterías pueden haber sido tragadas o colocadas dentro de cualquier parte del cuerpo, busca atención médica de inmediato.

Las baterías deben desecharse de manera adecuada, manteniéndolas fuera del alcance de los niños. Incluso las celdas usadas pueden causar lesiones.

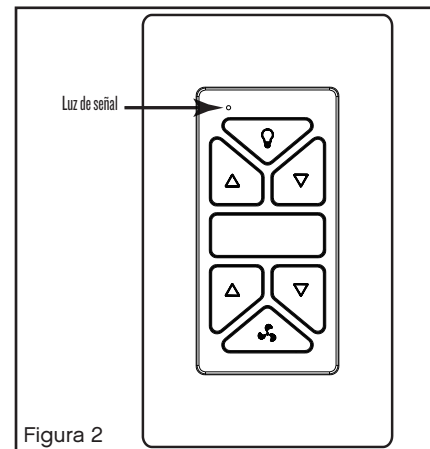
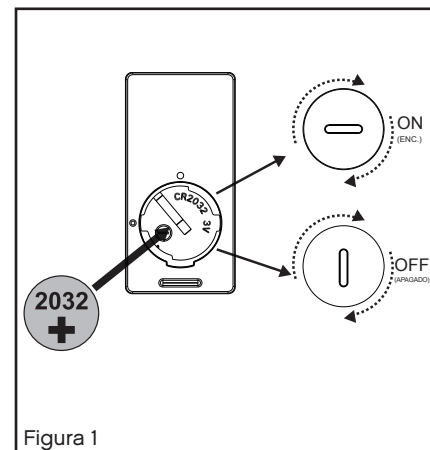
-  botón:
Presiona este botón y suéltalo instantáneamente para encender o apagar la luz.
-  botón:
Mantén presionado para atenuar o aumentar las luces al nivel deseado y suelta.
-  botón:
Presiona el botón para encender y configurar la velocidad del ventilador de 1 a 3.
-  botón:
Presiona este botón para encender/apagar el ventilador.
-  Luz de señal (Fig. 2)

Proceso de emparejamiento

NOTA: Si instalas/emparejas más de un ventilador en un área, se debe desconectar la alimentación de todos los ventiladores excepto del que se está emparejando.

Con el ventilador apagado, restablece la energía al ventilador. Mantén presionado el botón “” durante aproximadamente 3 segundos y suéltalo. Si se instala un juego de luces opcional, el juego de luces parpadeará una vez y las aspas comenzarán a girar. El ventilador completó el proceso de emparejamiento con el control de pared y está listo para usarse.

NOTA: Un solo ventilador se puede controlar con hasta 3 controles de pared en una habitación. Cada control deberá repetir el proceso de emparejamiento según las instrucciones anteriores y todos los controles deben estar a menos de 9.1 m (30 pies) del ventilador.

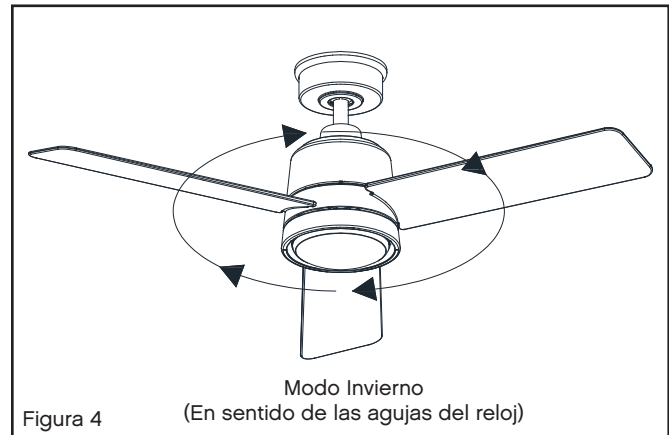
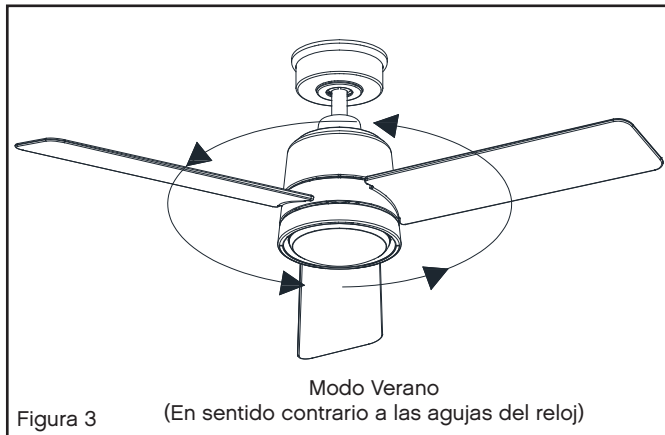


 **HIRO Sistema de control HIRO**

FUNCIONAMIENTO (continuación)

Funcionamiento en modo verano y modo invierno

- 1 IMPORTANTE:** Para evitar daños o causar lesiones, asegúrate de que el ventilador esté apagado y que las aspas hayan dejado de moverse por completo antes de intentar cambiar la dirección de rotación.
- 2 Desliza el interruptor de inversión (ubicado en la parte superior de la carcasa del motor, consulta la figura 3 en la página 7) hasta la posición opuesta y vuelve a encender el ventilador. Las aspas del ventilador girarán en sentido contrario e invertirán el flujo del aire.
- 3 **Modo Verano (adelante):**
Un flujo de aire HACIA ABAJO crea un efecto refrescante como se muestra en la Figura 3. Esto te permite configurar tu equipo de aire acondicionado a una temperatura más alta sin afectar tu comodidad.
- 4 **Modo Invierno (Reversa):**
Un flujo de aire HACIA ARRIBA mueve el aire más caliente fuera del área del techo como se muestra en la Figura 4. Esto te permite configurar la unidad de calefacción a una temperatura más baja sin afectar tu comodidad.



CUIDADO Y LIMPIEZA

Periódicamente puede ser necesario volver a apretar los tornillos del brazo del aspa o del brazo del aspa al motor para evitar un chasquido o un zumbido durante el funcionamiento. Esto es especialmente cierto en climas con amplios rangos de temperatura y humedad.

Al desempolvar las aspas, debes apoyarlas para evitar que se doblen; no se debe aplicar presión a las aspas. Si se experimenta alguna falla en el funcionamiento del ventilador, revisa los siguientes puntos.

SOLUCIÓN DE PROBLEMAS

PRECAUCIÓN:

Apaga la fuente de alimentación antes de realizar cualquiera de estas comprobaciones.

PROBLEMA

El ventilador no enciende

1. Comprueba los disyuntores y/o fusibles principales y secundarios.
2. Revisa las conexiones de los cables de línea hasta el cableado de la carcasa del ventilador. Asegúrate de que el interruptor de avance/retroceso esté en una u otra posición, no atascado en el medio.
3. Revisa para asegurarte que los interruptores en línea del transmisor y el receptor estén configurados en la misma frecuencia.

El ventilador hace ruido

1. Verifica y asegúrate de que todos los tornillos en la carcasa del motor estén ajustados (pero no demasiado apretados).
2. Verifica que los tornillos que sujetan los brazos de las aspas al motor estén apretados.
3. Comprueba que los conectores de cables en la caja del interruptor no hagan ruido entre sí o contra la pared interior de la caja del interruptor.
4. Verifica que toda la cristalería esté apretada con los dedos y que las bombillas estén bien sujetas en los portabombillas, si se usa un juego de luces.
5. Verifica que la cubierta esté firmemente sujeta al soporte colgante y que no vibre contra el techo.

El ventilador oscila

1. Revisa que todas las aspas estén firmemente atornilladas en los brazos de las aspas. Comprueba que todos los brazos de las aspas estén firmemente sujetos al motor.
2. Verifica para asegurarte de que el juego de luces (si está presente) esté firmemente conectado a la carcasa del interruptor y que toda la cristalería y las pantallas estén bien sujetas. La oscilación también puede ser resultado incluso de las desviaciones más pequeñas en la distancia entre punta y punta de aspas.
3. Si las medidas entre puntas de aspas no son iguales, afloja los tornillos que conectan el aspa al brazo del aspa uno a la vez y ajusta la(s) aspa(s) para que las distancias sean iguales.
4. El intercambio de aspas adyacentes puede redistribuir la masa y dar como resultado un mejor funcionamiento. Los brazos de las aspas se pueden doblar ligeramente para emparejar el paso de todas las aspas si un aspa es diferente a las otras aspas cuando se observan de canto.
5. La mayoría de las oscilaciones se pueden atribuir a una caja eléctrica suelta o a un soporte de montaje. Asegúrate de que estén apretados y que la esfera esté completamente asentada en el soporte.
6. Usa el kit de compensación de aspas adjunto si sigues notando oscilación.

ADVERTENCIA: Para reducir el riesgo de lesiones personales, no dobles el brazo de las aspas mientras instalas, equilibras las aspas o limpias el ventilador. No insertes objetos extraños entre las aspas giratorias del ventilador.

Control remoto Mal funcionamiento.

1. No conectes el ventilador con un control o controles de velocidad variable de montaje en pared.
2. Asegúrate de que los interruptores en línea estén configurados correctamente.

GUÍA DE CONSUMO DE ENERGÍA

ESPECIFICACIONES

INFORMACIÓN DE RENDIMIENTO PROMEDIO Y CONSUMO DE ENERGÍA



RENDIMIENTO ESPECIFICACIONES	ESTÁNDAR	
	VELOCIDAD ALTA	VELOCIDAD BAJA
Flujo de aire (CFM)	4767	2409
Consumo de energía (Vatios)	53.99	14.91
Eficiencia de flujo de aire (CFM/Vatios)	88	162
Costos de electricidad (Anual)	\$15	\$4
Amperios	0.46	0.24
RPMs	180	80

DESCARGA DE LA APLICACIÓN HINKLEY (VENDIDA POR SEPARADO)

OPCIONES DE VENTILADOR INTELIGENTE HINKLEY:

Además del control de pared incluido, puedes controlar tu ventilador Hinkley mediante la aplicación Hinkley.

- Para usar la aplicación Hinkley, descárguela gratis de App Store o Google Play.
- Abra la aplicación Hinkley donde se le pedirá que cree una cuenta.
- Ingrese toda la información necesaria para crear una cuenta.
- Después de crear la cuenta, recibirá un correo electrónico con el código de verificación para terminar de configurar la aplicación Hinkley (consulte la carpeta de correo no deseado si no se recibe el correo electrónico).
- Confirme que Bluetooth está habilitado para permitir que el ventilador y la aplicación Hinkley se conecten entre sí.
- Haga clic en agregar un dispositivo en la pantalla de inicio y seleccione el ventilador deseado.
- La aplicación Hinkley le pedirá que ingrese el nombre y la contraseña de WiFi.
- Haga clic en Listo en la aplicación Hinkley para completar la conexión del ventilador.
- La aplicación Hinkley tendrá opciones en la pantalla principal para la velocidad del ventilador, la atenuación y la configuración de temporizadores.
- Escanee el código QR a continuación para obtener más información sobre el funcionamiento de la aplicación Hinkley.



ESCANEAR PARA DETALLES ADICIONALES

HINKLEY ESTÁ ORGULLOSO DE PROPORCIONARTE VENTILADORES DE TECHO QUE MEJORAN TU ESPACIO CON COMODIDAD, PROPÓSITO Y ESTILO. COMO EMPRESA FAMILIAR, ESTAMOS COMPROMETIDOS CON EL DISEÑO, EL RENDIMIENTO Y LA CALIDAD, Y LO QUE ES IMPORTANTE PARA TI ES FUNDAMENTAL PARA NOSOTROS.

PARA UNA VARIEDAD COMPLETA DE NUESTROS PRODUCTOS Y LIBROS DE CONSULTA, VISITA [HINKLEY.COM](https://www.hinkley.com).

HINKLEY

GLOBAL HEADQUARTERS

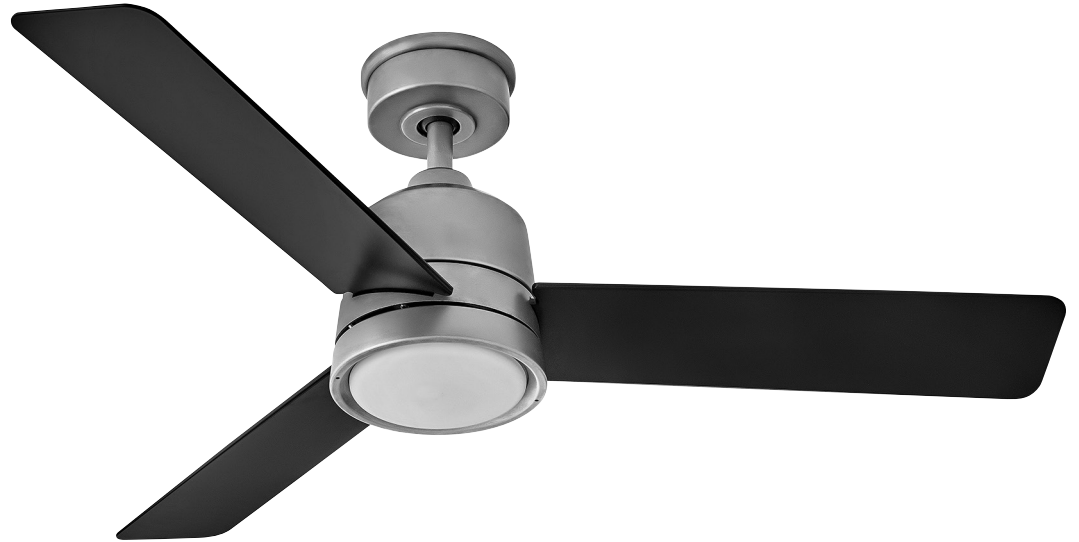
33000 Pin Oak Parkway | Avon Lake, Ohio 44012

T (440) 653 5500 | F (440) 653 5555 | hinkley.com

HINKLEY

CHET™ DE 122 CM

VENTILATEUR LED INTÉRIEUR / EXTÉRIEUR



WET



AC MOTOR



LED



HIRO
CONTROL

MODE D'EMPLOI POUR VENTILATEUR DE PLAFOND

NOUS VOULONS QUE VOUS APPRÉCIEZ VOTRE NOUVEAU VENTILATEUR,

ALORS NOUS SOMMES LÀ SI VOUS AVEZ DES QUESTIONS,
BESOIN D'AIDE OU SI VOUS VOULEZ DISCUTER DE NOS
PRODUITS. ENVOYEZ-NOUS AUSSI DES SUGGESTIONS,
CAR NOUS CHERCHONS TOUJOURS À CE QUE VOTRE
EXPÉRIENCE AVEC HINKLEY SOIT POSITIVE.

> **SERVICE@HINKLEY.COM**

> **1 800 HINKLEY**

> **DÉCOUVREZ LE STYLE HINKLEY : @HINKLEY**

#HINKLESTYLE

Ce guide contient des instructions complètes concernant
l'installation et le fonctionnement de ce ventilateur. Il a
été conçu pour faciliter le plus possible le processus
d'installation. Si vous êtes peu familier avec les méthodes
d'installation de câblage électrique, ou en cas de doute,
communiquez avec un électricien qualifié. Si vous avez
besoin d'assistance ou avez des questions, n'hésitez pas à
communiquer avec nous.

Visitez le site hinkley.com pour consulter les renseignements
relatifs à la garantie.

TABLE DES MATIÈRES

02	INSTRUCTIONS D'INSTALLATION ET D'UTILISATION GÉNÉRALES	10	INSTALLATION DU RÉCEPTACLE DU LUMINAIRE
03	CONSIGNES DE SÉCURITÉ IMPORTANTES	11	INSTALLATION DES AMPOULES À DEL ET DE L'ABAT-JOUR EN VERRE
03	OUTILS ET MATÉRIEL REQUIS	12	INSTALLATION DE LA COMMANDE MURALE
04	DÉBALLAGE DU VENTILATEUR	14	UTILISATION
05	PRÉPARATION	16	ENTRETIEN ET NETTOYAGE
05	INSTALLATION DU SUPPORT DE SUSPENSION	16	DÉPANNAGE
06	SUSPENSION DU VENTILATEUR	17	GUIDE ÉCONERGÉTIQUE
08	CONNEXIONS ÉLECTRIQUES	17	CARACTÉRISTIQUES
09	TERMINER L'INSTALLATION	18	APPLICATION HINKLEY/WIFI
10	INSTALLATION DES PALES		

AVERTISSEMENT:

Veillez lire et suivre et attentivement ces instructions. Tenez compte de toutes les mises en garde qui y figurent.

INSTRUCTIONS D'INSTALLATION ET D'UTILISATION GÉNÉRALES

- 1 Pour garantir le succès de l'installation, veuillez lire ces instructions et passer en revue les diagrammes de façon approfondie avant de commencer.
- 2 Afin d'éviter les chocs électriques, assurez-vous de couper l'alimentation électrique dans le panneau électrique principal avant de procéder au câblage. Tous les branchements électriques doivent être conformes aux codes et aux règlements locaux ou au Code national de l'électricité, selon le cas. Si vous ne connaissez pas bien ces méthodes d'installation des câbles et des produits électriques, ou en cas de doute, faites appel aux services d'un électricien accrédité qualifié, ainsi que d'une personne apte à vérifier la solidité des éléments de soutien du plafond et à procéder à l'installation et aux connexions appropriées.
- 3 **AVERTISSEMENT** : Pour réduire le risque d'incendie, de choc électrique ou de toute autre blessure, fixez le ventilateur uniquement à une boîte de sortie de courant ou à un système de support conçu(e) pour supporter un ventilateur de 15,9 kg (35 lb) ou moins, au moyen des vis de montage fournies avec la boîte de sortie de courant. La plupart des boîtes de sortie de courant utilisées couramment pour le support de luminaires ne conviennent pas aux ventilateurs. Il se peut qu'elles doivent être remplacées. En cas de doute, consultez un électricien qualifié.
- 4 Assurez-vous que le positionnement du ventilateur fait en sorte que les pales en rotation n'entrent en contact avec aucun objet dans la pièce. Les pales doivent se situer à au moins 2,13 m (7 pi) du plancher.
- 5 Les pales doivent être fixées une fois le boîtier du moteur suspendu et en place. Le boîtier du moteur du ventilateur doit être conservé dans son emballage jusqu'au moment de l'installation afin de protéger sa finition. Si vous installez plus d'un ventilateur de plafond, veuillez à ne pas mélanger les jeux de pales de ventilateur, car chaque pale est lestée pour son propre ventilateur.
- 6 Après avoir effectué les branchements électriques, retournez les conducteurs épissés vers le haut et insérez-les soigneusement dans la boîte de sortie de courant. Les fils doivent être écartés de façon que le conducteur commun et le conducteur de mise à la terre soient d'un côté de la boîte de sortie de courant, et les fils sous tension, de l'autre côté.
- 7 Les schémas électriques sont fournis à titre indicatif seulement. Les luminaires qui ne sont pas emballés avec le ventilateur doivent être homologués cUL et installés conformément au mode d'installation du luminaire.
- 8 Une fois que le ventilateur est complètement installé, vérifiez que toutes les connexions sont bien solides pour éviter que le ventilateur ne tombe, ou ne cause des dommages ou des blessures.
- 9 Le ventilateur peut être mis en service immédiatement après son installation : les roulements sont suffisamment graissés pour que, dans des conditions normales, aucune lubrification supplémentaire ne soit nécessaire pendant la durée de vie du ventilateur.
- 10 **ATTENTION** : N'avez pas les piles : risque de brûlure chimique. Gardez les piles, neuves et usagées, hors de la portée des enfants.
- 11 La télécommande est fournie avec une pile bouton. L'ingestion d'une pile bouton peut causer des brûlures internes graves et entraîner la mort en tout juste deux heures.
- 12 Si le compartiment à piles ne ferme pas complètement, cessez d'utiliser le produit et gardez le produit hors de portée des enfants.
- 13 Si vous soupçonnez qu'une personne a avalé une ou plusieurs piles, ou qu'elle les a placées à l'intérieur d'une partie quelconque de son corps, faites appel immédiatement à un médecin.
- 14 **AVERTISSEMENT** : Pour réduire les risques d'incendie ou d'électrocution, ce ventilateur ne devrait être utilisé qu'avec le dispositif de contrôle de la vitesse, pièce no MR161C, fabriqué par Chungear Industrial Co.,Ltd.
- 15 Remarque : Utilisation sécuritaire dans les endroits humides.

CONSIGNES DE SÉCURITÉ IMPORTANTES

AVERTISSEMENTS :

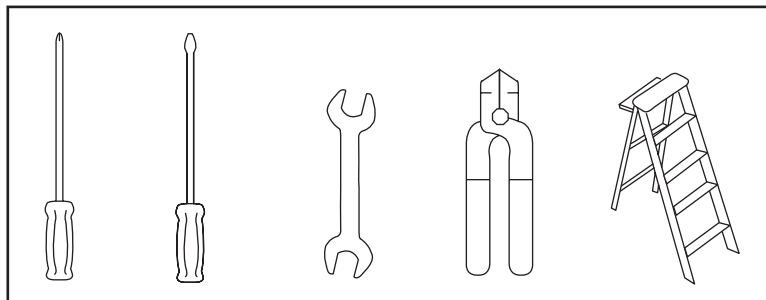
- Coupez l'alimentation électrique en retirant le fusible ou en déclenchant le disjoncteur avant d'installer le ventilateur ou le dispositif d'éclairage en option.
- Appui direct sur la structure du bâtiment.
- Pour réduire les risques d'incendie, d'électrocution ou de blessure, installez l'appareil sur une boîte de sortie de courant portant la mention « capable de supporter un ventilateur » et utilisez les vis de montage fournies avec la boîte de sortie de courant. La plupart des boîtes de sortie de courant utilisées couramment pour le support de luminaires ne conviennent pas aux ventilateurs. Il se peut qu'elles doivent être remplacées. En cas de doute, consultez un électricien qualifié.
- N'utilisez pas de gradateur pour lumière incandescente. N'utilisez pas ce ventilateur avec un dispositif de réglage de la vitesse du ventilateur de type transformateur.
- Pour réduire les risques de blessure, ne pliez pas les supports de pale pendant leur installation, l'équilibrage des pales ou le nettoyage du ventilateur. N'insérez aucun corps étranger entre les pales de ventilateur en rotation.

REMARQUE:

Les mesures de sécurité et les instructions de ce guide ne sont pas destinées à couvrir toutes les conditions et les situations possibles. Le bon sens, la prudence et les précautions sont des qualités qui ne peuvent être intégrées à ce produit. Il incombe aux personnes qui installent, entretiennent et utilisent cet appareil d'agir en fonction de ces qualités.

OUTILS ET MATÉRIEL REQUIS

- TOURNEVIS CRUCIFORME
- TOURNEVIS À TÊTE PLATE
- CLÉ OU PINCES
- COUPE-FILS
- ESCABEAU
- LES FOURNITURES DE CÂBLAGE, COMME L'EXIGE LE CODE ÉLECTRIQUE



DÉBALLAGE DU VENTILATEUR

DÉBALLEZ VOTRE VENTILATEUR ET VÉRIFIEZ LE CONTENU DE L'EMBALLAGE.

- Ne mettez pas la boîte au rebut. Si un remplacement ou une réparation sous garantie est nécessaire, le ventilateur doit être renvoyé dans son emballage d'origine. Sortez toutes les pièces et le matériel de la boîte. Ne posez pas le boîtier du moteur sur son côté, car son boîtier décoratif pourrait se déplacer, être tordu ou endommagé.
- Vérifiez toutes les pièces. Vous devriez avoir les articles suivants :

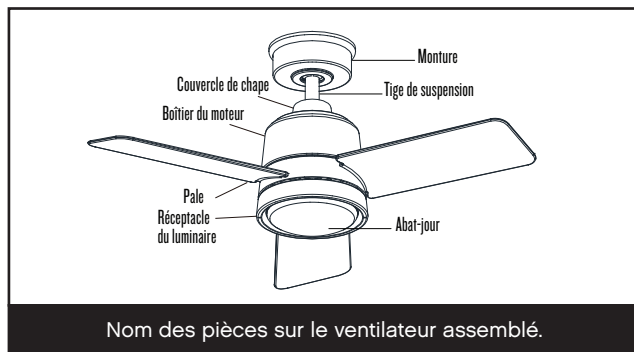
		CONTENU DE L'EMBALLAGE	
1	Support de suspension	CA904566FXX	
2	Monture de plafond		
3	Anneau de garniture		
4	Tige de suspension	DRK94014FXX	
5	Couvercle de chape	YC905236FXX	
6	Boîtier du ventilateur avec moteur		
7	Jeu de pales lot de 3	BL905248FXX	
8	Réceptacle du luminaire	AP905236FXX	
9	Module à DEL de 16 W	E905236LED	
10	Abat-jour	GL905236FR	
11	Récepteur, incluant les capuchons de connexion	CN905248	
12	Commande murale avec pile 2032, logement A, plaque murale, plaque frontale, vis de montage, logement B (pour une utilisation sur un mur plat uniquement).	980014FWH	
13	Sac de matériel inclus		
	Matériel pour support suspendu, Matériel pour câble de sécurité, Vis de pale, Jeu d'équilibrage de pale	MH905236	
REMARQUE : La conception des pièces présentées ci-dessus peut être légèrement différente, en fonction de votre modèle de ventilateur			xx=FINITION DU VENTILATEUR

PRÉPARATION

PRÉPARATION :

Assurez-vous d'avoir toutes les pièces avant de commencer l'installation. Inspectez la pâte à papier à la recherche de toute pièce manquante. Retirez toutes les pièces de l'emballage. Pour éviter d'endommager la finition, montez le moteur sur une surface douce et rembourrée ou utilisez le papier à pâte d'origine dans la boîte du moteur.

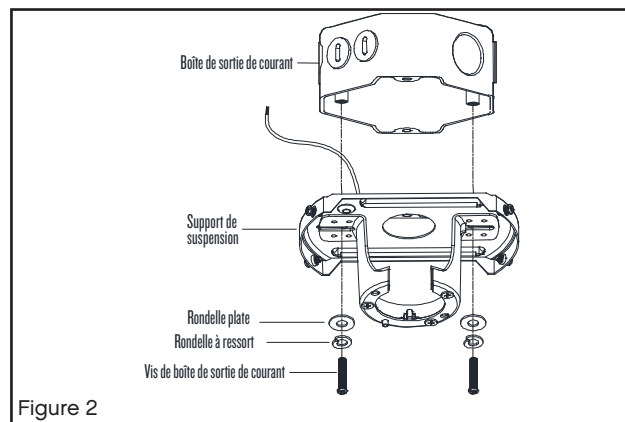
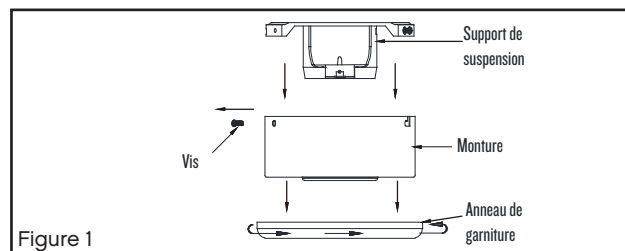
NE POSEZ PAS LE BOÎTIER DU MOTEUR SUR SON CÔTÉ, CAR CELA POURRAIT ENTRAÎNER UN DÉPLACEMENT DU MOTEUR DANS LE BOÎTIER DÉCORATIF.



INSTALLATION DU SUPPORT DE SUSPENSION

ATTENTION : Afin d'éviter les chocs électriques, assurez-vous de couper l'alimentation électrique dans le panneau électrique principal avant de procéder au câblage. Tout le câblage doit être conforme aux codes électriques locaux et au Code électrique national, et le ventilateur doit être mis à la terre pour éviter tout risque de choc électrique.

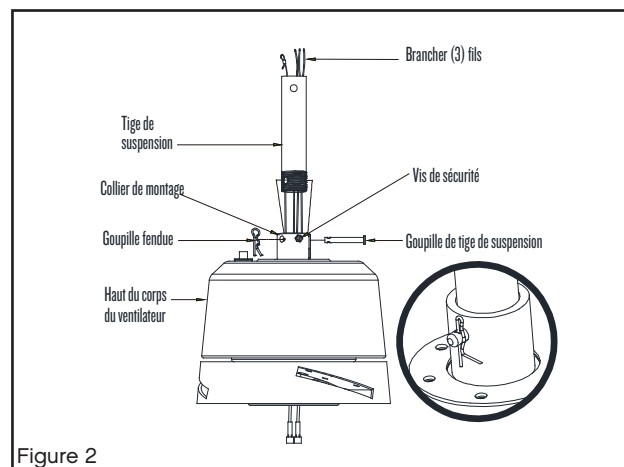
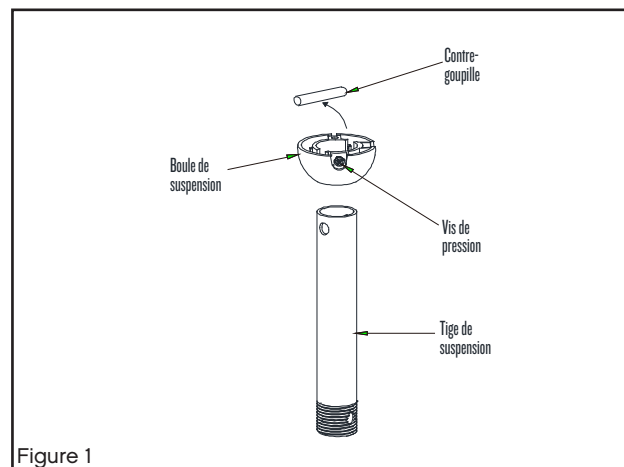
- 1 Localisez la solive du plafond où le ventilateur doit être monté, en vous assurant que l'emplacement correspond aux exigences de la section sur le dégagement minimum du présent guide. Les solives en bois doivent être saines et de dimension adéquate pour supporter 15,9 kg (35 lb) (reportez-vous à la page 2, points 3 et 4).
- 2 S'il n'y en a pas déjà une, installez une boîte de sortie homologuée cUL portant la mention « Peut supporter un ventilateur » en suivant les instructions fournies avec la boîte de sortie de courant. La boîte de sortie de courant doit être en mesure de supporter un minimum de 15,9 kg (35 lb) de façon sûre.
- 3 Retirez la monture du support de suspension. Retirez l'anneau de garniture à verrouillage rotatif en le faisant tourner dans le sens antihoraire. Retirez la vis de la monture qui n'a pas de fente. Desserrez la vis avec fente et retirez la monture.
- 4 Fixez le support de suspension sur la boîte de sortie de courant à l'aide des vis fournies avec la boîte de sortie de courant.



SUSPENSION DU VENTILATEUR

AVERTISSEMENT : Veillez à ce que la contre-goupille soit installée correctement sur la boule de suspension avec la tige de suspension.

- 1 Retirez la boule de suspension de la tige de suspension en desserrant la vis de pression située sur le côté de la boule de suspension. Faites glisser la boule de suspension vers le bas et retirez la contre-goupille de la boule. (Fig. 1)
- 2 Soulevez avec précaution le boîtier du ventilateur (moteur) dans son emballage, le collier de montage (où les fils sortent) tourné vers le haut.
- 3 Desserrez la vis de pression et retirez la goupille de la tige de suspension ainsi que la goupille fendue de l'accouplement sur le dessus du moteur. (Fig. 2)
- 4 Acheminez avec précaution les fils électriques et le câble de sécurité du ventilateur vers le haut et à travers la tige de suspension. Enfilez la tige de suspension dans l'accouplement jusqu'à ce que les trous s'alignent. Insérez la goupille de la tige de suspension dans les trous du collier de montage et de la tige de suspension; agrafez la goupille fendue dans le petit trou de l'extrémité de la goupille de la tige de suspension pour maintenir cette dernière en place.
- 5 Serrez fermement la vis de pression contre la tige de suspension à l'aide d'un grand tournevis à tête plate pour assurer un bon ajustement contre la tige de suspension. Serrez les écrous contre le collier de montage.



SUSPENSION DU VENTILATEUR (SUITE)

- 1 Faites glisser le couvercle de chape, l'anneau de garniture et la monture sur la tige de suspension. (Fig. 3)
- 2 Glissez la boule de suspension sur la tige de suspension, insérez la contre-goupille dans la tige de suspension et serrez. Serrez la vis de pression.

REMARQUE:

Le ventilateur comprend un fil de raccordement de 1,80 m (6 pi) au cas où vous utiliseriez une longue tige de suspension de rallonge.

- 3 Soulevez la boule, la tige de suspension et le ventilateur dans l'ouverture du support de suspension.

REMARQUE : La languette opposée à l'ouverture du support de suspension doit s'insérer dans la fente de la boule. (Fig. 4)

INSTALLATION DU CÂBLE DE SUPPORT DE SÉCURITÉ :

Fixez la vis à bois et la rondelle plate à la solive de plafond comme illustré (ne serrez pas complètement). Faites glisser le serre-câble sur le câble de sécurité du ventilateur. Enroulez le câble de sécurité autour de la vis à bois qui vient d'être fixée à la solive du plafond. Faites passer l'extrémité du câble dans la pince et tirez autant de câble que possible. Serrez fermement la vis dans la pince. Coupez l'excédent de câble.

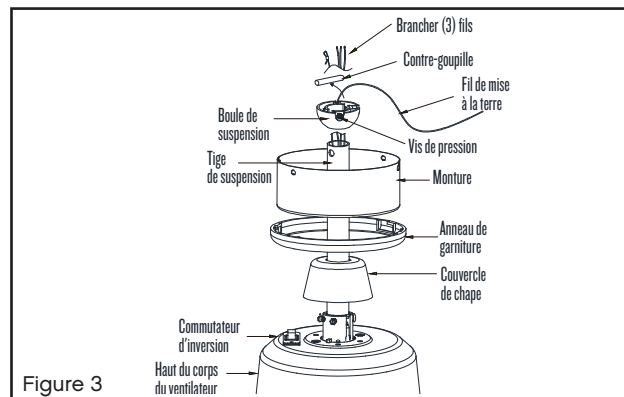


Figure 3

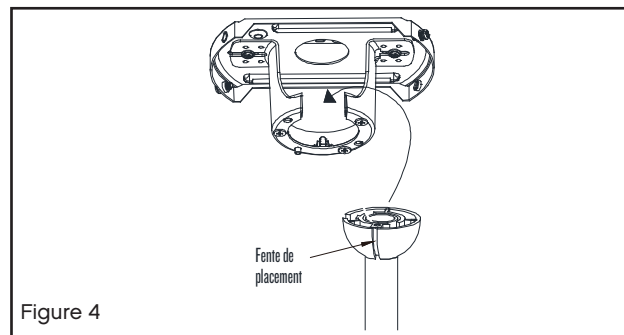


Figure 4

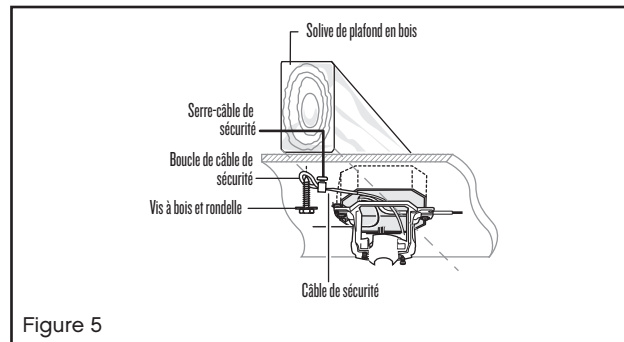


Figure 5

CONNEXIONS ÉLECTRIQUES

N'OUBLIEZ PAS : Coupez l'alimentation électrique!

REMARQUE : Le dispositif de commande doit être installé à moins de 9,14 m (30 pi) du ventilateur.

AVERTISSEMENT : Veillez à ce que toutes les connexions soient bien serrées, y compris les fils de mise à la terre, et à ce qu'aucun fil dénudé ne soit visible au niveau des capuchons de connexion (sauf le fil de mise à la terre).

ATTENTION : Pour réduire les risques de choc électrique, l'installation de ce ventilateur doit comprendre une commande ou un interrupteur mural(e) isolé(e).

1 Insérez le récepteur dans le support de suspension au plafond, le côté plat du récepteur faisant face au plafond. (Fig. 1)

2 Effectuez le branchement du câblage du ventilateur au récepteur. Pour cette étape, utilisez le faisceau de trois fils sur le récepteur. (Fig. 2)

Reliez le fil BLEU du ventilateur au fil BLEU du récepteur.

Reliez le fil NOIR du ventilateur au fil NOIR du récepteur.

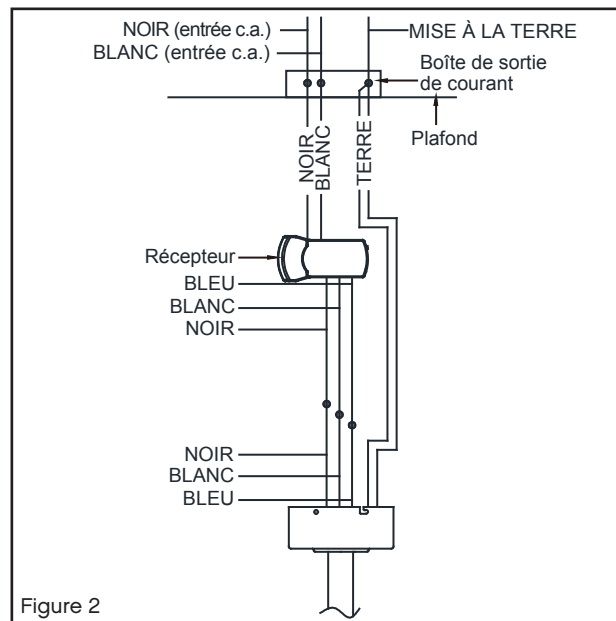
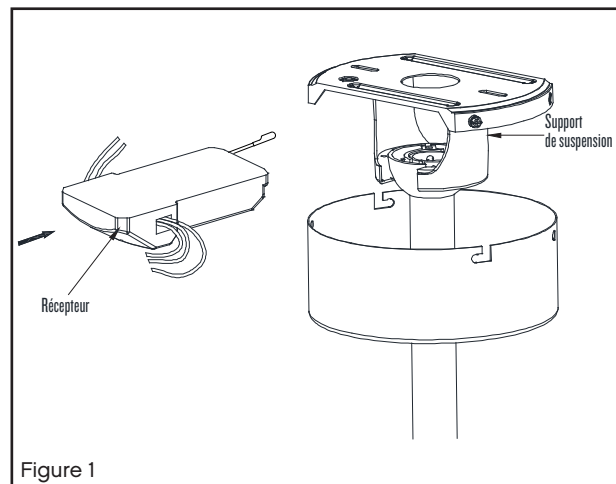
Reliez le fil neutre BLANC du ventilateur au fil neutre BLANC du récepteur.

3 Effectuez le branchement du câblage du plafond au récepteur. (Utilisez le faisceau de deux fils sur le récepteur.) Assurez-les avec les capuchons de connexion inclus.

Reliez le fil NOIR du bâtiment au fil NOIR du récepteur.

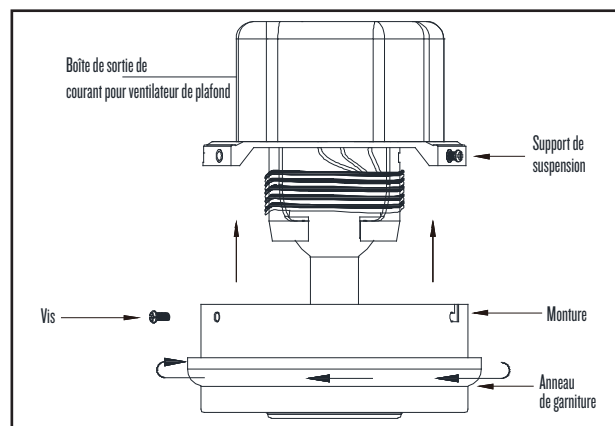
Reliez le fil neutre BLANC du récepteur au fil neutre BLANC du bâtiment.

Reliez le fil de mise à la terre CUIVRE du bâtiment aux deux fils de mise à la terre VERTS du ventilateur.



TERMINER L'INSTALLATION

- 1 Aligned les fentes de blocage de la monture au plafond et les deux vis du support de suspension. Poussez la monture pour engager les vis dans les fentes et tournez dans le sens horaire pour verrouiller le tout en place. Serrez immédiatement les deux vis de montage à fond.
- 2 Placez les deux autres vis de montage dans les orifices de la monture et serrez-les bien.
- 3 Installez l'anneau de garniture en alignant les fentes de l'anneau avec les vis de la monture. Tournez l'anneau de garniture dans le sens horaire pour le verrouiller en place.



AVERTISSEMENT:

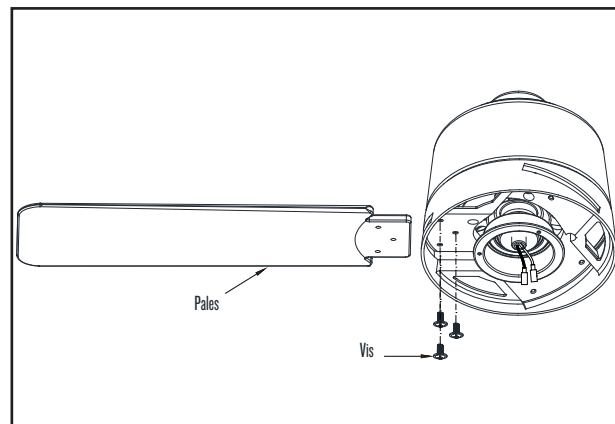
Assurez-vous que le crochet du support de suspension repose correctement dans le sillon de la boule de suspension avant de fixer la monture sur le support de suspension en tournant le boîtier jusqu'à se qu'il s'enclenche en place.

INSTALLATION DES PALES

REMARQUE:

Retirez les supports en caoutchouc qui ont été installés pour l'expédition.

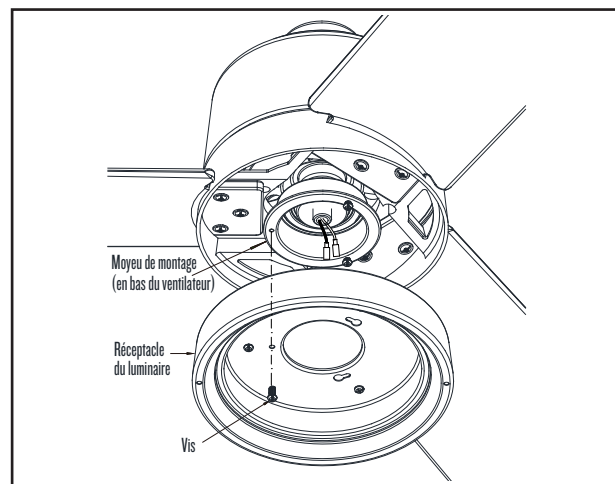
- 1 Fixez une pale au moteur du ventilateur en l'insérant dans les fentes sur le côté du moteur du ventilateur et en alignant les trois trous de vis de la pale aux trous correspondants, puis fixez-la solidement en place au moyen des vis.
- 2 Assurez-vous que toutes les vis sont bien serrées.
- 3 Répétez ces étapes pour les autres pales.



INSTALLATION DU RÉCEPTACLE DU LUMINAIRE

ATTENTION : Pour réduire les risques de choc électrique, débranchez le circuit d'alimentation électrique du ventilateur avant d'installer le luminaire.

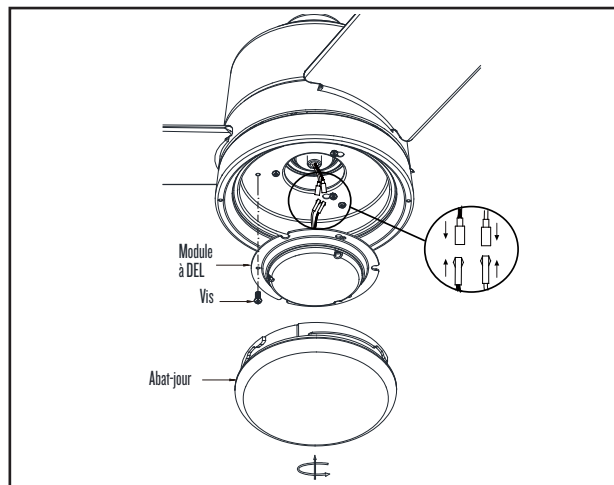
- 1 Desserrez, sans les retirer, deux des trois vis de montage du moteur du ventilateur, puis retirez une vis de montage.
- 2 Poussez le réceptacle du luminaire vers le haut jusqu'au moteur du ventilateur, de façon à ce que les deux têtes de vis desserrées tiennent dans les fentes en trou de serrure. Tournez le réceptacle du luminaire dans le sens horaire, puis serrez les vis. Réinsérez la vis qui a été retirée à l'étape 1 et serrez-la fermement.



INSTALLATION DU MODULE À DEL ET DE L'ABAT-JOUR EN VERRE

ATTENTION : Pour réduire les risques de choc électrique, débranchez le circuit d'alimentation électrique du ventilateur avant d'installer le luminaire.

- 1 Retirez une vis du réceptacle du luminaire, puis desserrez (mais ne retirez pas) les deux autres vis. Connectez les fils de l'adaptateur de luminaire aux fils provenant du moteur du ventilateur en branchant les fiches d'adaptation moulées ensemble. Insérez soigneusement tous les fils et les épissures dans le capuchon d'interrupteur.
- 2 Poussez le luminaire vers le haut, de façon à ce que les deux têtes de vis desserrées tiennent dans les fentes en trou de serrure. Tournez le luminaire dans le sens horaire, puis serrez les vis. Réinsérez la vis qui a été retirée à l'étape 1 et serrez-la fermement.
- 3 Placez l'abat-jour en verre sur le réceptacle du luminaire en alignant les trois parties plates en haut de l'abat-jour en verre avec les trois crans relevés du réceptacle du luminaire. Tournez l'abat-jour dans le sens horaire jusqu'à ce qu'il s'arrête.



INSTALLATION DE LA COMMANDE MURALE

N'OUBLIEZ PAS de couper l'alimentation électrique avant de commencer.

REMARQUE : 1. La commande doit être installée à moins de 30 pieds du ventilateur. 2. Se fixe à n'importe quelle surface ou application : mur plat, boîte simple, boîte multi-gang.

Option 1. Installation sur une surface plate

- 1 Choisissez l'endroit où vous souhaitez installer l'appareil. Marquez la position des trous de montage au moyen de la plaque murale. Vous aurez besoin d'ancrages muraux en plastique ou des vis de montage pour cette application. (Fig. 1)
- 2 Installez le logement B dans la plaque murale. Fixez solidement la plaque murale au mur au moyen du matériel fourni.
- 3 Emboîtez le couvercle de la plaque frontale sur le support mural.
- 4 L'émetteur à distance sera maintenu en place grâce à des aimants intégrés.

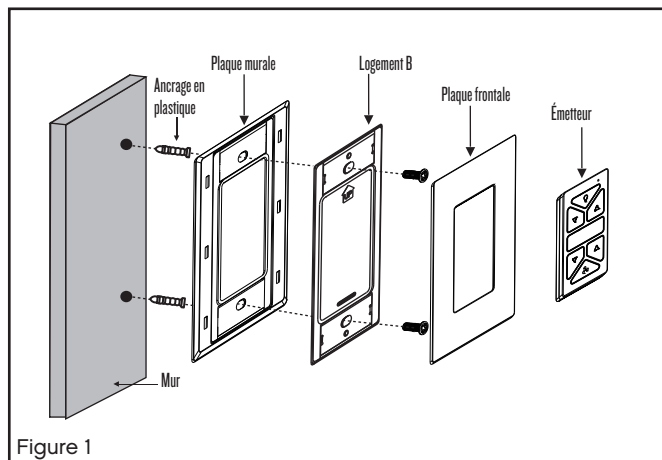


Figure 1

Dispositif de commande HIRO

Option 2. Boîte simple

- 1 Retirez la plaque murale existante et l'ancien interrupteur de la boîte de sortie de courant murale.
- 2 Installez le logement A dans la plaque murale. (Fig. 2)
- 3 Connectez les fils noirs de l'interrupteur du logement A aux fils noirs de la boîte d'interrupteur. Reliez le fil d'entrée sous tension à l'un des fils de sortie de l'interrupteur du logement A. Le fil d'alimentation du ventilateur doit être connecté au fil de sortie de l'interrupteur restant.
- 4 Installez la plaque murale et le logement A sur la boîte de sortie de courant murale à l'aide du matériel fourni.
- 5 Emboîtez le couvercle de la plaque frontale sur le support mural.
- 6 L'émetteur à distance sera maintenu en place grâce à des aimants intégrés.

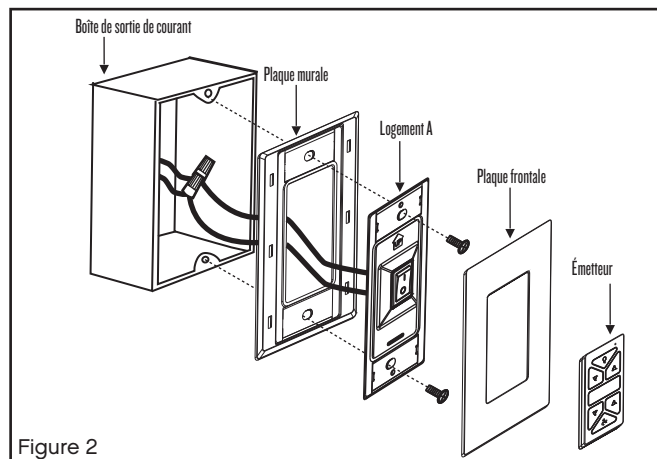


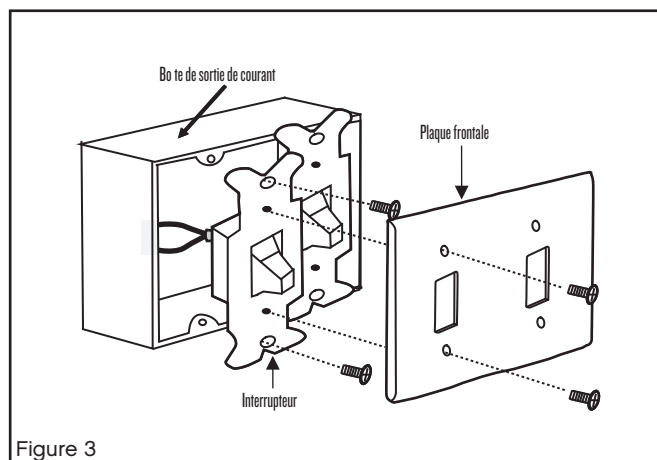
Figure 2

INSTALLATION DE LA COMMANDE MURALE (continué)

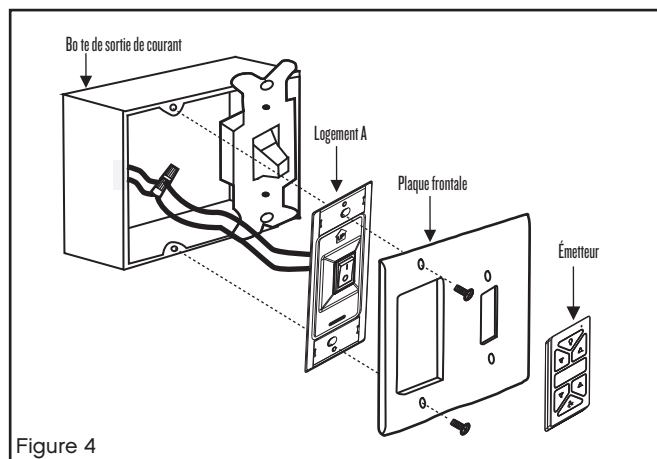
Option 3. Pour boîtier d'interrupteur mural multi-gang

- 1 Retirez la plaque murale existante et l'ancien interrupteur de la boîte de sortie murale. (Fig. 3)
- 2 Connectez les fils noirs de l'interrupteur du berceau A aux fils noirs du boîtier de l'interrupteur. Fil d'entrée sous tension vers l'un des fils de l'interrupteur du socle. Le fil d'alimentation du ventilateur est connecté au fil restant de l'interrupteur. (Fig. 4)
- 3 Fixez le socle A au boîtier de l'interrupteur mural à l'aide du matériel fourni.
- 4 Fixez la façade multi-gang (non inclus) à l'ensemble d'interrupteurs dans la boîte de prise murale. Berceau Un interrupteur Hinkley s'adaptera à n'importe quelle plaque frontale Decora standard.

REMARQUE : L'émetteur à distance sera maintenu en place avec des aimants intégrés.



HIRO Dispositif de commande HIRO



UTILISATION

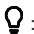



Retirez le panneau de l'émetteur, puis installez une pile 2032 (incluse). Vous devez utiliser une pièce de monnaie pour ouvrir ou fermer le couvercle du compartiment à piles. Pour éviter tout dommage possible à l'émetteur, retirez la pile si elle n'est pas utilisée pendant de longues périodes (Fig. 1).



AVERTISSEMENT : Risque de brûlure chimique. Gardez les piles hors de la portée des enfants.


Ce produit contient une pile bouton au lithium. L'ingestion d'une pile bouton au lithium, neuve ou usée, peut causer des brûlures internes graves et entraîner la mort en tout juste deux heures. Fermez toujours solidement le compartiment à piles. Si le compartiment à piles ne ferme pas complètement, cessez d'utiliser le produit, retirez les piles et gardez le produit hors de portée des enfants. Si vous soupçonnez qu'une personne a avalé une ou plusieurs piles, ou qu'elle les a placées à l'intérieur d'une partie quelconque de son corps, faites appel immédiatement à un médecin.

Les piles doivent être mises au rebut de manière appropriée en les gardant hors de la portée des enfants. Même usées, les piles boutons peuvent causer des blessures.

- 1 bouton  : Appuyez rapidement sur ce bouton, et la lumière s'allumera ou s'éteindra.
- 2 bouton  : Maintenez enfoncé ce bouton pour régler la luminosité souhaitée, puis relâchez-le.
- 3 bouton  : Appuyez sur le bouton pour allumer et régler la vitesse du ventilateur de 1 à 3.
- 4 bouton  : Appuyez sur ce bouton pour mettre le ventilateur en marche ou l'arrêter.
- 5 Lampe-témoin (Fig. 2)

Processus d'association

REMARQUE : Si vous installez ou associez plus d'un ventilateur dans une zone, l'alimentation doit être coupée sur tous les ventilateurs, sauf de celui qui est associé.

Rétablissez le courant au luminaire. Maintenez le bouton  enfoncé pendant 3 secondes, puis relâchez-le. Si le luminaire optionnel est installé, le kit d'éclairage clignotera une fois et les pales commenceront à tourner. Le ventilateur a terminé le processus d'association avec la commande murale et est prêt à être utilisé.

REMARQUE : Un ventilateur peut être contrôlé par trois commandes murales dans une même pièce. Pour chaque commande, vous devrez répéter le processus d'association selon les instructions ci-dessus. Toutes les commandes doivent se trouver à moins de 9,14 m (30 pi) du ventilateur.

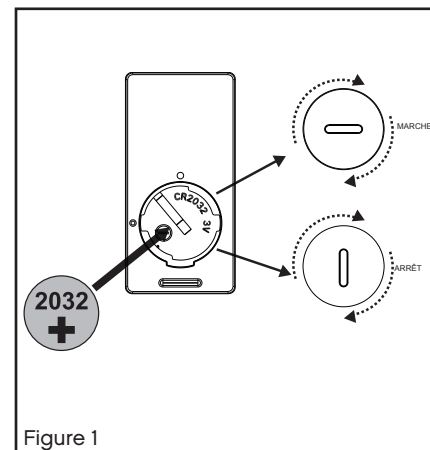


Figure 1

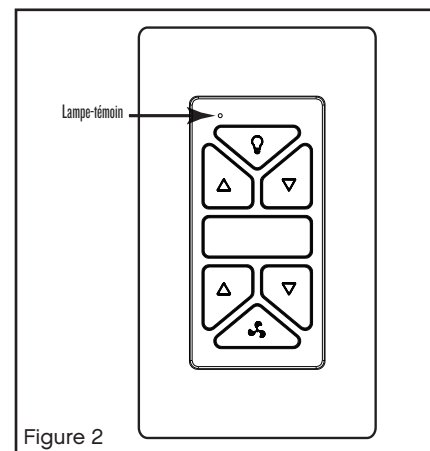


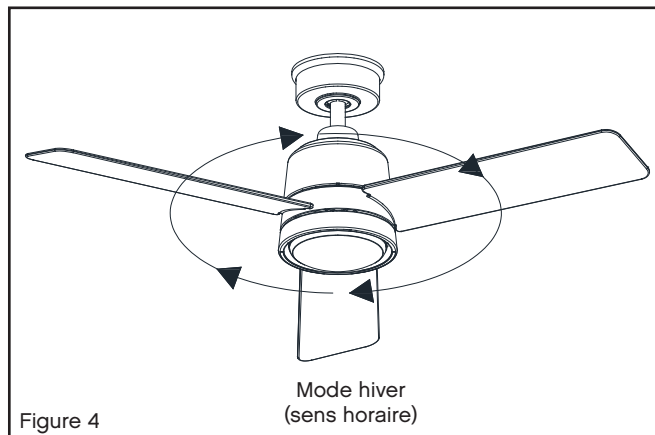
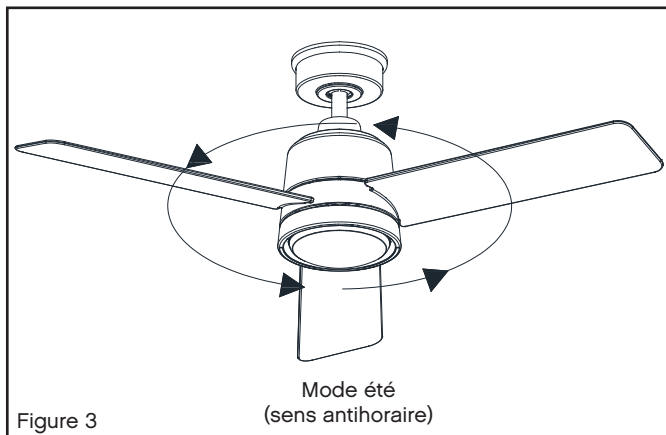
Figure 2

Dispositif de commande HIRO

UTILISATION (suite)

Fonctionnement en mode été et en mode hiver

- 1 IMPORTANT :** Pour éviter les dommages et les blessures, assurez-vous que le ventilateur est éteint et que les pales ont complètement cessé de bouger avant de tenter de changer le sens de rotation.
- 2 Glissez le commutateur d'inversion (situé au-dessus du boîtier du moteur, Figure 3 à la page 7) en position inverse, puis remettez le ventilateur en marche. Les pales du ventilateur tourneront dans le sens inverse et la direction du flux d'air sera inversée.
- 3 Mode été (marche avant) :
Un débit d'air DESCENDANT crée une sensation rafraîchissante, comme illustré dans la Figure 3. Ce mode permet d'utiliser un réglage de climatisation plus élevé sans nuire au confort.
- 4 Mode hiver (marche arrière) :
Un débit d'air ASCENDANT déplace l'air chaud du plafond, comme illustré dans la Figure 4. Ce mode permet d'utiliser un réglage de chauffage plus faible sans nuire au confort.



ENTRETIEN ET NETTOYAGE

Il peut être nécessaire de resserrer périodiquement les vis qui retiennent les pales aux supports de pales ou les vis des supports de pales au moteur pour éviter les cliquetis ou les bourdonnements pendant le fonctionnement. Cette précaution est particulièrement applicable dans les climats présentant de larges variations de température et d'humidité.

Lorsque vous dépoussiérez les pales, vous devez les soutenir pour éviter qu'elles ne se plient. Aucune pression ne doit être appliquée sur les pales. Si vous constatez des défaillances dans le fonctionnement de votre ventilateur, veuillez vérifier les points suivants.

DÉPANNAGE

ATTENTION:

Coupez l'alimentation électrique avant d'effectuer ces vérifications.

PROBLÈME

Le ventilateur ne se met pas en marche.

1. Vérifiez les fusibles ou disjoncteurs des circuits principaux et divisionnaires.
2. Vérifiez les connexions des fils de ligne au câblage du boîtier du ventilateur. Assurez-vous que le commutateur de marche avant-arrière est réglé sur l'une ou l'autre position, et non pas coincé entre les deux.
3. Vérifiez que les commutateurs DIP de l'émetteur et du récepteur sont réglés à la même fréquence.

Le ventilateur est bruyant.

1. Assurez-vous que toutes les vis du boîtier du moteur sont bien serrées (mais pas trop).
2. Vérifiez que les vis qui fixent les supports de pale au moteur sont bien serrées.
3. Vérifiez que les capuchons de connexion ne s'entrechoquent pas ou ne se battent pas contre la paroi intérieure du boîtier de l'interrupteur.
4. Vérifiez que toutes les pièces en verre sont bien serrées et que la ou les ampoules sont bien maintenues dans les douilles, si un luminaire est utilisé.
5. Vérifiez que la monture est fermement fixée au support de suspension et ne vibre pas contre le plafond.

Le ventilateur oscille.

1. Vérifiez que toutes les pales sont fermement vissées dans les supports de pale. Vérifiez que tous les supports de pale sont fermement vissés au moteur.
2. Vérifiez que le luminaire (le cas échéant) est fermement fixé au boîtier d'interrupteur et que toutes les pièces en verre et les abat-jour sont correctement fixés. L'oscillation peut également résulter de petits écarts de distance entre les extrémités des pales.
3. Si les mesures aux extrémités des pales ne sont pas égales, desserrez les vis reliant la pale à son support, une à la fois, et ajustez de manière à ce que les distances soient égales.
4. L'interchangeabilité des pales adjacentes peut redistribuer la masse et permettre un fonctionnement plus souple. Les supports de pale peuvent être légèrement pliés pour rétablir le même pas pour toutes les pales si l'une est différente des autres lorsqu'elle est vue de profil.
5. La plupart des oscillations peuvent être attribuées à une boîte électrique ou à un support de suspension desserré(e). Assurez-vous qu'ils sont bien serrés et que la boule est complètement installée dans le support.
6. Utilisez le nécessaire d'équilibrage des pales si les pales oscillent toujours.

AVERTISSEMENT : Pour réduire les risques de blessure, ne pliez pas les supports de pale pendant l'installation, l'équilibrage des pales ou le nettoyage du ventilateur. Ne placez pas d'objets entre les pales du ventilateur en rotation.

Défaillance de la télécommande.

1. Ne connectez pas le ventilateur à des commandes murales à vitesse variable.
2. Assurez-vous que les commutateurs DIP sont réglés à la bonne position.

RENDEMENT MOYEN ET INFORMATION SUR L'ÉNERGIE

GUIDE L'ÉNERGIE

**Estimation
du coût annuel de l'énergie**

\$10

\$3

▼

\$34

Gamme de prix de modèles similaires (19" - 84")

- Basé sur 12 cents par kWh et 6,4 heures d'utilisation par jour
- **Votre coût dépend des tarifs et de l'utilisation**
- Consommation d'énergie : 36 watts

Flux d'air

3,661

Pieds cubes par minute

- Plus le débit d'air est élevé, plus plus d'air le ventilateur se déplacera
- Efficacité du flux d'air : 101 pieds cubes par minute par watt

Toutes les estimations basées sur une utilisation typique, à l'exclusion des lumières ftc.gov/energy

CARACTÉRISTIQUES DE RENDEMENT	STANDARD	
	VITESSE ÉLEVÉE	VITESSE FAIBLE
Débit d'air (pi ³ /min)	4767	2409
Consommation (watts)	53.99	14.91
Rendement énergétique du débit d'air (pi ³ /min/W)	88	162
Coûts énergétiques (annuel)	\$15	\$4
Ampères	0.46	0.24
Tr/min	180	80

TÉLÉCHARGEMENT DE L'APPLICATION HINKLEY (VENDU SÉPARÉMENT)

OPTIONS DE VENTILATEURS INTELLIGENTS HINKLEY :

En plus de la commande murale incluse, vous pouvez contrôler votre ventilateur Hinkley via l'application Hinkley.

- Pour utiliser l'application Hinkley, téléchargez-la gratuitement sur l'App Store ou Google Play.
- Ouvrez l'application Hinkley où vous serez invité à créer un compte.
- Entrez toutes les informations nécessaires pour créer un compte.
- Une fois le compte créé, vous recevrez un e-mail de code de vérification pour terminer la configuration de l'application Hinkley (vérifiez le dossier spam si l'e-mail n'est pas reçu).
- Confirmez que Bluetooth est activé pour permettre au ventilateur et à l'application Hinkley de se connecter.
- Cliquez sur ajouter un appareil sur l'écran d'accueil et sélectionnez le ventilateur souhaité.
- L'application Hinkley vous demandera alors d'entrer le nom et le mot de passe WiFi.
- Cliquez sur terminé sur l'application Hinkley pour terminer la connexion du ventilateur.
- L'application Hinkley aura des options sur l'écran principal pour la vitesse du ventilateur, la gradation et le réglage des minuteries.
- Scannez le code QR ci-dessous pour plus d'informations sur le fonctionnement de l'application Hinkley.



SCANNEZ POUR PLUS DE DÉTAILS

HINKLEY EST FIER DE VOUS PROPOSER DES VENTILATEURS DE PLAFOND QUI EMBELLISSENT VOTRE ESPACE AVEC CONFORT, COMMODITÉ ET STYLE. EN TANT QU'ENTREPRISE FAMILIALE, NOUS METTONS L'ACCENT SUR LA CONCEPTION, LE RENDEMENT ET LA QUALITÉ. CE QUI EST IMPORTANT POUR VOUS EST PRIMORDIAL POUR NOUS.

POUR CONSULTER UN ASSORTIMENT COMPLET DE NOS PRODUITS ET DE NOS GUIDES DE RÉFÉRENCE, VISITEZ HINKLEY.COM.

HINKLEY

SIÈGE SOCIAL MONDIAL

33000 Pin Oak Parkway I, Avon Lake, Ohio 44012

Téléphone : 440 653-5500 | Télécopieur : 440 653-5555 | hinkley.com