

# HAMPTON

903056FBN-LID

HAMPTON 56" LED FAN

DETAILS	
FAN FINISH:	Brushed Nickel
GLASS:	Etched Acrylic Lens
BLADE COUNT:	5

DIMENSIONS	
WIDTH:	56"
HEIGHT:	17"
TOP TO OUTLET:	0"

LIGHT SOURCE	
VOLTAGE:	120v

MOUNTING	
CANOPY:	6" Dia.
LEAD WIRE:	1 x 76"



Hampton is a modern transitional design, offering the ultimate in urban sophistication. The minimal, rectangular frame, paired with a decorative acrylic etched bottom lens and sleek blades is softened by a contemporary off-white linen drum shade. Available in Metallic Matte Bronze with Walnut or Metallic Matte Bronze blades, Brushed Nickel with Walnut or Silver blades, Heritage Brass with Birch or Matte White blades, Hampton is perfect for any interior decor.

## PRODUCT DETAILS:

- This item includes a 6" down rod. Various lengths are available to customize the installation height.
- Suitable for use in dry (indoor) locations as defined by NEC and CEC. Meets United States UL Underwriters Laboratories & CSA Canadian Standards Association Product Safety Standards
- Meets California Energy Commission 2016 Title regulations/JA8
- This item may be hung on a sloped ceiling
- Fan Control included, Wall Control - 6 Speed Reversing
- Each customizable blade offers two finish options; simply reverse the blade to select your preferred finish.
- LED components carry a 5-year limited warranty
- Motor carries a lifetime warranty

# HINKLEY

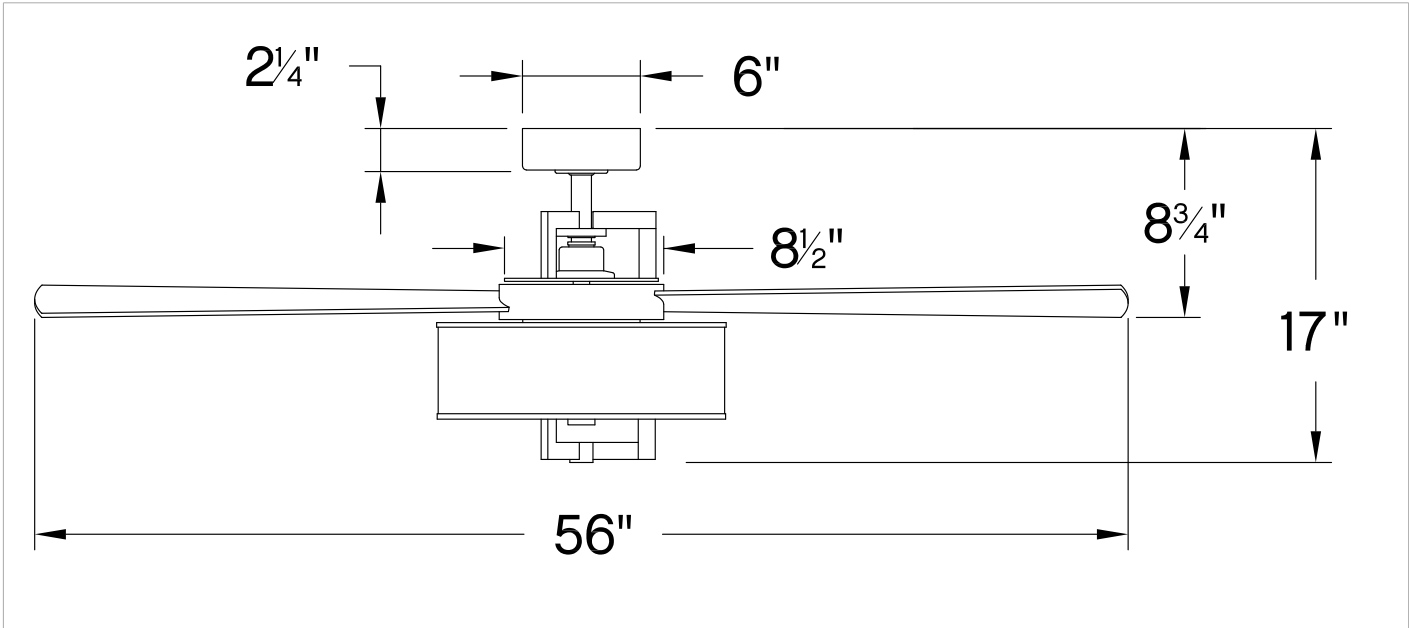
HINKLEY  
33000 Pin Oak Parkway  
Avon Lake, OH 44012

PHONE: (440) 653-5500  
Toll Free: 1 (800) 446-5539

[hinkley.com](http://hinkley.com)

# HAMPTON 56" LED FAN

903056FBN-LID



PERFORMANCE SPECIFICATIONS	STANDARD	
	HIGH SPEED	AVERAGE SPEED
Airflow	5233	3722
EnergyUse	30.1	18
EnergyCost	8	5
Efficiency	174	202
AMPS	0.41	0.23
RPMS	123	84

## AVERAGE PERFORMANCE AND ENERGY INFORMATION

### ENERGYGUIDE

Estimated  
Yearly Energy Cost  
**\$5**

▼

\$3 | | | \$34

Cost Range of Similar Models (19" – 84")

- Based on 12 cents per kWh and 6.4 hours use per day
- Your cost depends on rates and use
- Energy Use: 18 Watts

All estimates based on typical use, excluding lights

Airflow  
**3,722**  
Cubic Feet Per Minute

- The higher the airflow, the more air the fan will move
- Airflow Efficiency: 207 Cubic Feet Per Minute Per Watt

ftc.gov/energy

Airflow Shown is a Weighted Average of High and Low Cubic Feet per Minute Based on Downrod