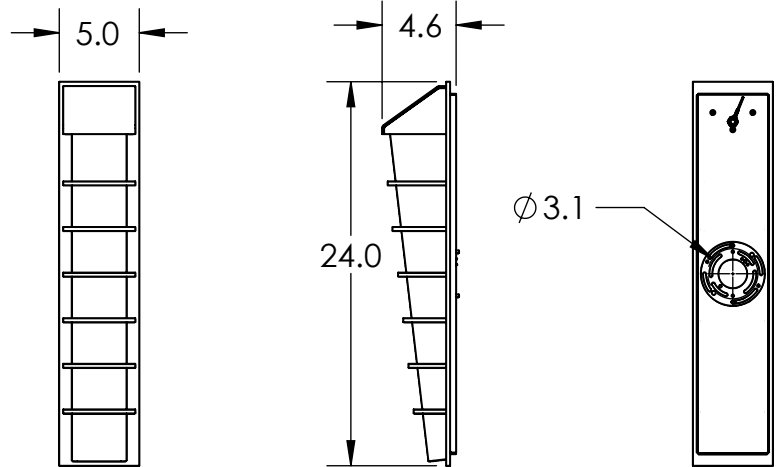


All dimensions are shown in inches unless otherwise stated.



Mounting Method: MOUNTS TO J-BOX

PRODUCT DESCRIPTION

A clean modern design that suits a wide range of architectural styles, the Mantle outdoor sconce pairs an intriguing silhouette with downward directed light diffused through slumped glass panels and crisp bands of precision metalwork. Aluminum construction, marine grade pre-treatment and AAMA 2604 powder coat finishes ensure long lasting beauty in all climates.

The Mantle sconce includes a lifetime warranty to the original purchaser.



SCAN FOR MORE INFORMATION

PRODUCT SPECIFICATION

Construction: Aluminum Body With Slumped Glass

Finish Options: **AG** **SB** **TB**

Glass Types: Frosted Seeded

Suspension Method: Wall Mount

Weight(lbs.): 18

UL Rating: Outdoor/Wet

Top Diffuser: Closed Metal

Bottom Diffuser: Open

Light Source: LED

Electrical Qty: 1

Wattage (Watts): 4

Voltage (Volts): 120

Source Lumens: 400

Dimming: Forward/Reverse Phase

CCT: 3000K

Driver Quantity & Location: N/A

CRI: 93+

Power Factor: >0.9

Notes:

GENERAL NOTES:

Visit studio.hammerton.com to read about our Lifetime Limited Warranty.

All Hammerton fixtures are handcrafted by artisans. Subtle imperfections reflect the mark of the artisan and should be expected in any handcrafted product. Dimensions may vary up to 7/8".

Rev **A** 1/13/2022