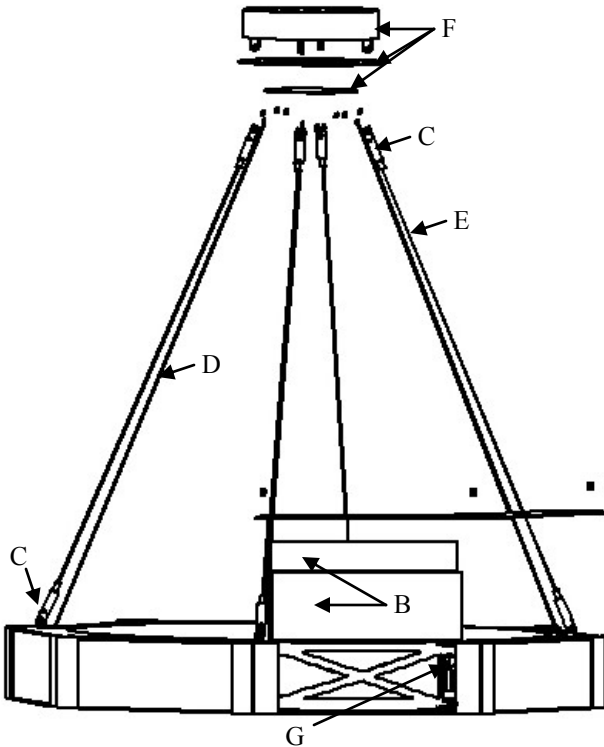


## Included Components

- A. Hardware Packet Z, with Instructions (Not Shown)
- B. Glacier Glass with Black Backer QTY 8
- C. Cable Grippers QTY 8
- D. Coax Cable QTY 3 (installed on body)
- E. Cable QTY 4
- F. Canopy with cover plates and LED drivers Installed
- G. Nylon Thumb Screws QTY 16 (for glass retention)

## Required Tools

- 1. Flat Head and Phillips screw driver (not provided)
- 2. Wire cutters/strippers (not provided)



EXAMPLE FIXTURE  
CHB0060-36

## Assembly Instructions

**Step 1:** Remove cover plates from canopy (J). There is an Octagonal pattern cut into the canopy (F). This will allow you to line up the fixture to the room easier. Mount the canopy with the provided hardware and instructions.

**Step 2:** Make wire connections from drivers to source power, **Black to Black** and **White to White**. Install the outer cover plate ring.

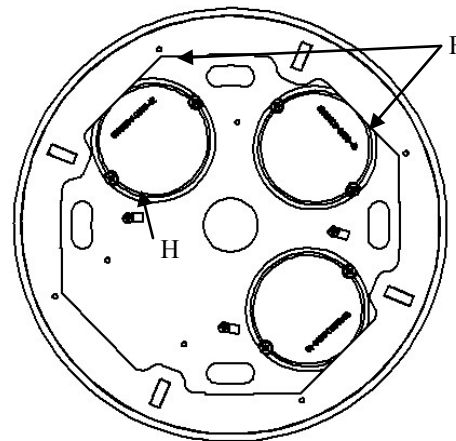
**Step 3:** Using a flat head screw driver. Install the Cable Grippers to the tabs on the canopy and the body of the fixture (K).

**Step 4:** starting with the canopy side loosen the Knurled Knob on the cable gripper and insert one end of the steel cable into the gripper. When you start to see the cable through the side of the gripper stop and tighten the knurled knob up. Repeat to remaining canopy grippers.

**Step 5:** Now loosen up the cable grippers on the fixture. Insert the cable and pull the excess through the gripper. Adjust the cables until the fixture is at the correct height and level. Tighten grippers up and trim excess cable with wire cutters

**Step 6:** Take the coax cable and insert through wire way in canopy just behind the gripper mount (G). Remove the cable loop from canopy (H) and slide over coax. Pulling the coax snug reinstall the cable loop to canopy. Repeat for the remaining cables. Make wire connections from the fixture to the LED driver (**one cable goes to one driver**). For wire connections see included instructions.

**WARNING: DO NOT CONNECT FIXTURE DIRECTLY TO SOURCE POWER OR THE LED WILL BE**

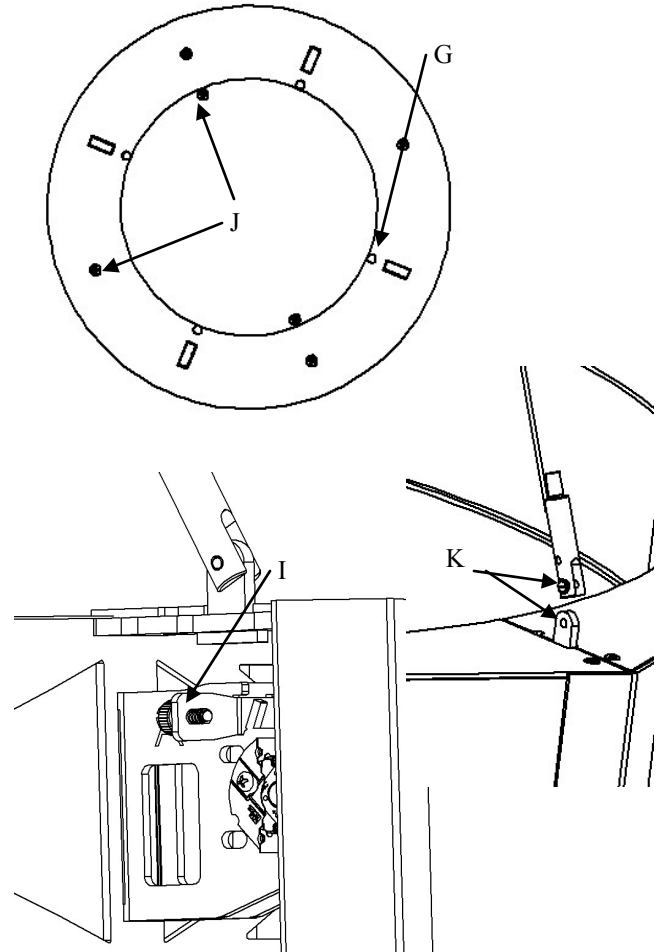


**Step 7:** after fixture has been tested for illumination reinstall the center cover plate.

**Step 8:** Installing the glass. On the top of the fixture there are 12 Phillips screws remove those and pull the cover plates off. Install the included thumb screws into the mounting tabs (I) only go until they start to protrude though tab.

**Step 9:** Carefully Grab the Glass (**the broken glass side can be sharp**) and Black Backer. Place the backer on the broken glass side and insert into fixture. Then tighten thumb screws to hold the glass in place. Repeat for remaining glass.

**Step 10:** Now reinstall cover plates back onto body. Leave the screws loose until you have all three screws in the cover plate. Then tighten them up repeat for remaining cover plates.



## About Hammerton Studio

### HAMMERTON STUDIO

In 2013, the Hammerton Studio brand was created to offer artisan-crafted, contemporary design solutions that are both versatile and accessible. Hammerton Studio fixtures add contemporary distinction to entries, great rooms and master suites, yet are cost-effective enough to use throughout any residential or commercial projects. Like all Hammerton fixtures, they are designed and fabricated in Salt Lake City, Utah using domestically sourced materials.

### POWERFUL DESIGN

Since 1992, Hammerton has been known for extraordinary decorative lighting that is boldly designed, expertly rendered, perfectly proportioned and exquisitely detailed. Each fixture exudes a design aesthetic that is timeless and enduring, yet remarkably relevant.

### UNCOMPROMISING CRAFTSMANSHIP

In addition to their exceptional metalworking and finishing expertise, Hammerton artisans share an aesthetic eye and a sculptural talent that define the difference between ordinary and extraordinary craftsmanship. Every fixture demonstrates its artisan's ability to elevate craft to an art form.

### UNIQUE MATERIALS

Hammerton's recent acquisition of the Lightspann brand has added unparalleled strength in all types of artisan glass, including hand-blown, slumped, fused, and lampworked glass. The combination of Hammerton's traditional metalworking and Lightspann glass allows steel, woven mesh, fabric and glass to be combined in a manner which cannot be duplicated

### A REPUTATION REFLECTED BY OUR CLIENTS

Hammerton fixtures are as extraordinary as the clients who purchase them, including Forbes 400 members, Fortune 500 leaders, award-winning entertainers, fashion and interior designers, sports legends, and leading luxury hospitality brands.

Hammerton  
217 Wright Brothers Drive  
Salt Lake City, UT  
84116

801-973-8095  
info@hammerton.com  
www.hammerton.com

## Warranty

### ONE YEAR LIMITED WARRANTY

Hammerton, Inc. (Hammerton) warrants the original owner that this product will be free of defects in material or workmanship for the period of one year from the date of original purchase from Hammerton, if (i) the allegedly defective product has not been abused, misused or improperly maintained and or repaired during the warranty period, (ii) the defect is not caused by water damage/flooding, fire, explosion, earthquakes or similar phenomenon, and (iii) the defect is not caused by improper installation (unless installed by Hammerton).

In order to obtain warranty service, the user must first complete a warranty claims form. Hammerton will determine if the product will be inspected on site or returned to Hammerton. If after the inspection Hammerton finds that the product is defective as claimed, Hammerton will, at its option, repair or replace the product free of charge, or Hammerton may in its sole discretion, refund the purchase price. Hammerton warrants any replaced or repaired products for ninety days after shipment or through the end of the original warranty period, whichever is longer. All products or parts that are replaced become the property of Hammerton. No representative or employee of Hammerton is authorized to make any modification or addition to this limited warranty.

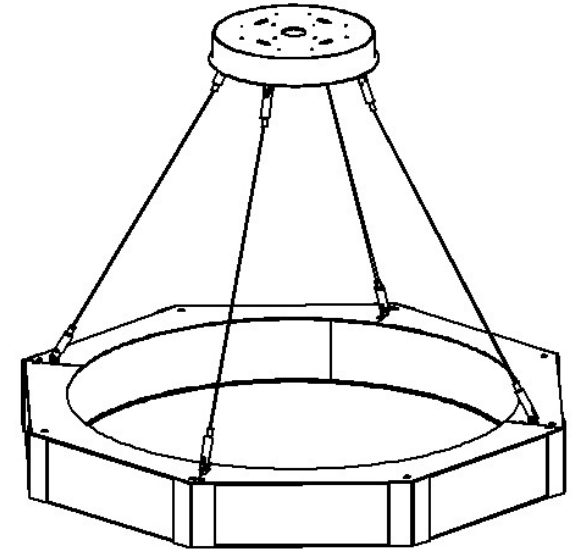
TO THE FULL EXTENT ALLOWED BY LAW, THE FOREGOING WARRANTY AND REMEDIES ARE EXCLUSIVE, AND HAMMERTON EXPRESSLY DISCLAIMS ALL OTHER WARRANTIES, EXPRESSED OR IMPLIED, INCLUDING WITHOUT LIMITATION THE IMPLIED WARRANTIES OF MERCHANTABILITY AND FITNESS FOR A PARTICULAR PURPOSE. TO THE FULL EXTENT ALLOWED BY LAW, HAMMERTON EXCLUDES AND DISCLAIMS LIABILITY, WHETHER BASED IN CONTRACT OR TORT (INCLUDING NEGLIGENCE FOR ANY CONSEQUENTIAL, INDIRECT INCIDENTAL OR SPECIAL DAMAGES OF ANY NATURE ARISING OUT OF THE SALE INSTALLATION, MAINTENANCE, USE OR FAILURE OF THIS PRODUCT, EVEN IF HAMMERTON HAS BEEN ADVISED OF THE POSSIBILITY OF SUCH DAMAGES IN ADVANCE, AND HAMMERTON LIMITS ITS LIABILITY TO REPLACEMENT, REPAIR OR REFUND OF THE PURCHASE PRICE PAID, AT HAMMERTON'S OPTION.)

SOME STATES DO NOT ALLOW LIMITATIONS ON HOW LONG AN IMPLIED WARRANTY LASTS AND/OR DO NOT ALLOW THE EXCLUSION OR LIMITATION OF INCIDENTAL OR CONSEQUENTIAL DAMAGES, SO THE ABOVE LIMITATION ON IMPLIED WARRANTY AND INCIDENTAL OR CONSEQUENTIAL DAMAGES MAY NOT APPLY TO YOU. THIS WARRANTY GIVES YOU SPECIFIC LEGAL RIGHTS YOU MAY HAVE OTHER RIGHTS, WHICH VARY FROM STATE TO STATE

# HAMMERTONSTUDIO™

## Assembly Instructions

CHB0060-36, CHB0060-48



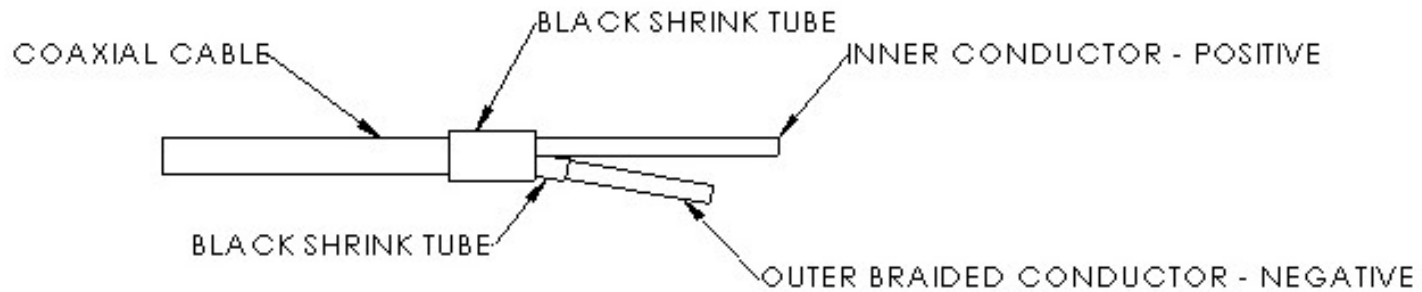
EXAMPLE FIXTURE  
CHB0060-36

**WARNING: FAILURE TO INSTALL THIS FIXTURE PROPERLY MAY RESULT IN SERIOUS PERSONAL INJURY OR DEATH AND PROPERTY DAMAGE.**

It is recommended that this product be installed by a licensed electrician.

### WIRING INSTRUCTIONS

1. USE THE SAMPLE SECTION OF COAX CABLE PROVIDED TO USE AS AN EXAMPLE FOR CREATING WIRE CONNECTION IN THE CANOPY
2. WHEN STRIPPING THE CLEAR OUTER INSULATOR OF THE COAXIAL CABLE USE THE 14 GA POSITION OF THE STRIPPERS
3. USE THE BLACK SHRINK TUBE PROVIDED TO CREATE THE END CONDITION SHOWN IN THE DIAGRAM BELOW
4. EACH DRIVER CONNECTS TO A COAXIAL CABLE FROM FIXTURE



**DIAGRAM OF END CONDITION TO CREATE FOR WIRING DRIVERS INSIDE OF THE CANOPY.**

