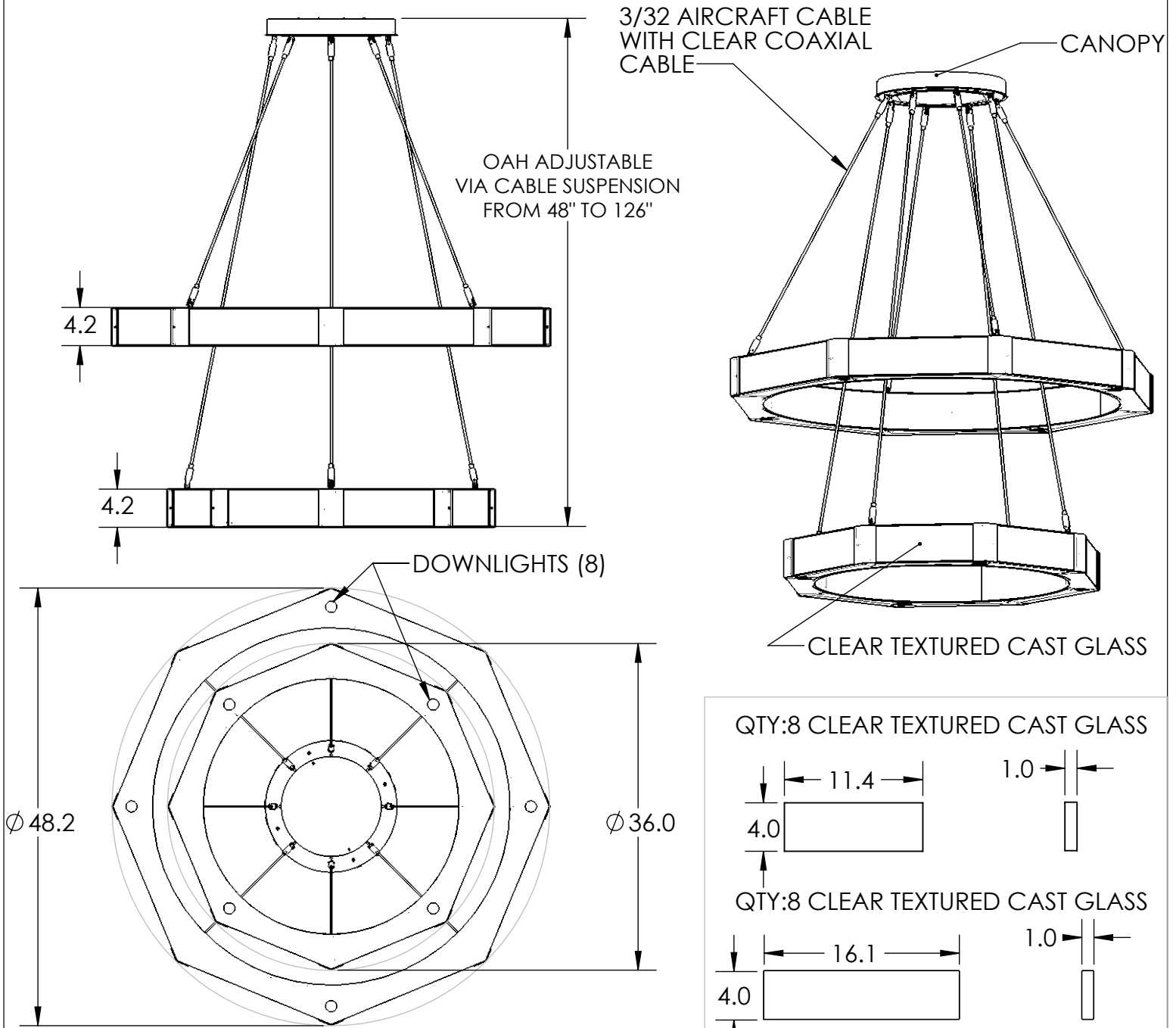


Collection: GLACIER

Product #: CHB0061-2B

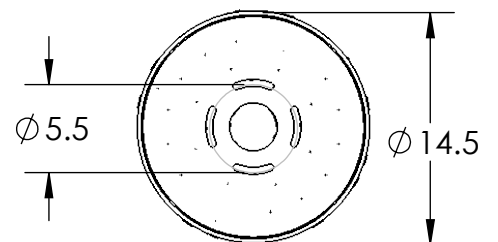


ALL DIMENSIONS ARE IN INCHES UNLESS OTHERWISE STATED  
 Visit [hammertonstudio.com](http://hammertonstudio.com) for product options and specifications.

5/14/2020 (A)

|                                  |                   |                                       |                           |
|----------------------------------|-------------------|---------------------------------------|---------------------------|
| Mounting Packet: A               | Weight(lbs.): 198 | Electrical Type: LED                  | CCT: 2700 K               |
| UL Location: DRY                 |                   | Elec. Qty: 40                         | Wattage: 126 Voltage: 120 |
| Finish: SEE WEB SITE FOR OPTIONS |                   | Lumens: Ambient: 2720                 | Down: 2720                |
| Top Diffuser: CLOSED METAL       |                   | Dimmable: Forward/Reverse Phase To 1% |                           |
| Bottom Diffuser: FROSTED ACRYLIC |                   | CRI: 93+                              | Power Factor: >0.9        |

Canopy Mounting Detail



All fixtures created by Hammerton are handcrafted by artisans. Dimensions may vary up to 7/8".  
 © Copyright 2020. All rights in design, detail or invention of this drawing are reserved as the property of Hammerton. Any imitation or adaptation without written consent is strictly prohibited.

MOUNTS TO BUILDING STRUCTURE