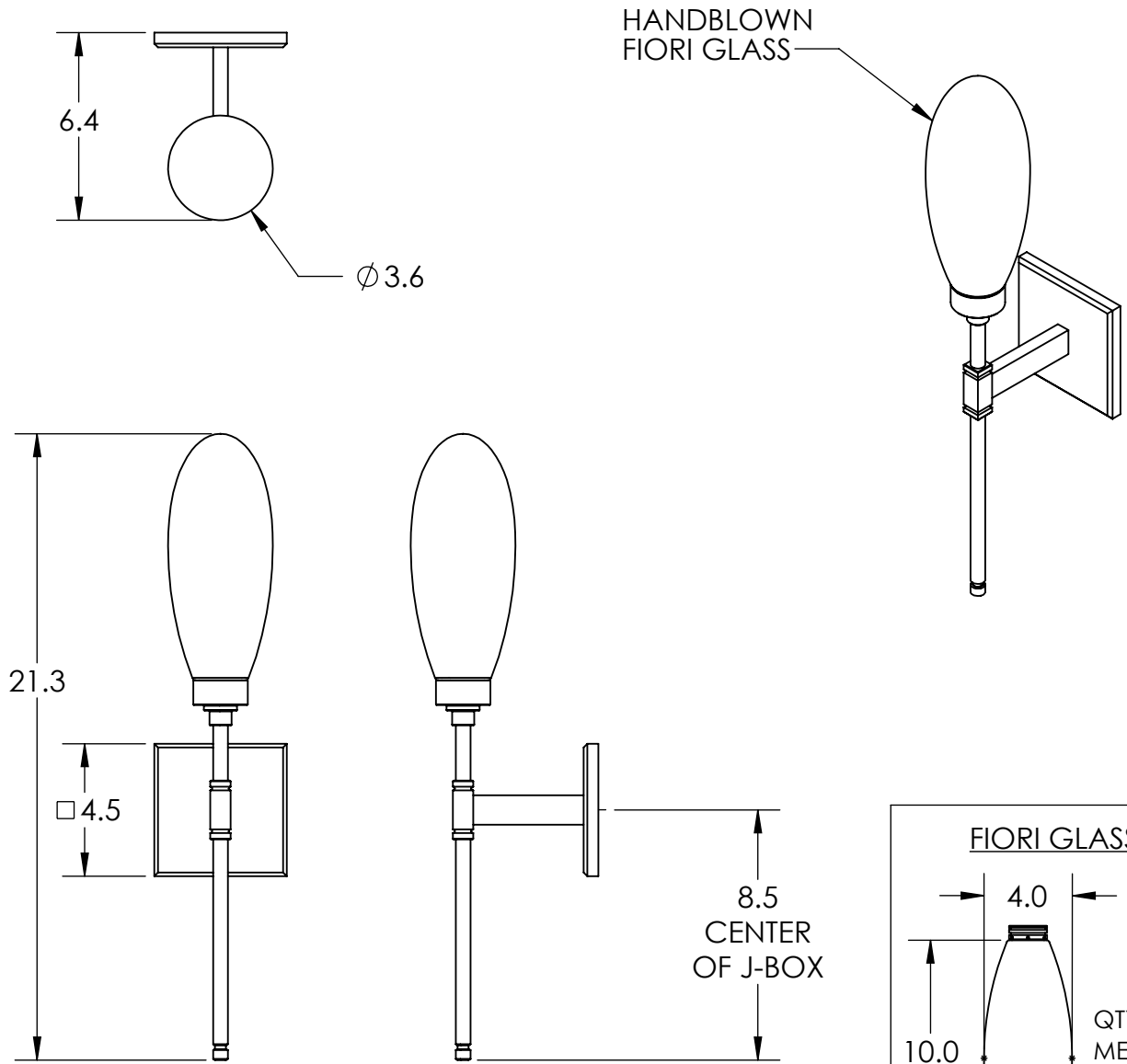


Collection: FIORI

Product #: IDB0071-21



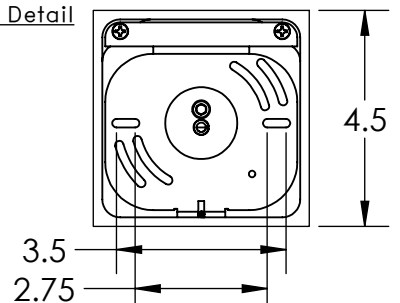
**\*\*NOTE\*\***  
 DRIVER TO BE INSTALLED IN JUNCTION BOX.  
 MINIMUM SIZE J-BOX REQUIRED IS  
 4" L X 4" W X 1.5" D

ALL DIMENSIONS ARE IN INCHES UNLESS STATED OTHERWISE  
 Visit [hammeronstudio.com](http://hammeronstudio.com) for product options and specifications.

12/21/2020 (A)

Mounting Packet: N	Weight(lbs.): 4	Electrical Type: LED	CCT: SEE WEBSITE
UL Location: DRY		Elec. Qty: 1	Wattage: 5.2 Voltage: 120
Finish: SEE WEB SITE FOR OPTIONS		Source Lumens: Up: 340	Down: N/A
Top Diffuser: CLOSED GLASS		Dimmable: Forward/Reverse Phase or 0-10V To 1%	
Bottom Diffuser: CLOSED METAL		CRI: 93+	Power Factor: >0.9

Mounting Detail



MOUNTS DIRECTLY TO J-BOX

All Hammerton fixtures are handcrafted by artisans. Subtle imperfections reflect the mark of the artisan and should be expected in any handcrafted product. Dimensions may vary up to 7/8".  
 © Copyright 2020. All rights in design, detail or invention of this drawing are reserved as the property of Hammerton. Any imitation or adaptation without written consent is strictly prohibited.