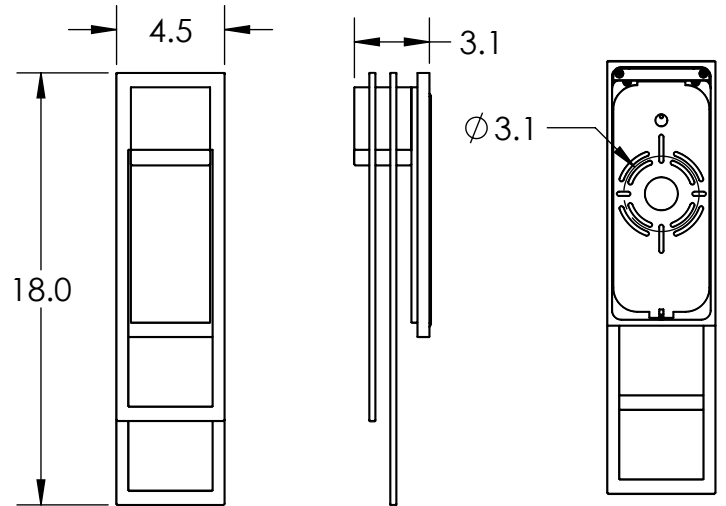


All dimensions are shown in inches unless otherwise stated.



Mounting Method: MOUNTS TO J-BOX

PRODUCT DESCRIPTION

The Cascade outdoor sconce combines a crisp linear design with eye-catching details. An intriguing artisan glass diffuser casts 3,000K LED light downward through cascading rectangles of precision-cut metalwork. Aluminum construction, marine grade pre-treatment and AAMA 2604 powder coat finishes ensure long lasting beauty in all climates.

The Cascade sconce is certified as Dark Sky Compliant by the International Dark Sky Association (IDA) and includes a lifetime warranty to the original purchaser.



SCAN FOR MORE INFORMATION

PRODUCT SPECIFICATION

- Construction: Aluminum Body With Cast Glass Diffuser
- Finish Options: AG SB TB
- Glass Types: Chilled Cast
- Suspension Method: Mount Wall
- Weight(lbs.): 6
- UL Rating: Outdoor/Wet
- Top Diffuser: Closed Metal
- Bottom Diffuser: Closed Glass
- Light Source: LED
- Electrical Qty: 1
- Wattage (Watts): 4
- Voltage (Volts): 120
- Source Lumens: 400
- Dimming: Forward/ Reverse Phase
- CCT: 3000k
- Driver Quantity & Location: N/A
- CRI: 93+
- Power Factor: >0.9

Notes:

GENERAL NOTES:

Visit studio.hammerton.com to read about our Lifetime Limited Warranty.

All Hammerton fixtures are handcrafted by artisans. Subtle imperfections reflect the mark of the artisan and should be expected in any handcrafted product. Dimensions may vary up to 7/8".

Rev A 1/13/2022