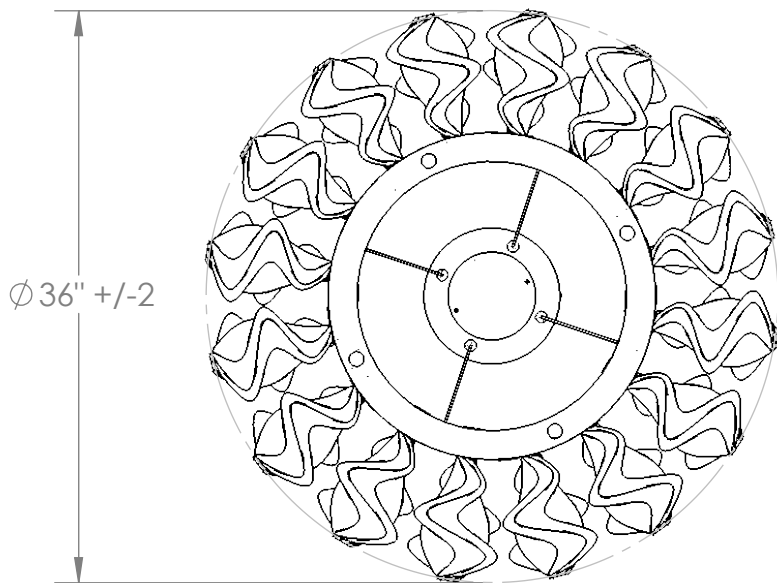
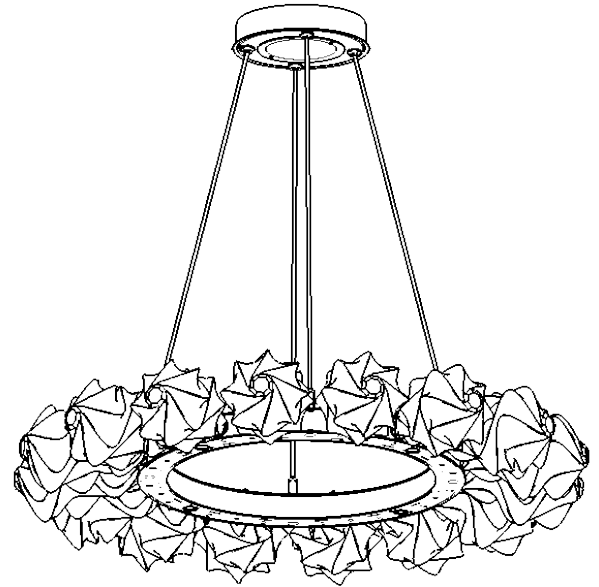
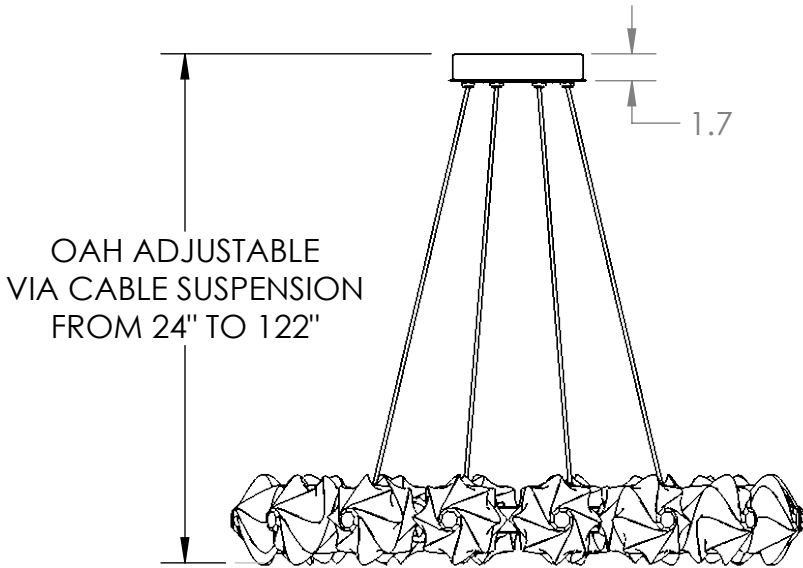


Collection: BLOSSOM

Product #: CHB0059-36



Visit [hammertonstudio.com](http://hammertonstudio.com) for product options and specifications.

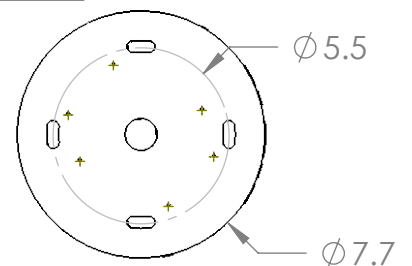
6/7/2019 (B)

Mounting Packet: Z	Weight(lbs.): 68	Electrical Type: LED	CCT: 2700 K
UL Location: DRY		Elec. Qty: 20	Wattage: 42
Finish: SEE WEB SITE FOR OPTIONS		Source Lumens: Up: 1949	Down: 1360
Top Diffuser: CLOSED METAL		Dimmable: Forward/Reverse Phase To 1%	
Bottom Diffuser: FROSTED ACRYLIC		CRI: 93+	Power Factor: >0.9

All fixtures created by Hammerton are handcrafted by artisans. Dimensions may vary up to 7/8".

© Copyright 2018. All rights in design, detail or invention of this drawing are reserved as the property of Hammerton. Any imitation or adaptation without written consent is strictly prohibited.

### Mounting Detail



MOUNTS TO BUILDING STRUCTURE