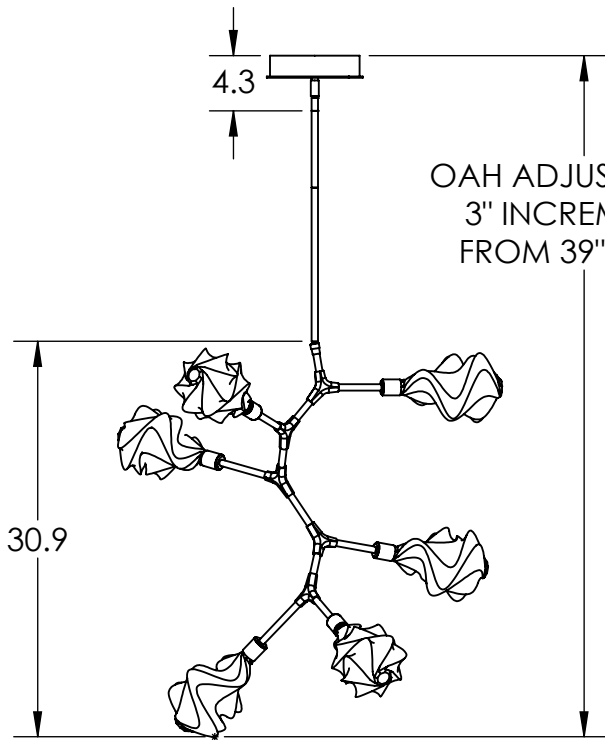
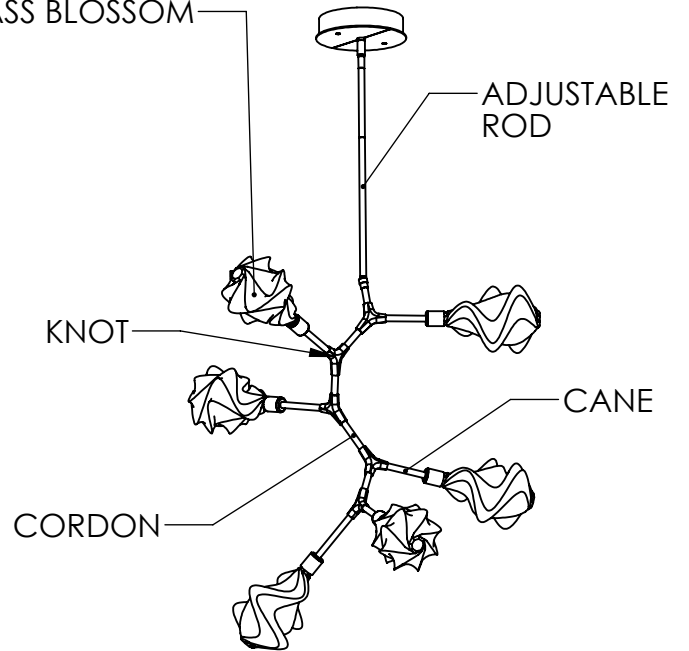


Collection: BLOSSOM

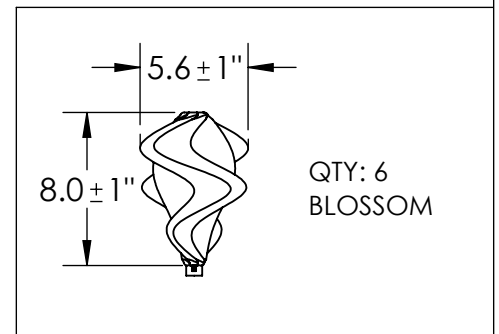
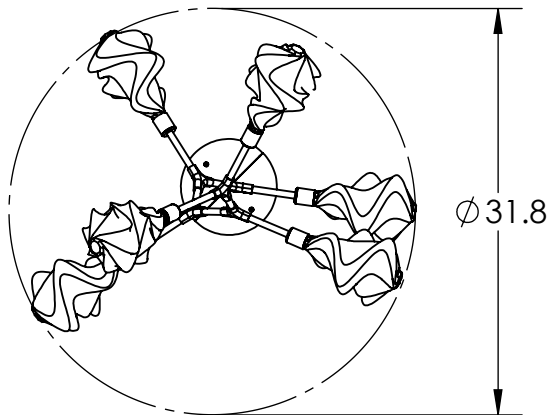
Product #: CHB0059-VA



HANDBLOWN GLASS BLOSSOM



DIMENSIONS OF THE FIXTURE MAY VARY BASED ON POSITION OF KNOTS

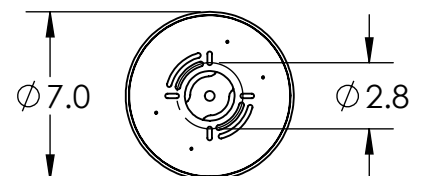


All dimensions are shown in inches unless otherwise stated. Visit hammertonstudio.com for product options.

10/3/2019 (A)

| | | | |
|----------------------------------|------------------|-----------------------------|--------------|
| Mounting Packet: T | Weight(lbs.): 27 | Electrical Type: LED | CCT: 2700 K |
| UL Location: DRY | Elec. Qty: 6 | Wattage: 16 | Voltage: 120 |
| Finish: SEE WEB SITE FOR OPTIONS | Source Lumens: | Ambient: 1080 | Down: ----- |
| Top Diffuser: CLOSED GLASS | Dimmable: | Forward/Reverse Phase To 1% | |
| Bottom Diffuser: CLOSED GLASS | CRI: 93+ | Power Factor: >0.9 | |

Canopy Mounting Detail



MOUNTS DIRECTLY TO J-BOX

All fixtures created by Hammerton are handcrafted by artisans. Dimensions may vary up to 7/8".
 © Copyright 2019. All rights in design, detail or invention of this drawing are reserved as the property of Hammerton. Any imitation or adaptation without written consent is strictly prohibited.

Hammerton Inc. 217 Wright Brothers Dr. Salt Lake City, UT 84116 (801)973-8095