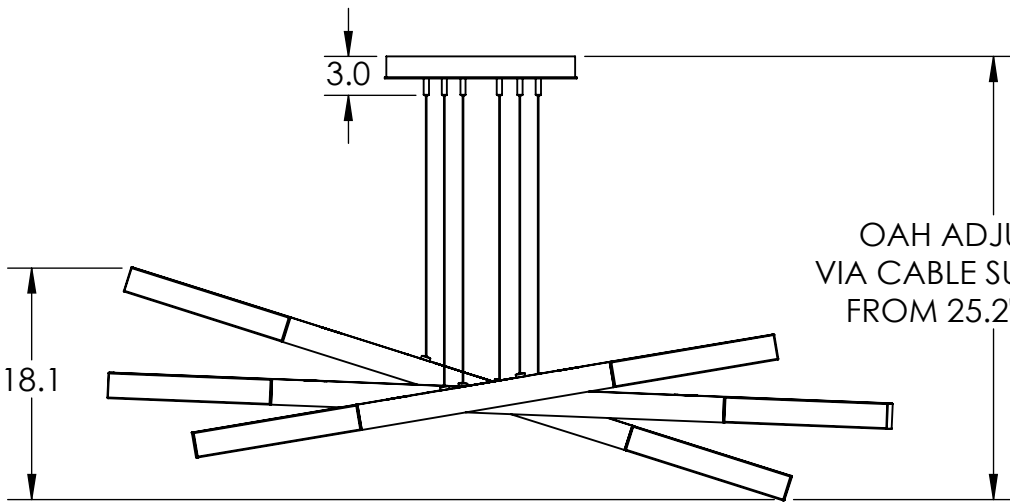
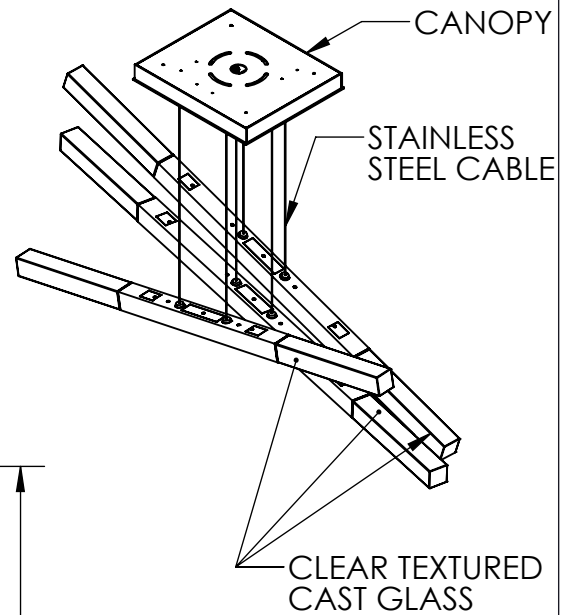
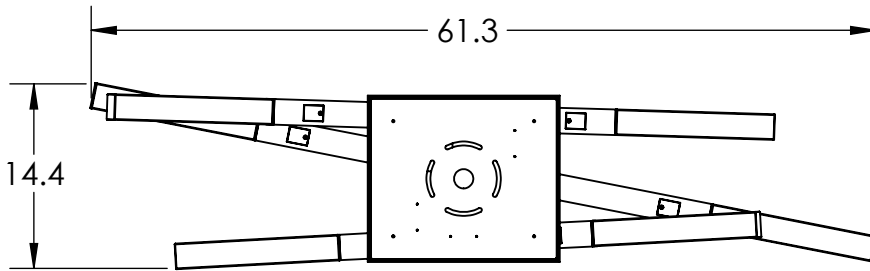
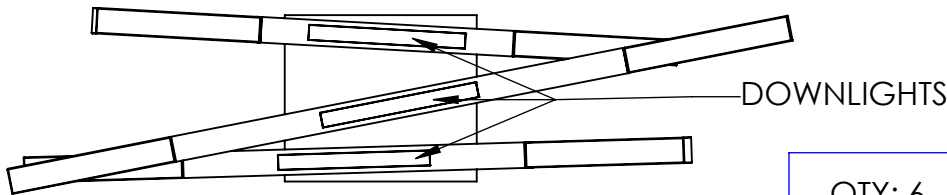


Collection: AXIS

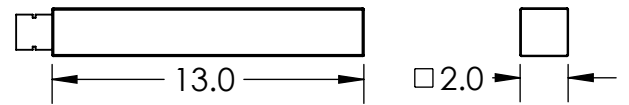
Product #: PLB0060-3T



OAH ADJUSTABLE
VIA CABLE SUSPENSION
FROM 25.2" TO 144"



QTY: 6 - CLEAR TEXTURED CAST GLASS

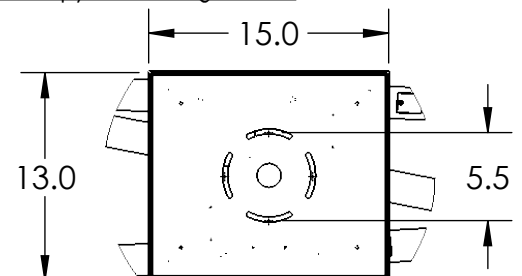


All dimensions are shown in inches unless otherwise stated.
Visit hammertonstudio.com for product options.

8/17/2020 (A)

Mounting Packet: R	Weight(lbs.): 63	Electrical Type:LED	CCT:2700 K OR 3000 K
UL Location: DRY	Elec. Qty: 18	Wattage: 48	Voltage: 120
Finish: SEE WEB SITE FOR OPTIONS	Source Lumens: Ambient:3240	Down:2160	
Top Diffuser: N/A	Dimmable: Forward/Reverse Phase to 1%		
Bottom Diffuser: Frosted Acrylic	CRI: 93+	Power Factor: >0.9	
All Hammerton fixtures are handcrafted by artisans. Subtle imperfections reflect the mark of the artisan and should be expected in any handcrafted product. Dimensions may vary up to 7/8".			
© Copyright 2020. All rights in design, detail or invention of this drawing are reserved as the property of Hammerton. Any imitation or adaptation without written consent is strictly prohibited.			
Hammerton Inc. 217 Wright Brothers Dr. Salt Lake City, UT 84116 (801)973-8095			

Canopy Mounting Detail



MOUNTS TO J-BOX AND CEILING