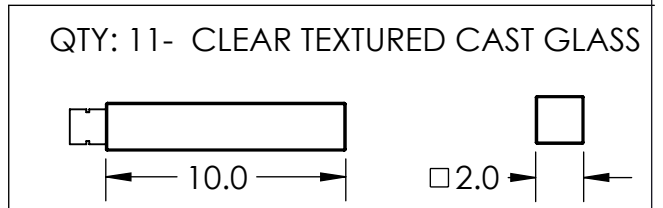
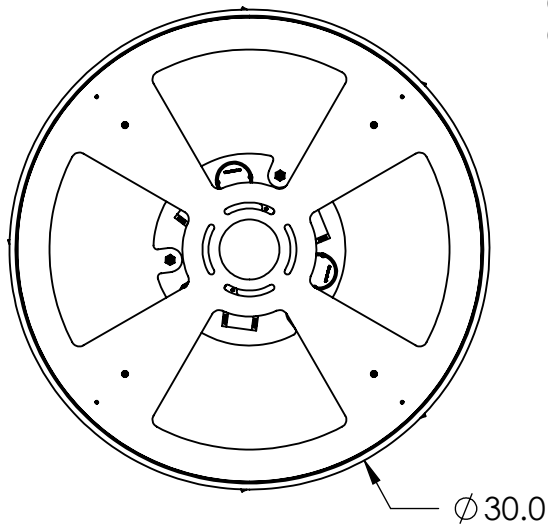
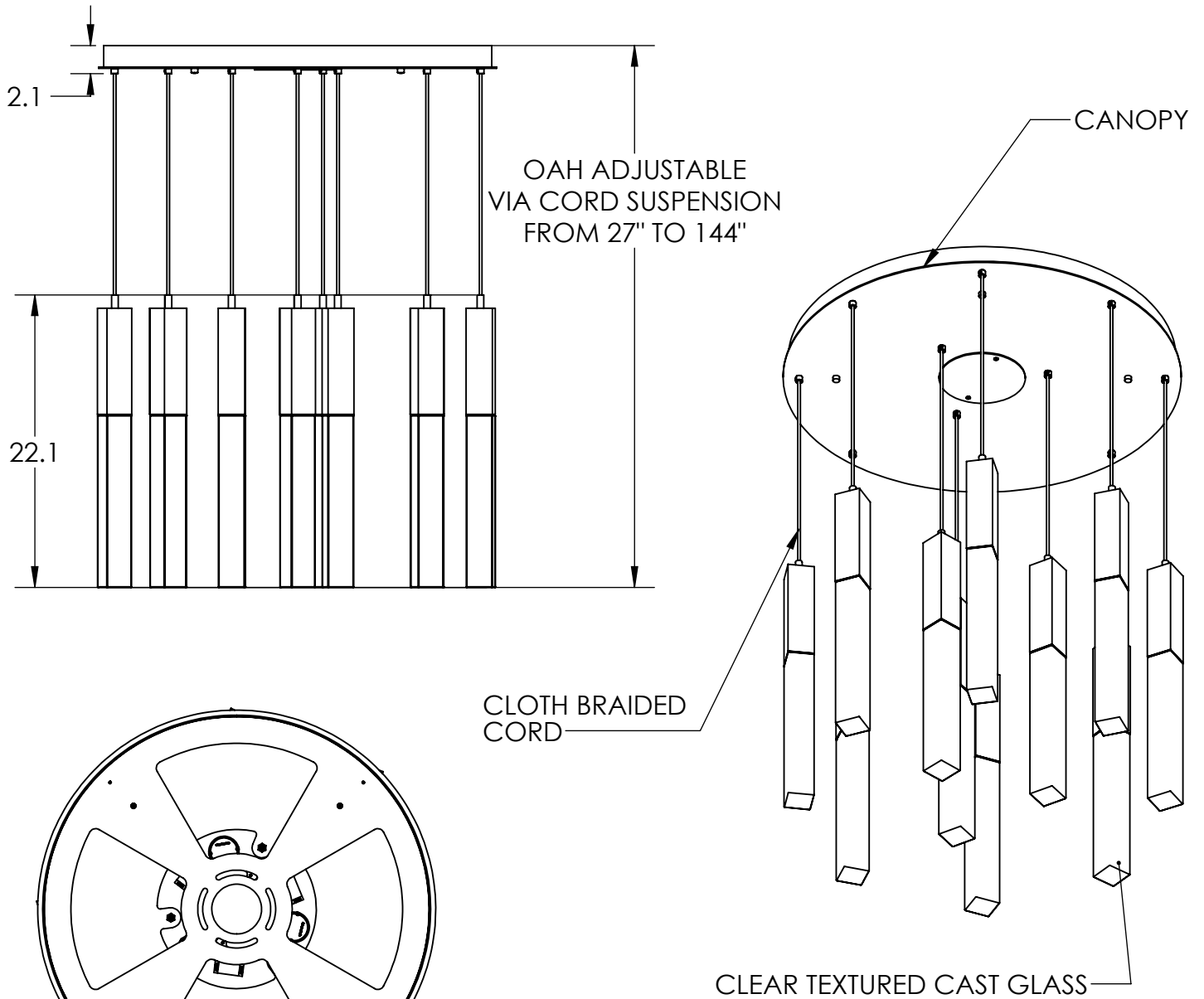


Collection: AXIS

Product #: CHB0060-11



Visit [hammertonestudio.com](http://hammertonestudio.com) for product options and specifications.

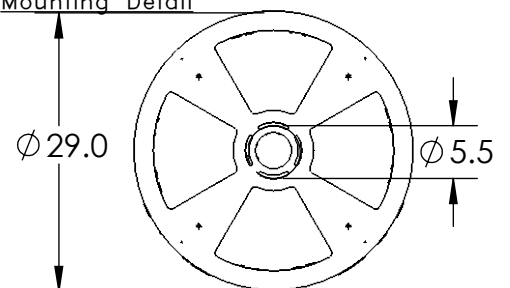
1/6/2020 (A)

Mounting Packet: R	Weight(lbs.): 105	Electrical Type: LED	CCT: 2700 K
UL Location: DRY	Elec. Qty: 11	Wattage: 43	Voltage: 120
Finish: SEE WEB SITE FOR OPTIONS	Source Lumens:	Ambient: 3764	Down: 0
Top Diffuser: N/A	Dimmable: Forward/Reverse Phase To 1%		
Bottom Diffuser: CAST GLASS	CRI: 93+	Power Factor: >0.9	

All fixtures created by Hammerton are handcrafted by artisans. Dimensions may vary up to 7/8".

© Copyright 2020. All rights in design, detail or invention of this drawing are reserved as the property of Hammerton. Any imitation or adaptation without written consent is strictly prohibited.

### Mounting Detail



MOUNTS TO BUILDING STRUCTURE