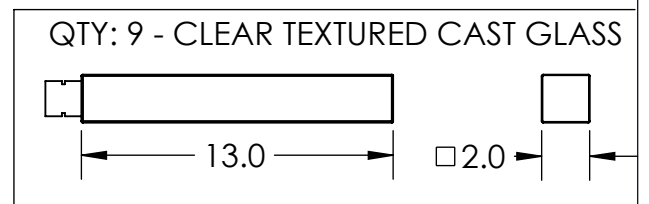
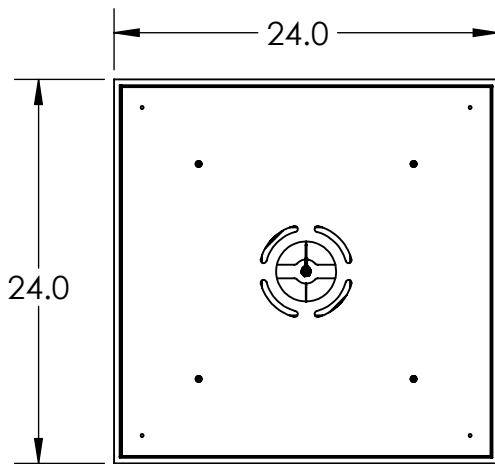
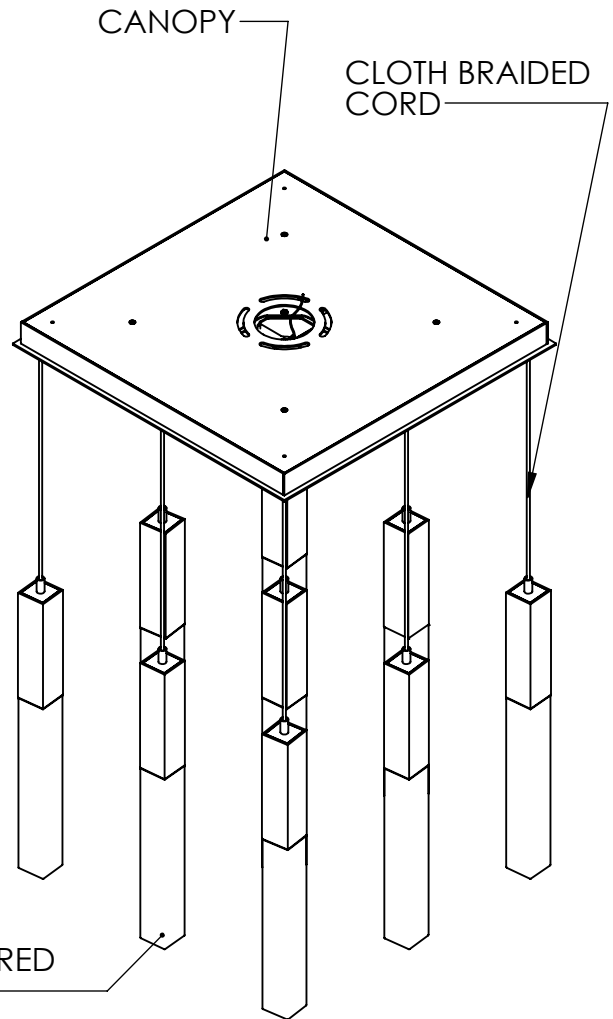
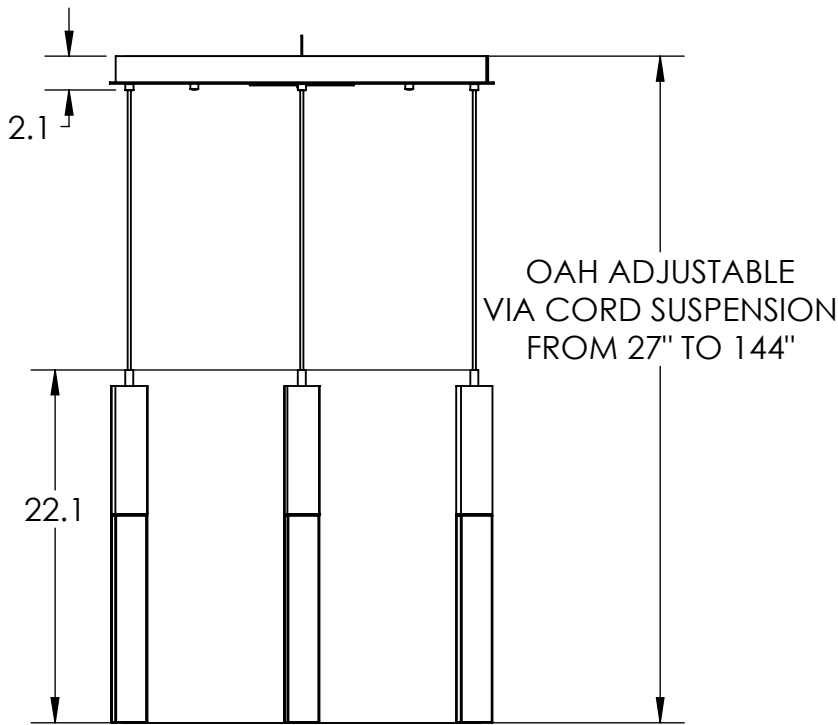


Collection: AXIS

Product #: CHB0060-09



Visit hammertonstudio.com for product options and specifications.

1/6/2020 (A)

| | | | | |
|--|---------------------------------------|----------------------|--------------|------------------------------|
| Mounting Packet: R | Weight(lbs.): 96 | Electrical Type: LED | CCT: 2700 K | Mounting Detail |
| UL Location: DRY | Elec. Qty: 9 | Wattage: 35 | Voltage: 120 | <p>Ø 5.5</p> <p>23.1</p> |
| Finish: SEE WEB SITE FOR OPTIONS | Source Lumens: | Ambient: 3080 | Down: 0 | |
| Top Diffuser: N/A | Dimmable: Forward/Reverse Phase To 1% | | | |
| Bottom Diffuser: CAST GLASS | CRI: 93+ | Power Factor: >0.9 | | |
| All fixtures created by Hammerton are handcrafted by artisans. Dimensions may vary up to 7/8". | | | | |
| © Copyright 2020. All rights in design, detail or invention of this drawing are reserved as the property of Hammerton. Any imitation or adaptation without written consent is strictly prohibited. | | | | |
| Hammerton Inc. 217 Wright Brothers Dr. Salt Lake City, UT 84116 (801)973-8095 | | | | MOUNTS TO BUILDING STRUCTURE |