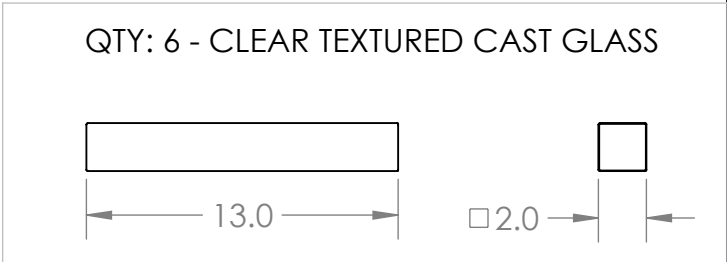
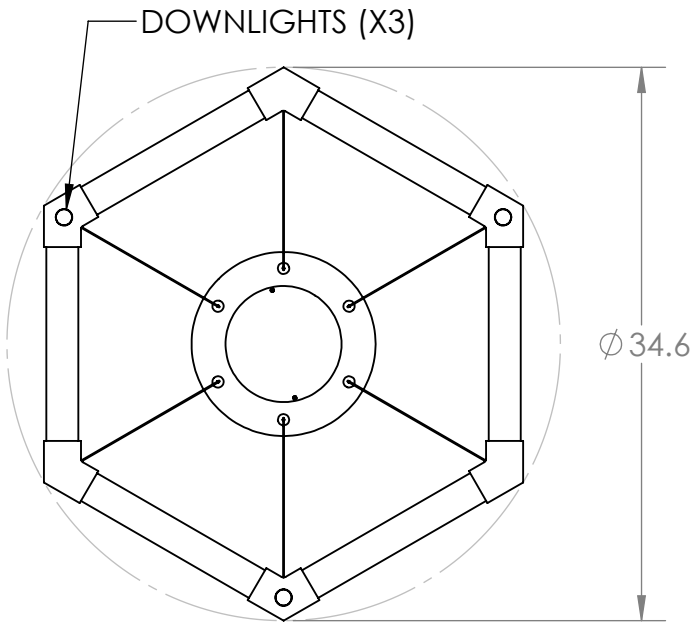
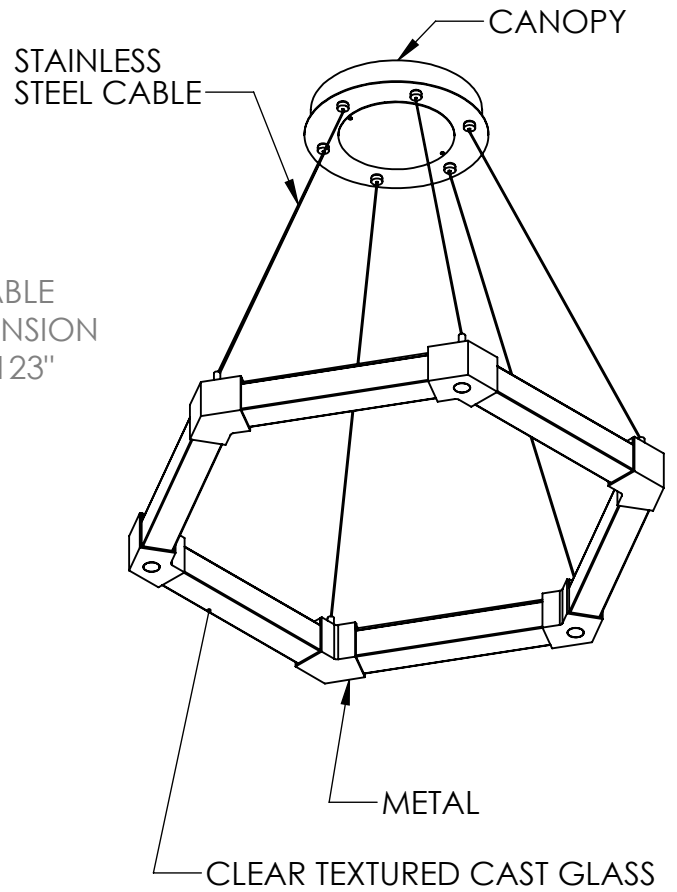
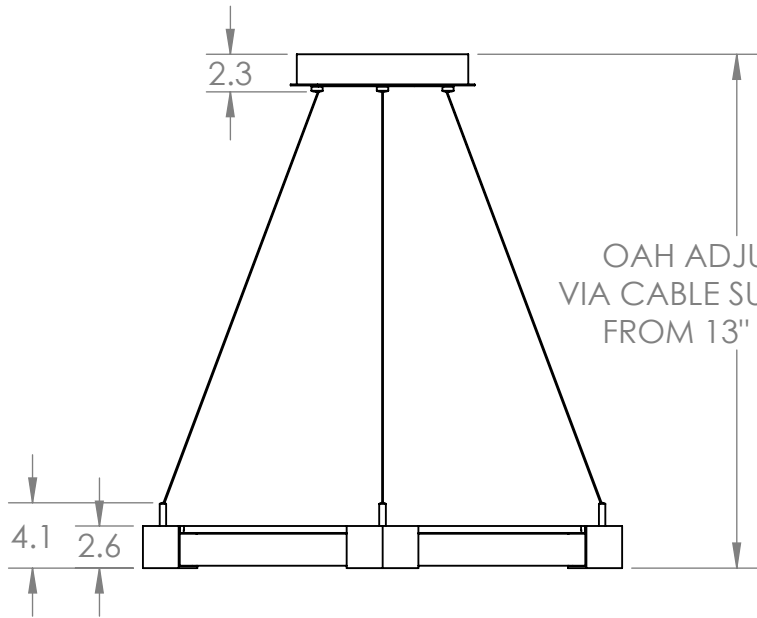


Collection: AXIS

Product #: CHB0060-35



All dimensions are shown in inches unless otherwise stated. Visit hammertonstudio.com for product options.

1/6/2020 ©

Mounting Packet: Z	Weight(lbs.): 48	Electrical Type: LED	CCT: 2700 K	Canopy Mounting Detail
UL Location: DRY	Elec. Qty: 15	Wattage: 48	Voltage: 120	
Finish: SEE WEB SITE FOR OPTIONS	Source Lumens: Ambient: 2160	Down: 1020		
Top Diffuser: N/A	Dimmable: Forward/Reverse Phase To 1%			
Bottom Diffuser: FROSTED ACRYLIC	CRI: 93+	Power Factor: >0.9		
All fixtures created by Hammerton are handcrafted by artisans. Dimensions may vary up to 7/8".				
© Copyright 2020. All rights in design, detail or invention of this drawing are reserved as the property of Hammerton. Any imitation or adaptation without written consent is strictly prohibited.				
Hammerton Inc. 217 Wright Brothers Dr. Salt Lake City, UT 84116 (801)973-8095				MOUNTS TO BUILDING STRUCTURE