



## TROUBLESHOOTING

If lamp does not light, turn off the power. Check the bulb for a broken filament. Replace bulb if necessary, then turn it on. If the lamp still does not light, please contact customer service at the local dealer. If the external flexible cable or cord of this lamp is damaged, it must be replaced by a qualified electrician in order to avoid a hazard.

## CARE INSTRUCTIONS

Wipe the parts with a damp cloth soaked in warm water and a bit of mild detergent. Use only soft cloth for wiping and polishing, never sponges or steel wool.

Do not use abrasive household cleaners. Do not use acidic or alkaline cleaning materials, glass cleaner or household ammonia.

## TECHNICAL INFORMATION

Light source: Silver crown reflector bulb/half mirror bulb.

Semi Ø30, E12 – max. 40W incandescent, 30W halogen bulb or LED with approximately 400 lumens.

Semi Ø47/Ø60 E26, – MAX 60W incandescent, 40W halogen or LED with approximately 700 lumens.

Turn power off when changing light bulb. Isolation class II. The lamp is not approved for outdoor use or use in damp/wet rooms (IP20).

## SAFETY INSTRUCTIONS

SAFETY INSTRUCTIONS PERTAINING TO RISK OF FIRE, ELECTRIC SHOCK, OR PERSONAL INJURY!

WARNING: Lighted bulb gets HOT! Do not touch while on.

CAUTION: Keep lamp away from curtains, bedding linens, and any other flammable materials. Do not look directly at lighted bulb. Turn off / unplug and allow lamp to cool before replacing bulb, cleaning or other maintenance. Do not use in the bathroom or damp places.

CAUTION! IMPORTANT: LAMP MUST BE INSTALLED BY A QUALIFIED ELECTRICIAN!

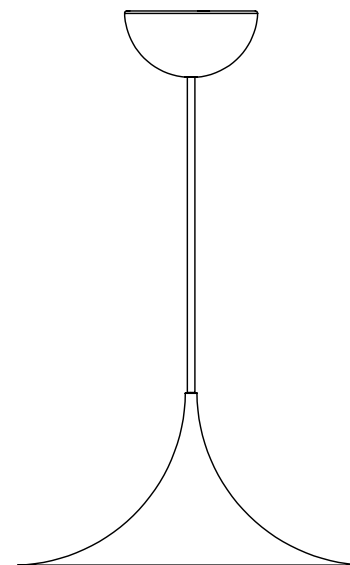


For enquiries contact GUBI A/S - CVR: 17940384  
Klubiensvej 7-9, 2150 Nordhavn, Copenhagen, Denmark  
T +45 69 15 60 60 – [order@gubi.dk](mailto:order@gubi.dk)  
GUBI.COM

50-20-002-03 Assembly Instructions for Semi Pendant US.

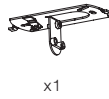
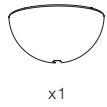
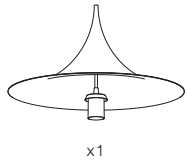
# GUBI

## ASSEMBLY INSTRUCTIONS *for* SEMI PENDANT



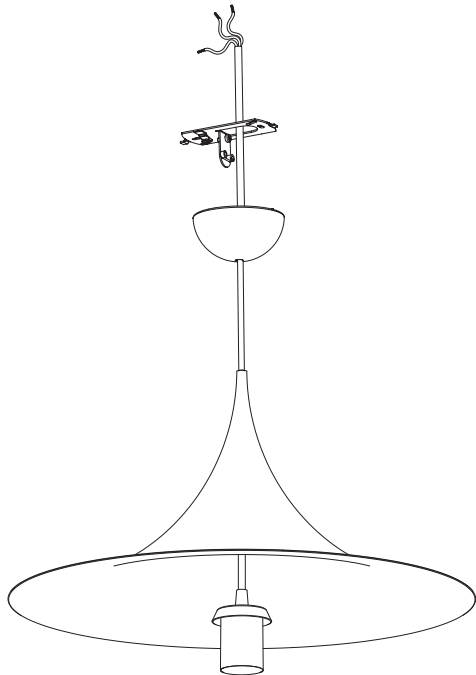
### CONTENTS

*SEMI PENDANT*



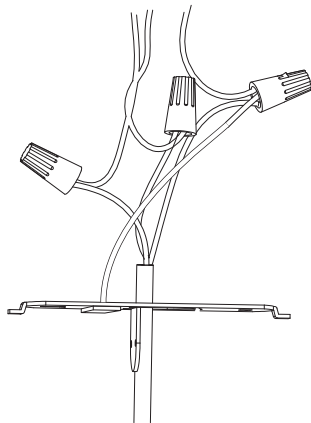
### 1.

Insert the cable through the lamp shade, canopy and ceiling bracket.



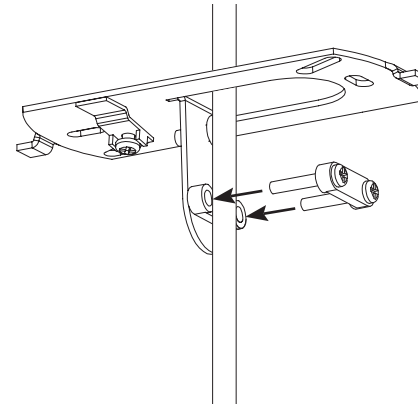
### 2.

Connect the lamp wires to the supply wires.



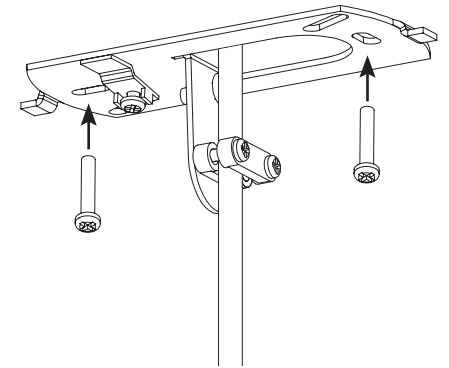
### 3.

Tighten the strain relief.



### 4.

Attach the ceiling bracket with two screws.



### 3.

Attach the canopy to the ceiling bracket, twist approx. 5-20 degrees.

