

Ronde Pendant - Ø20, US

Designed by Oliver Schick - 2013



ITEM NUMBER	Ronde Pendant - Ø20, US (Shade: Anthracite Grey Matt)	10015060
	Ronde Pendant - Ø20, US (Shade: White Matt)	10015059
	Ronde Pendant - Ø20, US (Shade: Soft Black Matt)	10015058
	Ronde Pendant - Ø20, US (Shade: Pigeon Grey Matt)	10015057
	Ronde Pendant - Ø20, US (Shade: Redwood Matt)	10015056

DESCRIPTION

With its industrial, yet friendly look Ronde Pendant is well-suited for both home decor and professional environments. Hang a few Ronde Pendants in the kitchen, place the smallest Ronde on each side of the bed or use one of the larger Ronde Pendants above the dining table to set just the right lighting atmosphere. The bell-shaped Ronde Pendant in two sizes has reference to the traditional pendant lamp and the heyday of 1970's lightning design; however, in a modern interpretation.

A unique detail of the Ronde Pendant is the opening on the top with an overhanging collar that reminds of a jar such as a vase or an amphora. The mainly downwards directed light from conventional pendants does in this design also spread out of the spout-like opening and casts a smooth light gradient at the wire and ceiling. The hand-turned aluminium lamp shade with an ultra-matt lacquer almost makes it look as if it was made of ceramics. Ronde is in several languages the word for round, circular or rotating but it is also the flat blank used for metal spinning technique, which is rotating around a mould core and shaped to a 3-dimensional body.

Materials & Finishes

SHADE FINISH

Anthracite Grey Matt, White Matt, Soft Black Matt, Pigeon Grey Matt, Redwood Matt



CANOPY FINISH

Black (RAL 9005)

CORD SHAPE

Round

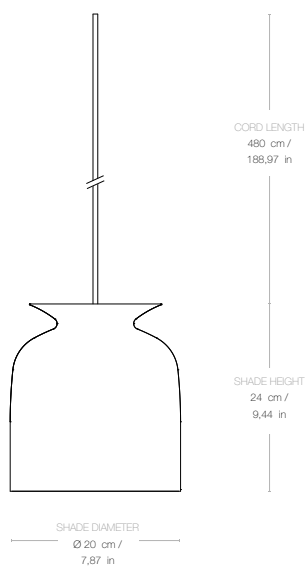
CORD COLOR

Black textile on all models except White textile on white matt shade

MATERIALS

Metal

Dimensions



LAMP DIAMETER Ø 7,87 in

LAMP HEIGHT 9,44 in

SHADE DIAMETER Ø 7,87 in

SHADE HEIGHT 9,44 in

CANOPY DIAMETER Ø 3,93 in

CANOPY HEIGHT 3,14 in

CORD LENGTH 188,97 in

Weight

TOTAL WEIGHT 2,09 lbs

Number of parcels	1
PACKAGING LENGTH	10,23 in
PACKAGING WIDTH	10,23 in
PACKAGING HEIGHT	16,53 in
PACKAGING WEIGHT	1,60 lbs
GROSS WEIGHT	3,70 lbs

Electrical Specifications

BULB SOCKET	E26
RECOMMENDED BULB	6W-10W LED, 810 lm
VOLTAGE	120V
BULB INCLUDED	No

Test & Certifications

ISOLATION CLASS	II
IP CLASSIFICATION	20