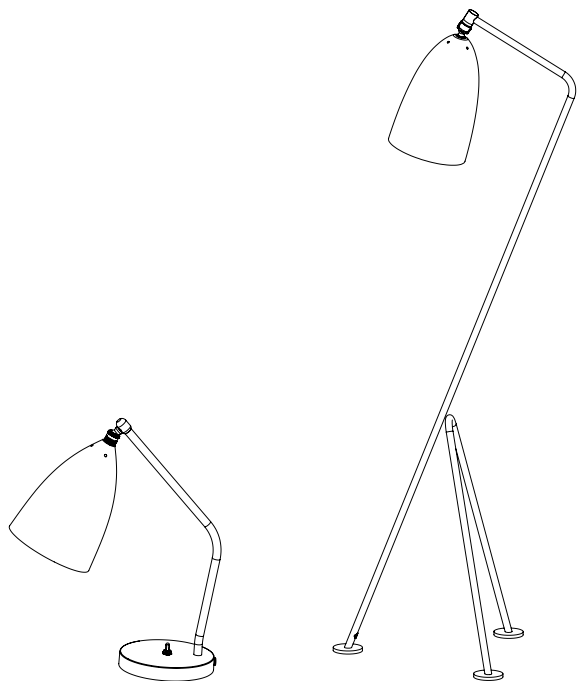


BULB REPLACEMENT

- Disconnect the power before replacing bulb.

TROUBLESHOOTING

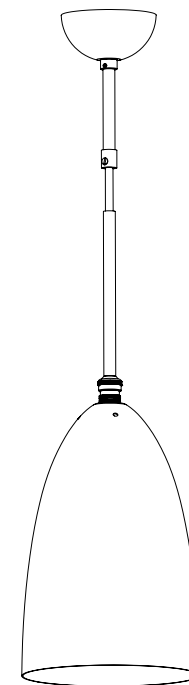
- If lamp does not light, turn off the power. Check the bulb for a broken filament. Replace bulb if necessary, then turn it on.
- If the lamp still does not light, please contact customer service at the local dealer.
- If the external flexible cable or cord of this lamp is damaged, it must be replaced by a qualified electrician in order to avoid a hazard.



GUBI



Gräshoppa Lamp



GUBI A/S

Klubiensvej 7-9 / Pakhus 53
2150 Nordhavn, Copenhagen
Denmark

T: +45 3332 6368
CVR: 17940384
WWW.GUBI.DK

.....

Technical information:

Light source: E14, max. 1x40W incandescent or 1x30W halogen bulb.

Turn power off when changing light bulb.

Isolation class II.

The lamp is not approved for outdoor use or use in damp/wet rooms (IP20).

Some advice on cleaning your Gråshoppa:

Wipe the parts with a damp cloth soaked in warm water and a bit of mild detergent.

Use only soft cloth for wiping and polishing, never sponges or steel wool.

Do not use abrasive household cleaners.

Do not use acidic or alkaline cleaning materials, glass cleaner or household ammonia.

Lamp is attachable directly on the ceiling

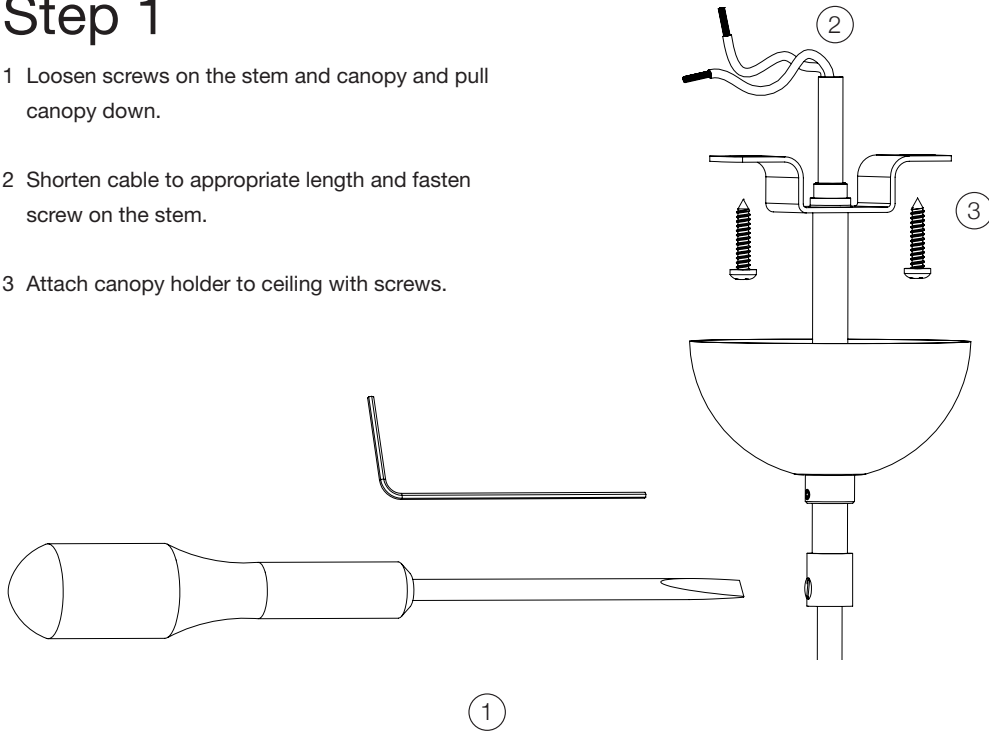
.....

Step 1

1 Loosen screws on the stem and canopy and pull canopy down.

2 Shorten cable to appropriate length and fasten screw on the stem.

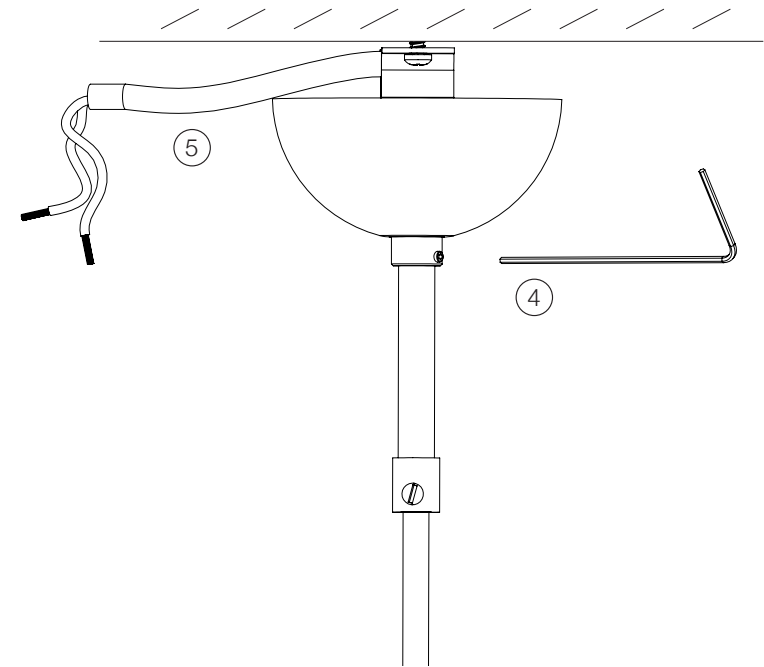
3 Attach canopy holder to ceiling with screws.



Step 2

4 Push canopy up and tighten set screw.

5 Connect wires to power cables.



Step 3

6 Place light bulb in lamp and turn power on.

