

BULB REPLACEMENT

- Disconnect the power before replacing bulb.

TROUBLESHOOTING

- If lamp does not light, turn off the power. Check the bulb for a broken filament. Replace bulb if necessary, then turn it on.
- If the lamp still does not light, please contact customer service at the local dealer.
- If the external flexible cable or cord of this lamp is damaged, it must be replaced by a qualified electrician in order to avoid a hazard.

MAINTENANCE

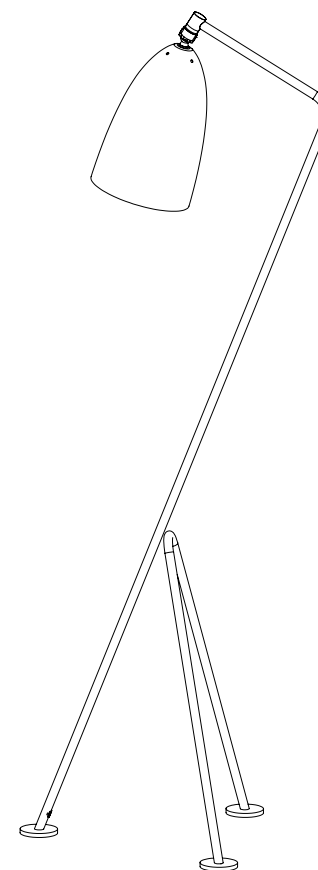
- (Unplug power cord prior maintenance)
- To clean, use a soft cloth only.
- Do not use any chemical or abrasive cleaners.

GUBI



Gräshoppa Floor Lamp

005-013xx



GUBI A/S

Klubbiensvej 7-9 / Pakhus 53
2150 Nordhavn, Copenhagen
Denmark

T: +45 3332 6368
CVR: 17940384
WWW.GUBI.DK

SAFETY INSTRUCTIONS PERTAINING TO RISK OF FIRE, ELECTRIC SHOCK, OR PERSONAL INJURY

WARNING: Lighted bulb gets HOT! Do not touch while on.

CAUTION: Keep lamp away from curtains, bedding linens, and any other flammable materials.

Do not look directly at lighted bulb.

Turn off / unplug and allow lamp to cool before replacing bulb, cleaning or other maintenance.

Do not use in the bathroom or damp places.

CAUTION: TO REDUCE THE RISK OF FIRE, USE MAX. 40 WATT INCANDESCENT, E12, type b bulb, 120V 60Hz AC ONLY.

Do not exceed recommended wattage.

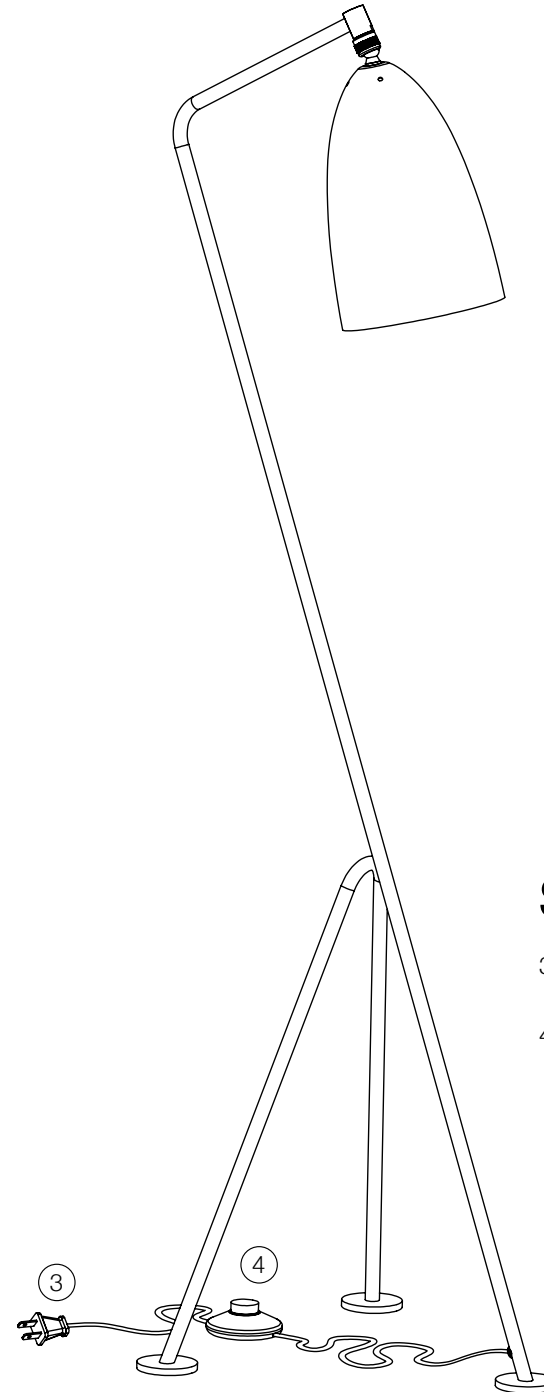
CAUTION! IMPORTANT: LAMP MUST BE INSTALLED BY A QUALIFIED ELECTRICIAN!

PREPARATION: Shut the power off.

Step 1

1 Unpack lamp.

2 Place on stable ground.



Step 2

3 Plug lamp to mains voltage.

4 Push switch to turn lamp on and off.