



CARE INSTRUCTIONS

Brush off dust on shade with a soft brush, or use a vacuumcleaner with a brush. Wipe other parts with a damp cloth soaked in warm water and a bit of mild detergent. Use only soft cloth for wiping and polishing, never sponges or steel wool. Do not use abrasive household cleaners.

Do not use acidic or alkaline cleaning materials, glass cleaner or household ammonia.

TROUBLESHOOTING

If lamp does not light, turn off the power. Check the bulb for a broken filament. Replace bulb if necessary, then turn it on.

If the lamp still does not light, please contact customer service at the local dealer.

TECHNICAL INFORMATION

Light source: E26, max. 1x42W halogen bulb, 1x15W fluorescent light bulb, or LED light bulb equivalent to 60W incandescent. Turn power off when changing light bulb.

Isolation class II.

The lamp is not approved for outdoor use or use in damp/wet rooms (IP20).

Spare parts available: Glass and glass mounting tool.



GUBI A/S

FOR MORE INFORMATION

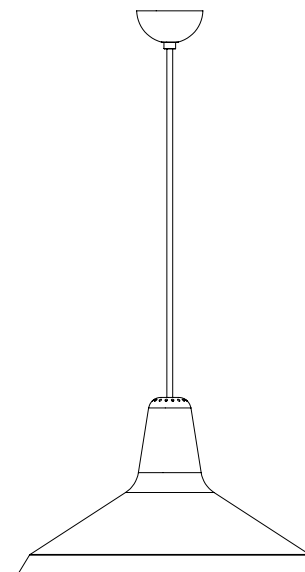
GUBI.COM

GUBI

ASSEMBLY INSTRUCTIONS

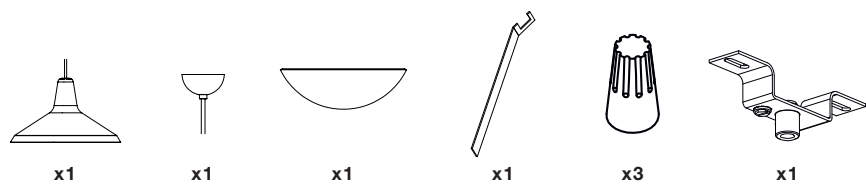
for

G10 PENDANT



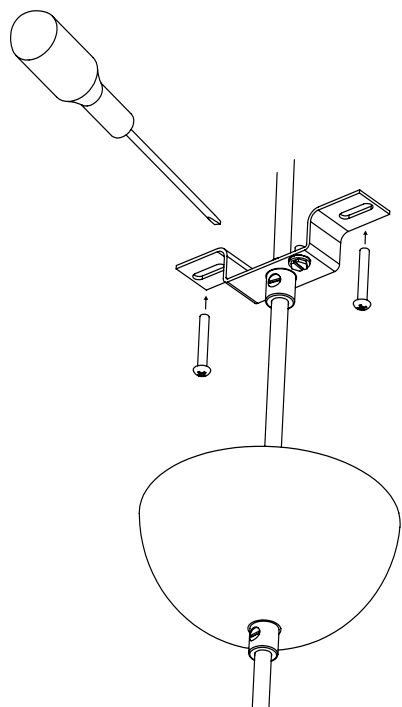
CONTENTS.

G10 PENDANT



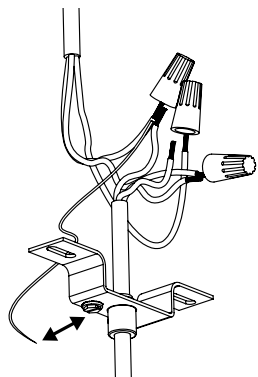
1.

Mount the bracket to the ceiling. Adjust the height and tighten the screw in the cable clamp.



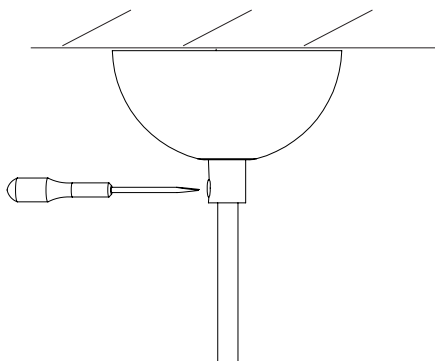
2.

Connect wires to power cables. Connect grounding wire to bracket.



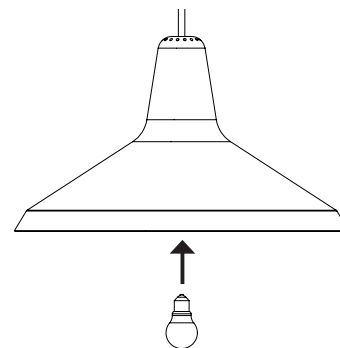
3.

Push canopy up and tighten screw.



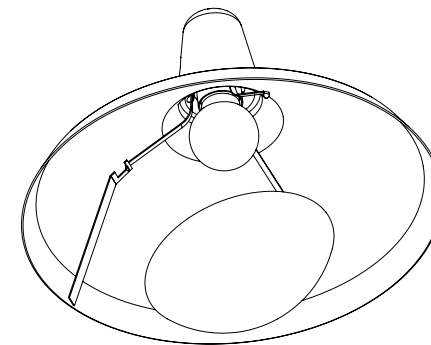
4.

Place light bulb in the lamp.



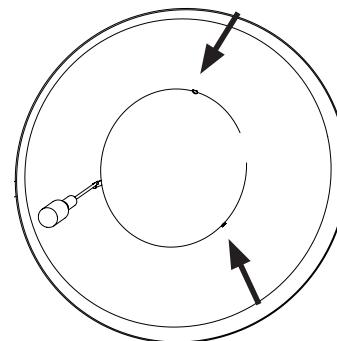
5.

Use tool or small screwdriver to push one of the flexible arms towards the shade.



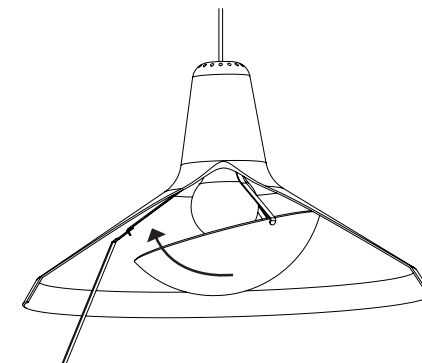
6.

Let the glass rest on the other two arms while holding the third arm towards the shade.



7.

Drag the rest of the glass to the arm with the tool and release tool.



8.

Glass is now in right position. Turn power on.

