



CARE INSTRUCTIONS

(Unplug power cord prior maintenance)
To clean, use a soft cloth only.
Do not use any chemical or abrasive cleaners.

TROUBLESHOOTING

If lamp does not light, turn off the power. Check the bulb for a broken filament. Replace bulb if necessary, then turn it on.
If the lamp still does not light, please contact customer service at the local dealer.
If the external flexible cable or cord of this lamp is damaged, it must be replaced by a qualified electrician in order to avoid a hazard.

BULB REPLACEMENT

Disconnect the power before replacing bulb.

SAFETY INSTRUCTIONS

SAFETY INSTRUCTIONS PERTAINING TO RISK OF FIRE, ELECTRIC SHOCK, OR PERSONAL INJURY!

WARNING: Lighted bulb gets HOT! Do not touch while on.

CAUTION: Keep lamp away from curtains, bedding linens, and any other flammable materials. Do not look directly at lighted bulb. Turn off / unplug and allow lamp to cool before replacing bulb, cleaning or other maintenance. Do not use in the bathroom or damp places.

CAUTION: TO REDUCE THE RISK OF FIRE, USE ONLY TYPE A BULB, MAX. 60 WATT FOR COLLAR L / TYPE G16.5 BULB MAX. 40 WATT FOR COLLAR S, E26, 120V 60Hz AC ONLY.

Do not exceed recommended wattage.

CAUTION! IMPORTANT: LAMP MUST BE INSTALLED BY A QUALIFIED ELECTRICIAN!



GUBI A/S

FOR MORE INFORMATION

GUBI.COM

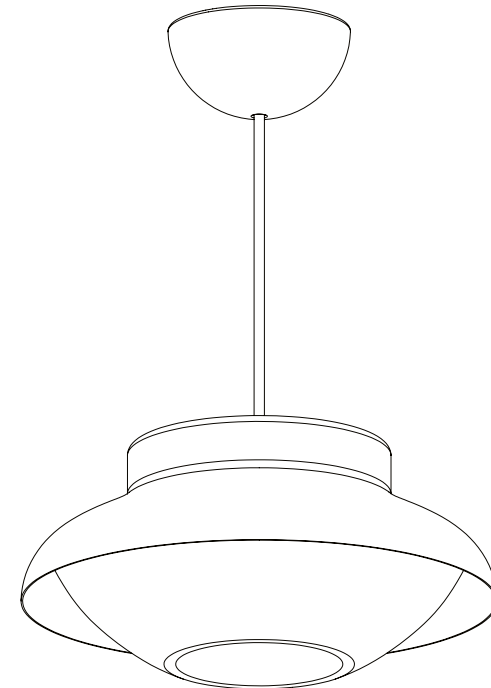
GUBI

ASSEMBLY INSTRUCTIONS

for

COLLAR PENDANT

008-013xx / 008-023xx

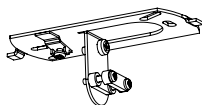


CONTENTS.

COLLAR PENDANT



x1



x1



x2



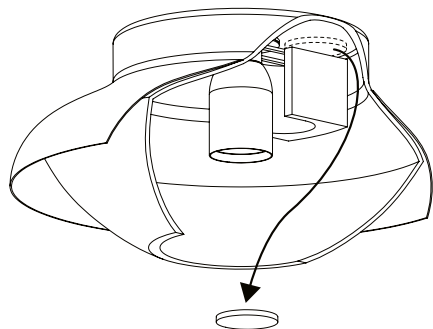
x2



x1

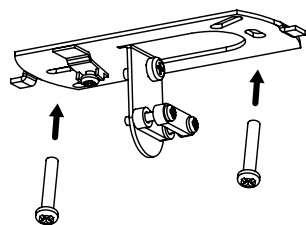
1.

Remove the protective piece.

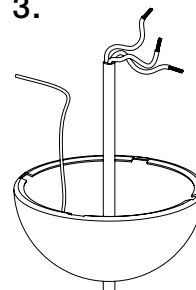


2.

Attach the ceiling bracket to the ceiling where the mains voltage exits.



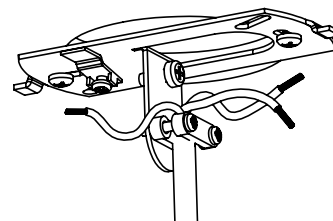
3.



4.

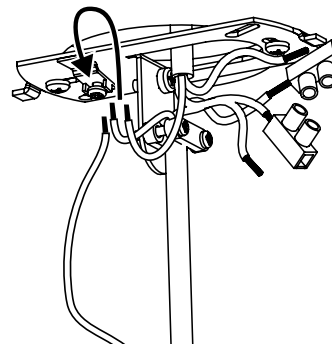
Find the desired length of cable and cut off the outer isolation.

Mount the cable in the cable clamp.



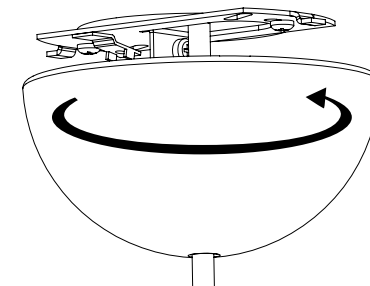
5.

Connect lamp wires to the supply wires. Be sure to connect all grounding wires (green) to the same wirenut.



6.

Place canopy on ceiling bracket and twist approx. 5 - 20 degrees.



7.

Place light bulb in lamp and turn the power on.

