

# INSTALLATION INSTRUCTIONS

For Models # P5743-084

**WARNING! SHUT POWER OFF AT FUSE OR CIRCUIT BREAKER.**  
**AVERTISSEMENT! COUPER LE COURANT AU NIVEAU DES FUSIBLES OU DU DISJONCTEUR.**

## MOUNTING THE FIXTURE (Fig. 1)

1. Shut off power at the circuit breaker and remove the old fixture including the mounting hardware.
2. Carefully remove the fixture from the carton and check that all parts are included as shown in (Fig 1).
3. Remove mounting screws (G) (Size:0.16\*0.55" ) from canopy (C). Secure mounting plate (H) to the junction box using mounting screws(F) (Size:0.16\*0.55" ). The side of the mounting plate labeled "GND" must face out.

## SUGGESTED INSTALLATION (Fig. 1)

4. Determine the desired hanging height and thread rods (B) to fixture body (D). Use nipple(s) (N) to connect multiple rods. Pass the wire carefully through each rod (B) as you assemble.
5. Thread the hanger ball (O) to rods (B).
6. While holding the fixture, install the fixture into the crossbar (H) by tilting at a slight angle so that the hanger ball (O) slips into the crossbar (H). Align the notch in the hanger ball (O) to the tab on the crossbar (H) to prevent the fixture from turning.

## CONNECTING THE WIRES (Fig. 2)

7. Connect the electrical wires as shown in Fig. 2, making sure that all wire connectors (E) are secured. If your outlet has a ground wire (green or bare copper), connect the fixture's ground wire to it. Otherwise, connect the fixture's ground wire directly to the mounting plate using the green screw provided.

## FINISHING THE INSTALLATION (Fig. 1)

8. Place canopy (C) onto the crossbar (H) and secure using mounting screws (G).
9. Install the light bulbs(I) in accordance with the fixture's specifications. **(DO NOT EXCEED THE MAXIMUM WATTAGE RATING). (NE PAS DEPASSER LA PUISSANCE NOMINALE MAXIMALE!)**
10. Align metal plate (J) to glass diffuser (K) and center them onto the bottom of the lamp shade.
11. Use decorative plate (L) to secure the diffuser (K) and cap (M) to the fixture body(D).

Your installation is now complete. Return power to the junction box and test the fixture.

**IMPORTANT: FIXTURE SHOULD BE INSTALLED BY A QUALIFIED ELECTRICIAN TO ENSURE PROPER WIRING AND INSTALLATION.**

Fig. 1

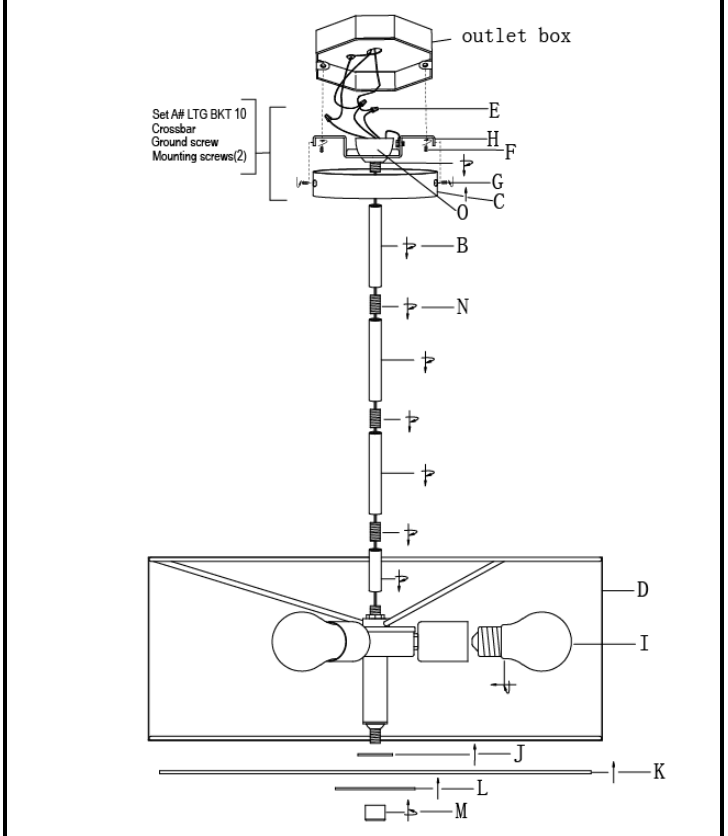


Fig. 2

