

Roest /roōst/

Vertical Pendant



Color



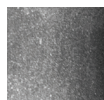
Rust

15v | GP2000-N
30v | GP2001-N
45v | GP2002-N



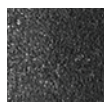
Rust/Zinc

15v | GP2000-Z
30v | GP2001-Z
45v | GP2002-Z



Zinc

15v | GP2000-AZ
30v | GP2001-AZ
45v | GP2002-AZ



Carbon

15v | GP2000-C
30v | GP2001-C
45v | GP2002-C

	North America	Europe
Lamping	Max 10W LED, GU10, 120V	Max 10W LED, GU10, 220-240V
Color temperature	2700K (recommended)	2700K (recommended)
Lumen output	Dependent on lamp	Dependent on lamp
Cord	Black, 6.5ft (16ft available)	Black fabric, 2m (5m available)
Canopy	Black powder coated, Ø 5, H 1 (in)	Black powder coated, Ø 10, H 2.5 (cm)
Material	Steel	Steel
Size	Ø 2.375, H 6 (in) Ø 2.375, H 11.75 (in) Ø 2.375, H 17.75 (in)	Ø 6, H 15 (cm) Ø 6, H 30 (cm) Ø 6, H 45 (cm)
Weight	2.2lbs 3.3lbs 4.6lbs	1,0kg 1,5kg 2,1kg
Country of origin	The Netherlands	The Netherlands

Certification



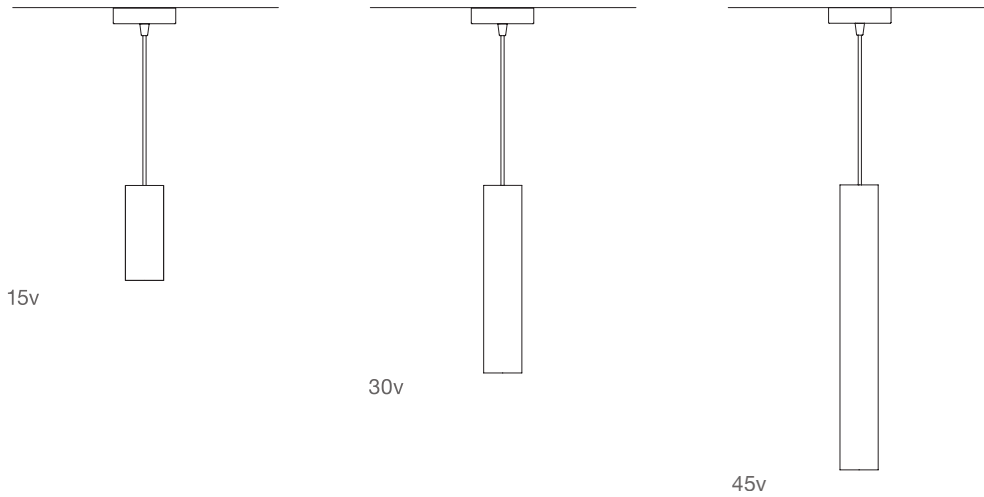
For use in dry location. After the natural oxidation process, all items are treated to stop further rusting. The material will not come off or stain.

**Designed by VanJoost,
in The Netherlands for Graypants.**

Custom cords and canopies are available. Contact our offices for more information.

roest®

Vertical Pendant



SPECIFICATION CODE

Example: QTY 2 ROEST - GP2002-N-16

Qty. **ROEST** - **GP200** - -

①
②
③

For each number, make one selection and enter into the corresponding box above. *Indicates modification with additional lead time and/or costs

① Length

- 0 15v | 6"
- 1 30v | 11.75"
- 2 45v | 17.75"

② MATERIAL

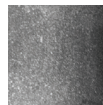
- N
- Z
- AZ
- C



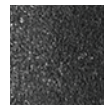
N - Rust



Z - Rust/Zinc



AZ - Zinc



C - Carbon

③ Cord Length (ft)

- 6.5
- 16
- Custom