

LED Product Information and Warnings

Important

- **Always disconnect the power before installing or replacing bulbs and before cleaning or other maintenance.**
- **Consult a qualified, licensed electrician to ensure correct branch circuit conductor.**

- Please read all included assembly instructions and warnings carefully before installation. Contact Customer Service if you have any questions or concerns. Before installation, please confirm that the fixture is compatible with your supply voltage and dimming system, if present.
- LEDs are highly sensitive electronic devices, and must be treated with care. Do not open any factory sealed compartments, and avoid touching the LEDs with your hands or any object.
- Although all our fixtures are equipped with protective devices, LED fixtures are vulnerable to power surges and supply variations. Do not install LED fixtures on the same circuit as any motors, appliances, or HVAC systems.
- Do not remove or bypass any LED Driver or Transformer that is provided with the fixture, and do not replace or substitute with another power supply.
- Remote LED Driver or Transformer installation must be done by a licensed electrician and in accordance with local codes. Remote installations should be in an accessible location, as close to the fixture as possible.
- Fixtures must be wired in parallel on independent leads; do not "daisy chain" multiple fixtures together or wire them in series.
- All factory-made splices and connections must remain intact. LED circuits are carefully designed and built, and improper connections may damage the fixture.
- The ends of coaxial pendant cords have been precisely stripped and split at the factory and must not be field cut. Excess cord or cable should be neatly coiled and reserved in the fixture canopy.
- Any mounting hardware is provided for your convenience and should be used with discretion. Always use the appropriate hardware for the mounting surface.

January 21, 2015

Assembly Instructions

2910

INSTRUCTIONS D'INSTALLATION

Grapes Series - 1-Light LED Pendant w/Micro-Dome Canopy

Important

- Always disconnect the power before installing or replacing bulbs and before cleaning or other maintenance.
 - Consult a qualified, licensed electrician to ensure correct branch circuit conductor.
- Consulter un électricien qualifié pour vous assurer que les conducteurs de la dérivation sont adéquats.*

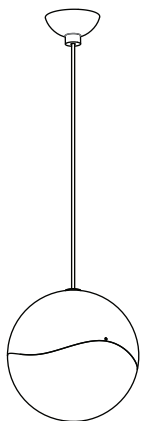
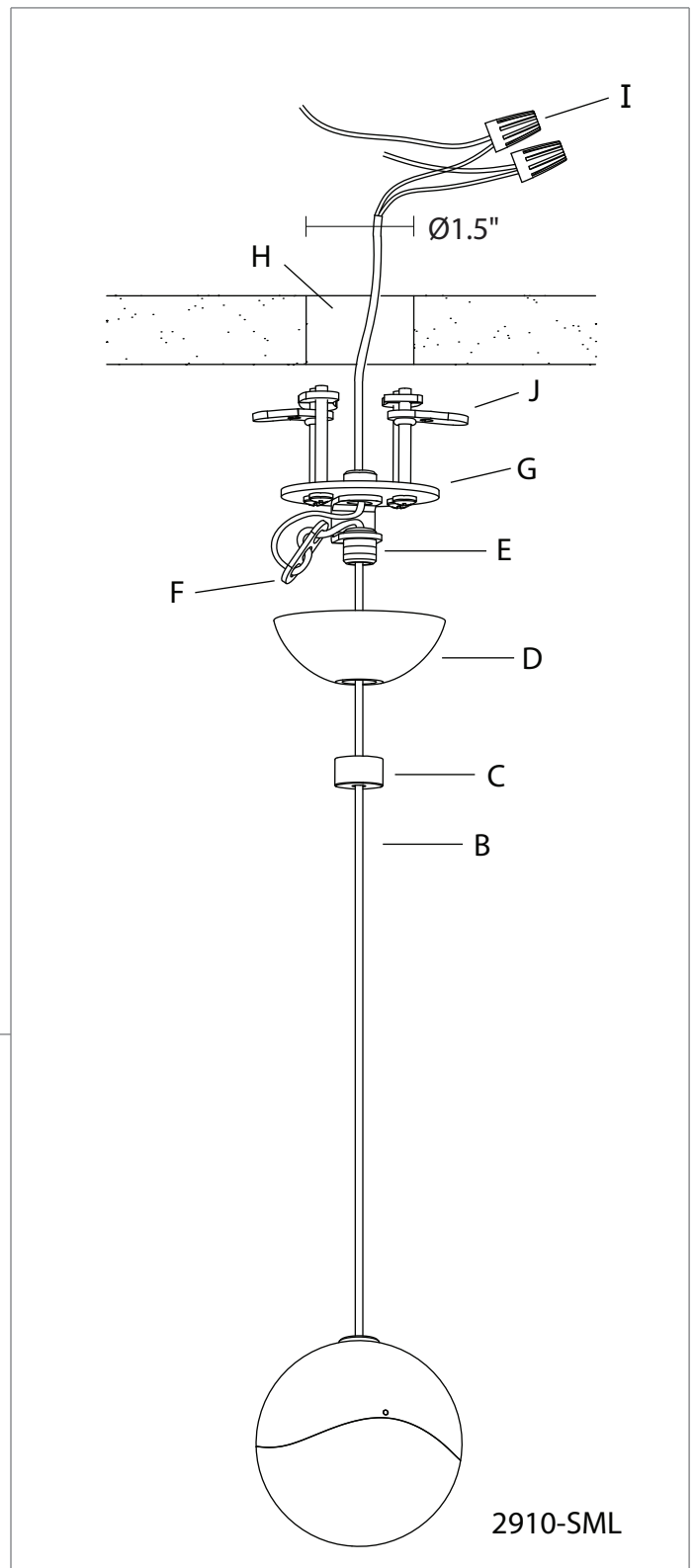
1. Shut off power to the outlet box.
2. The transformer (A) must be installed in a remote and accessible location near the fixture in accordance with local electric code. (Fig. 1)
3. Feed the cord (B) through the cap nut (C), canopy (D), nipple (E), three holes on the cord lock (F) as shown in the drawing, and the mounting plate (G).
4. Determine the height at which the fixture is to be hung. Adjust the cord lock (F) to set the cord length.
5. Cut a 1.5" hole (H) in the ceiling and pull the low voltage wires from the transformer (A) through the ceiling.
6. Using wire nuts (I), connect the one of the fixture wires to one of the red transformer output wires, and connect the other fixture wire to the other red transformer output wire.
7. Reserve extra cords and wire nuts above the ceiling.
8. Attach the mounting plate (G) to the ceiling by folding the tabs (J) inward, and pushing the mounting plate into the hole (H) until it is flush against the ceiling. Use a screwdriver to swing the tabs above the ceiling and tighten to secure.
9. Attach canopy (D) to nipple (E), secure with cap nut (C).
10. Restore power to the fixture.

Note

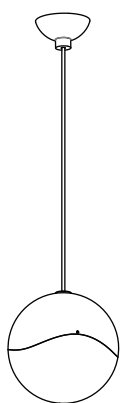
- This fixture is dimmable with **Electronic Low Voltage (Trailing-Edge) type dimmers only.**

Care Instructions

- **Dusting: Use a clean, dry cloth.**
- **Cleaning: To protect the finish, avoid any harsh abrasives or chemicals.**



2910-LRG



2910-MED

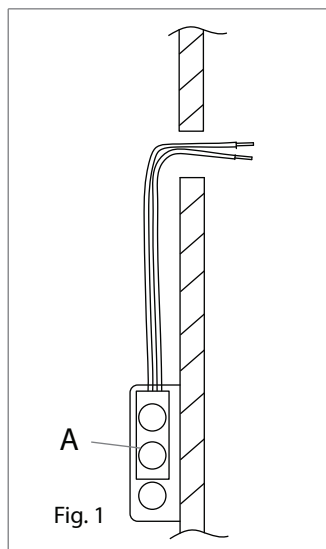
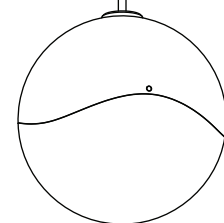


Fig. 1



2910-SML