

GRACE 30 CHANDELIER

VISUAL COMFORT & CO.

PRODUCT FEATURES

- Halo of light is gracefully created by two rings with integrated LED technology
- Available as a weathered oak ring with a black inner ring
- Ships with 12 feet of field-cuttable cable
- Dimmable with low-voltage electronic dimmer
- Protected by a 5-year warranty. please visit the "About Us" Page on techlighting.com for more for warranty details



LAMPING

Includes 120 volt, 50.7 watt, 3685 total delivered lumens, 3000K LED module. 3500K only available in weathered oak. Dimmable with most LED compatible ELV and TRIAC dimmers. Ships with 12 feet of field-cuttable cable.

Matte Black / Weathered Oak Wood



Matte Black / Weathered Oak Wood

Matte Black / Weathered Oak Wood 3/4

Aged Brass

ORDERING INFORMATION

700GRC	SHAPE OR SIZE	FINISH	LAMP
	30" DIAMETER 30	R AGED BRASS BW MATTE BLACK/WEATHERED OAK WOOD	-LED930 INTEGRATED LED 90CRI 3000K 120V (T24) -LED935 INTEGRATED LED 90 CRI 3500K 120V

700GRC _____

JOB NAME _____

NOTES _____

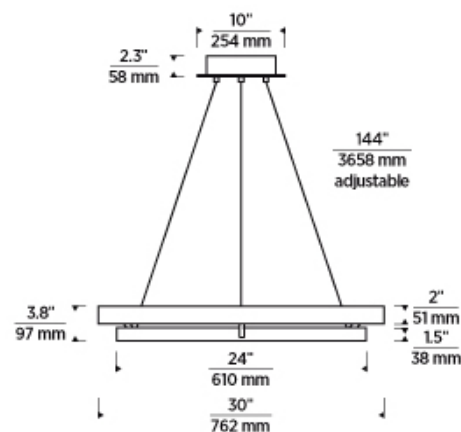


GRACE 30 CHANDELIER

VISUAL COMFORT & Co.

SPECIFICATIONS

PRIMARY MATERIAL	Aluminum
SHADE MATERIAL	Aluminum
NET WEIGHT	17 lbs
HEIGHT	3.8in
WIDTH	30in
LENGTH	30in
UP LIGHT / DOWN LIGHT / BOTH?	
WET LISTED	
DAMP LISTED	
DRY LISTED	
MIN. HANGING HEIGHT	11.8in
MAX HANGING HEIGHT	149.8in
TOTAL CORD LENGTH	144in
TOTAL STEM LENGTH	
STEM QTY	
SLOPED CEILING ADAPTABLE?	Yes 45° Max
GENERAL LISTING	ETL Listed
INCLUDES	



LAMPING SPECIFICATIONS

	LED LAMP	INTEGRATED LED	NON LED	NO LAMP
DELIVERED LUMENS		3685.0		
WATTS		50.7		
MAX WATTAGE PER BULB		50.7W		
		120V ELV, TRIAC		
CCT		3000K 3500K		
CRI		90 CRI		
LED LIFETIME				
L70		>50000		
AVERAGE BULB HOURS				
FIELD SERVICEABLE LED				
LAMP BASE		Integrated LED		
LAMP SHAPE		Integrated LED		
LAMP INCLUDED?		True		
WARRANTY**		5 Years		

* Dimming information available at www.techlighting.com/Downloads#dimming

** Visit techlighting.com for specific warranty limitations and details.

T20 / T24 / JA8 INFORMATION

	Integrated LED	Replacement LED Lamp	No Lamp *
This product can be used to comply with California Building Energy Efficiency Standards 2016 Title 24 Part 6 / JA8.	Yes		
This product can be used to comply with California Appliance Efficiency Standards 2016 Title 20 and may be shipped to and sold in California.	N/A		

* If a light fixture or component does not include a lamp or light source, it is the responsibility of the customer to select a lamp that meets the T24 and T20 requirements.

