

FLOS



F3440030 Black/Fumée

Goldman

Designed by Ron Gilad, 2013

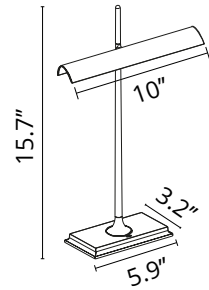
8W - 248lm - 2700K



Table lamp providing direct light. Aluminium structure with external transparent methacrylate diffuser and opal PC led diffuser. Optical switch sensor on the base that provide 3-step dimming function. A USB socket on the back of the base enables you to recharge the most common smartphones and tablets (max 1.5A). Adaptor on plug connector with interchangeable plugs. The power chord is 2.5 metres long

Are you a professional and your project needs consulting and support?

[BOOK AN APPOINTMENT](#)



Main specifications

EAN	8059607019504
Mounting	Table
Environments	Indoor dry location
Light Source Type	LED
LED type	LED Module
Power (W)	8
System flux (lm)	248

Physical

Color	Black/Fumée
Cord length (in)	98
Net weight (lb)	1.76
Package height (in)	5.12
Package width (in)	11.81
Package length (in)	19.69
Package volume (in)	1189.96
IP internal	20

Download

Mounting instructions	↓ PDF
Mounting instructions	↓ PDF
Spare Parts	↓ PDF

Photometric Files

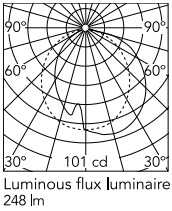
LDT / IES	↓ LDT
---------------------------	-----------------------

Technical Drawings

2D	↓ ZIP
3D	↓ ZIP



Schematic light drawing



Photometric

Lighting type	Direct
Light distribution	Asymmetric
CCT (K)	2700

Electrical

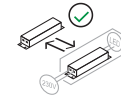
Insulation class	III
Frequency (Hz)	50/60
Main voltage (Vac)	100-240/24
LED voltage Vf (Vdc)	null
Driver	Remote included
Dimmable	Yes
Dimming type	Electronic 24V
Dimming interface	Dimmer Integrated
Plug type	Type G, Type A, Type C
Batteries inside	No
Charging min time	No

Ecodesign and Energy Labelling

This product contains a light source of energy efficiency class F

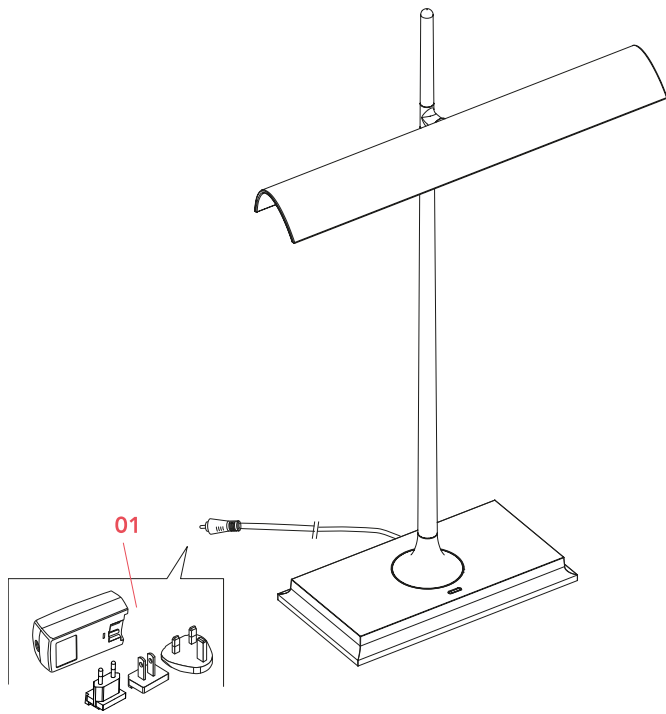


Replaceable (LED only) light source by a professional



Replaceable control gear by an end-user

Spare Parts



01. Black plug assembly kit & 24V driver

RF3320100

DOWNLOAD



RF3320100

Black plug assembly kit & 24V
driver