

GLADIATOR

900460FBN-NID

GLADIATOR 60" FAN

| DETAILS | |
|--------------|----------------|
| FAN FINISH: | Brushed Nickel |
| BLADE COUNT: | 5 |

| DIMENSIONS | |
|----------------|-----|
| WIDTH: | 60" |
| HEIGHT: | 16" |
| TOP TO OUTLET: | 0" |

| LIGHT SOURCE | |
|--------------|------|
| VOLTAGE: | 120v |

| MOUNTING | |
|------------|---------|
| CANOPY: | 6" Dia. |
| LEAD WIRE: | 1 X 76" |



With the greatest combination of power, versatility and technology, Gladiator has it all. Its DC motor technology delivers excellent energy efficiency, and is available in all of Hinkley's best finishes with reversible blades, maximizing design choices for almost any interior space. Blades are included with every fan.

PRODUCT DETAILS:

- This item includes a 4.5" down rod. Various lengths are available to customize the installation height.
- Suitable for use in dry (indoor) locations as defined by NEC and CEC. Meets United States UL Underwriters Laboratories & CSA Canadian Standards Association Product Safety Standards
- This item may be hung on a sloped ceiling
- Pull chain manual reverse, accessory controls available
- Each customizable blade offers two finish options; simply reverse the blade to select your preferred finish.
- Motor carries a lifetime warranty
- Blades, controls, switches, capacitors and hardware carry a 1 year warranty
- Classic, elegant lines and timeless details enhance a traditional space

HINKLEY

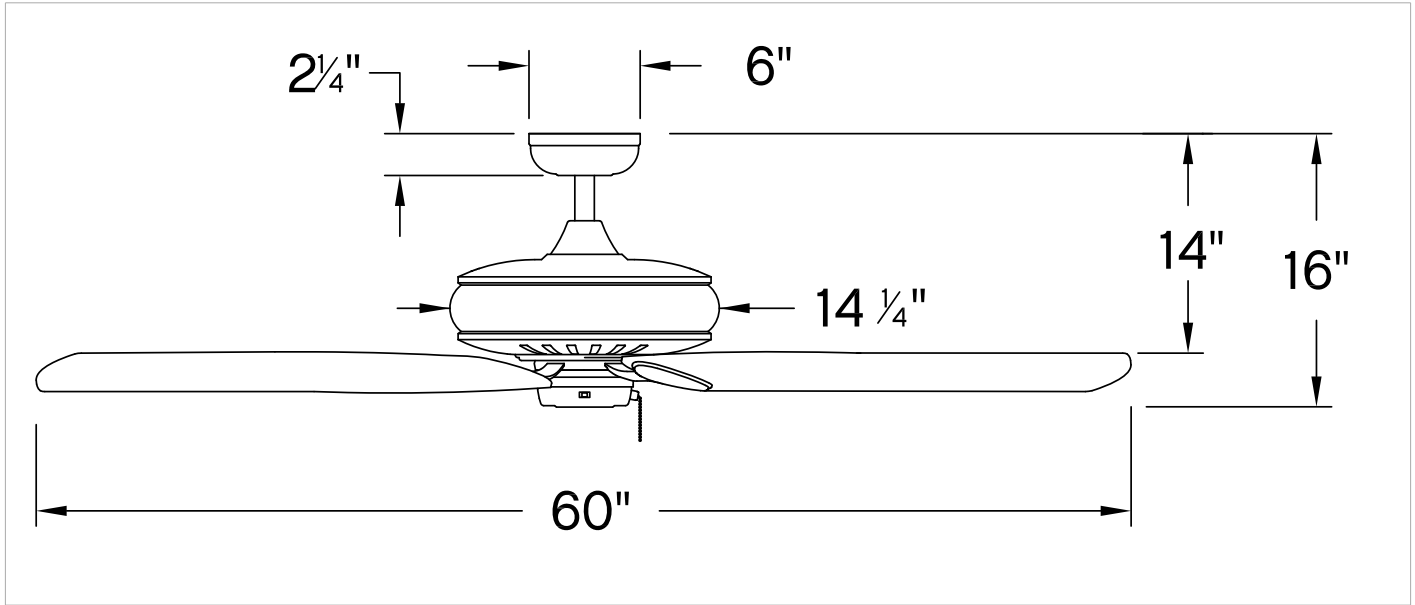
HINKLEY
33000 Pin Oak Parkway
Avon Lake, OH 44012

PHONE: (440) 653-5500
Toll Free: 1 (800) 446-5539

hinkley.com

GLADIATOR 60" FAN

900460FBN-NID



| PERFORMANCE SPECIFICATIONS | STANDARD | |
|----------------------------|------------|---------------|
| | HIGH SPEED | AVERAGE SPEED |
| Airflow | 6254 | 4670 |
| EnergyUse | 31.2 | 20 |
| EnergyCost | 9 | 6 |
| Efficiency | 200 | 231 |
| AMPS | 0.41 | 0.25 |
| RPMS | 116 | 86 |

AVERAGE PERFORMANCE AND ENERGY INFORMATION

ENERGYGUIDE

Estimated
Yearly Energy Cost
\$6

\$3
|
|
 \$34

Cost Range of Similar Models (19" – 84")

- Based on 12 cents per kWh and 6.4 hours use per day
- Your cost depends on rates and use
- Energy Use: 20 Watts

Airflow
4,670
Cubic Feet Per Minute

- The higher the airflow, the more air the fan will move
- Airflow Efficiency: 231 Cubic Feet Per Minute Per Watt

All estimates based on typical use, excluding lights ftc.gov/energy

Airflow Shown Is a Weighted Average of High and Low Cubic Feet per Minute Based on Downrod